

Titus



# T-type Hinge

Reliable and consistent performance  
throughout cabinet's lifetime

- 3way snap-on mounting
- Highly tolerant
- ConfidentClose
- Consistent performance



## T-type Hinge

T-type hinge is designed for enhanced stability and consistent, and reliable damping of thick, tall and heavy doors.

Its sturdy and highly tolerant design ensures a superior door stability without sagging even for the heaviest doors with a reliable door closing in case of accidental misalignments.

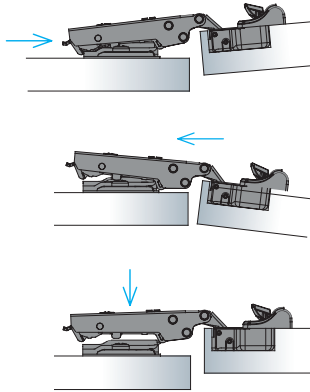
With 3Way snap-on mounting in three directions, mounting on tall and heavy doors with four or more hinges, has never been so quick and easy, thus reducing kitchen assembly time.

T-type is available in nickel plated and two trendy dark finishes, Noir and TeraBlack.



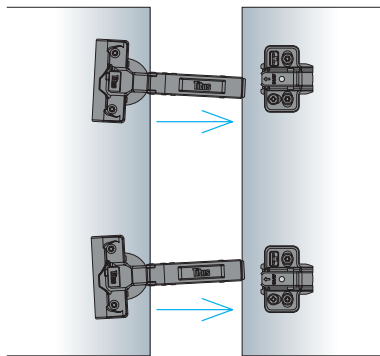
## 3Way snap-on mounting

- Allows for intuitive hinge-to-plate mounting in three directions
- Enhanced mounting experience
- Easy door installation even with multiple hinges per door



## Highly tolerant

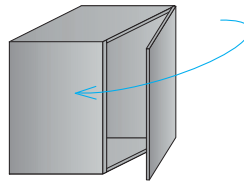
- Efficient performance in marginal values and tolerances
- Reliable door closing in case of accidental misalignment
- Confident close assured



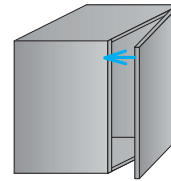
## ConfidentClose

The hinge is designed to provide consumer preferred way of soft closing action\*

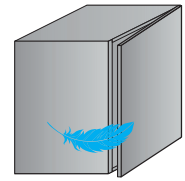
Fast closing



Late start of deceleration action

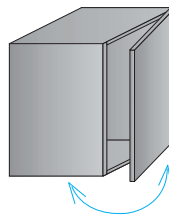


Quiet landing with SoftTouch



## Consistent performance

- T-type delivers a consistent performance for up to 200.000 cycles throughout its lifetime
- On doors of different sizes and weights
- Hinge-to-plate attachment assures rigidity and stability



\* based on results of Titus research made in UK, Germany and Slovenia





## Proven concept of soft closing in the hinge cup

- Damper is positioned transversal on the hinge cup
- Intuitive damping adjustment



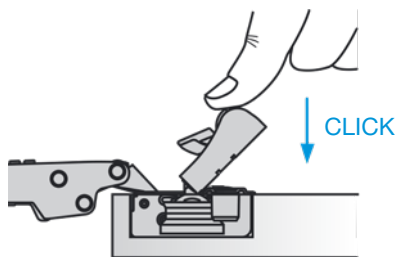
Titus  
damper  
inside

NEW

# T-type PressTo

## Quick and easy tool-less mounting

- Reliable attachment to the door in chipboard, MDF and solid wood
- Effortless snap-on locking
- Confident locking action
- Paired with 3Way hinge-to-plate mounting for the fastest cabinet assembly

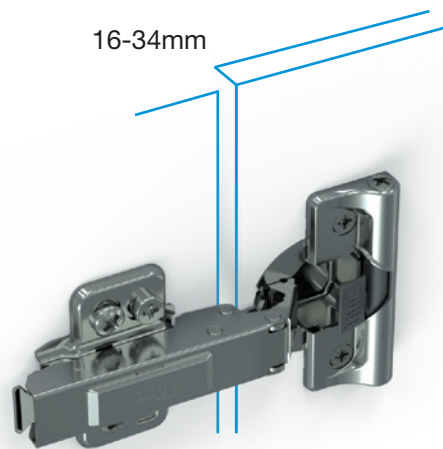


# T-type 95



## Thick door hinge kinematics with 95° opening

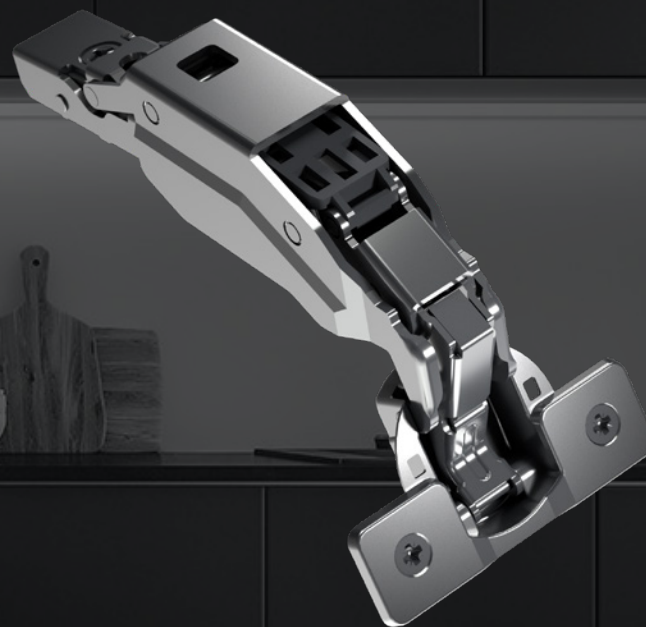
- Optimized opening and closing of doors with thickness up to 34mm
- Narrow reveals between doors
- Reliable and consistent performance on various door sizes and weights





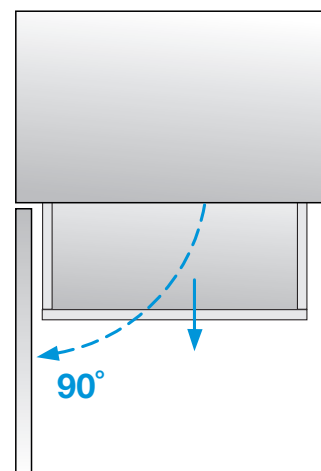
**NEW**

## T-type-i 170



### Wide opening angle hinge with integrated damper

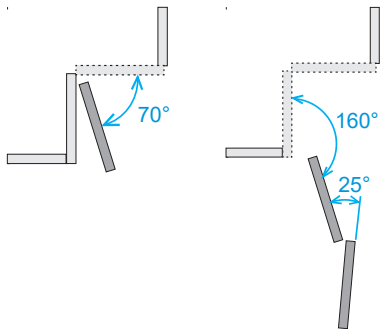
- Exceptional stability and full accessibility to the cabinet
- Zero door protrusion at 90° door opening
- Optimal solution for kitchen pantry units with inner drawers or pull-out systems



# T-type Pie-cut corner cabinet

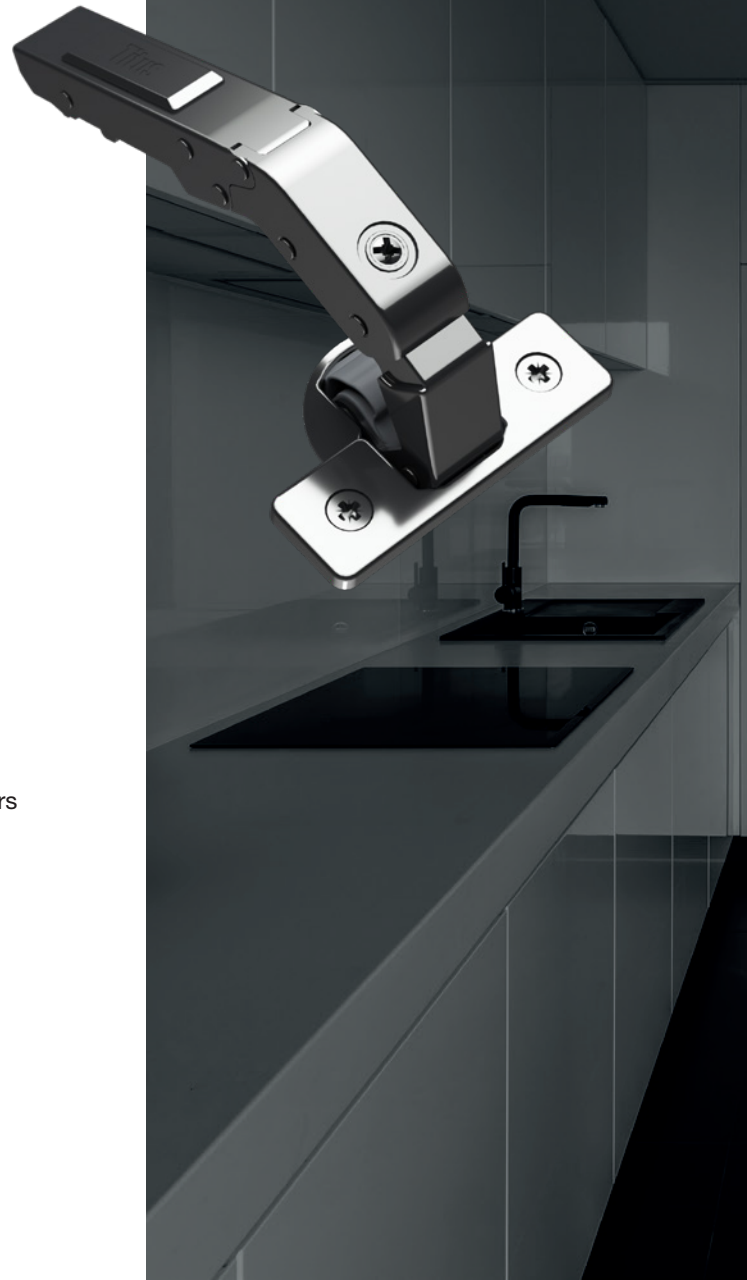
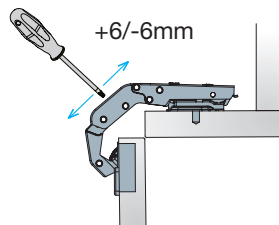
## Double lock hinge opening

- Easier handling and reliable door opening
- Full access into the cabinet interior at 70° opening
- When both doors are opened and locked at 25°, they work as one and move away from user's working space without hitting nearby cabinets



## Easy door alignment

- Cam adjustment screw
- Easy door alignment and optimal performance on doors from 15 to 25mm



# Wide range of mounting plates

- Cam adjustable cruciform mounting plate



- Cruciform mounting plate



- Cam adjustable linear mounting plate



- Cam adjustable face frame mounting plate



## Technical details

Hinge type	with and without damping
Opening angle	95°, 110°, 120°, 170°
Hinge cup drilling depth	12mm
Hinge cup drilling pattern	45/9.5mm, 48/6mm
Hinge constant	13mm
Door tab K	3-6mm
Maximum overlay	20mm
Hinge arms	0mm, 5mm, 9mm, 17mm
Hinge cup fixing	screw-on, euro screws, wood screws, dowels for machine insertion, PressTo tool-less, expando dowels, EasyFix
Mounting plates fixing	screw-on, euro screws, wood screws, dowels for machine insertion, expando dowels

**Titus+**

**Titus Group / [titusplus.com](https://titusplus.com)**

