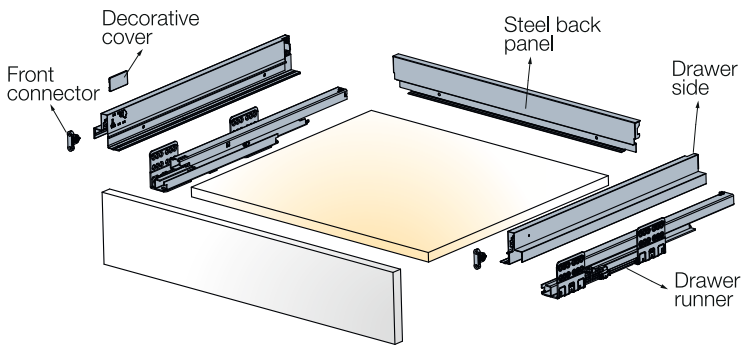
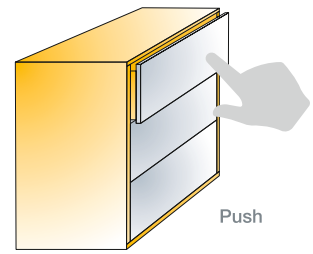


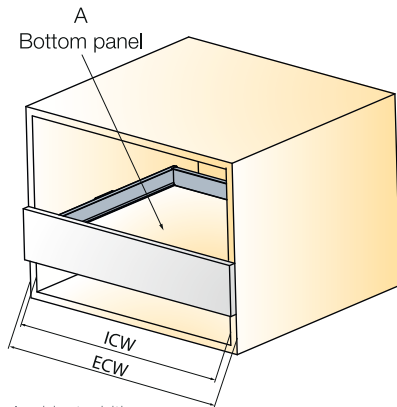
Tekform Drawer DW45

Shallow Drawer

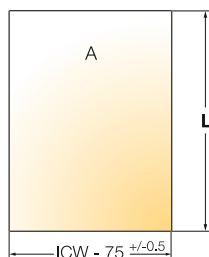
Touch Opening Ready



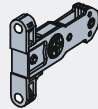





Cutting dimensions details



ECW: External cabinet width
 ICW: Internal cabinet width
 NL: Nominal length of drawer
 L_{st}: Length in case of steel back panel



L_{st}: NL - 20
 For further explanation
 see Furniture Fitting Systems
 page 3.8

Nominal length (mm)	with Screw-in front connector 	Color	
		White	Antracite
450	655-8046	150	185
500	655-8047	150	185
To be ordered separately Steel back panel			
600*	655-7273	150	185
* cabinet side thickness 18mm			
One set consists of			
Drawer sides		2 pcs	
Drawer runners		2 pcs	
*Front connectors		2 pcs	
Covers		2 pcs	
Mounting instructions		1 pc/4 sets	

Screws are not included

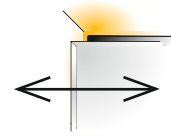
Touch opening



Tacto Slimline Mechanism
 → see Furniture Fitting Systems
 page 3.47

- Drawer runner type
- Load capacity
- Minimum height space required
- Back panel
- Wooden bottom panel thickness

full extension
40 kg
76mm
steel
16mm



Side
adjustment
+1/-1mm

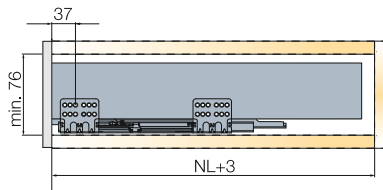
For further explanation → see
Furniture Fitting Systems
page 3.10



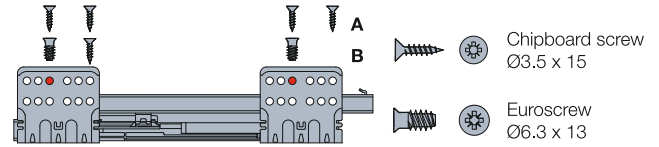
Works with or without
Tacto Slimline Mechanism
→ see Furniture Fitting Systems
page 3.47

Installation dimensions

Minimum space required for the
cabinet

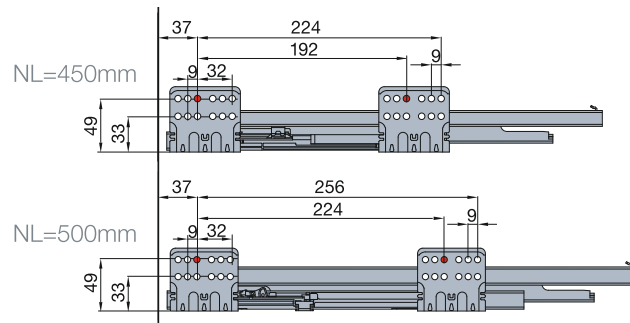
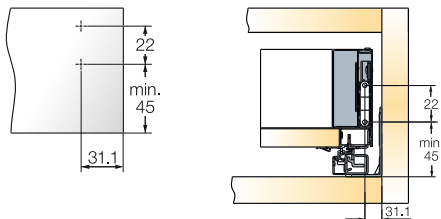


Drawer runner fixing positions



Drilling dimensions for the front panel

Screw-in attachment



A trial mounting is always recommended.
For further information please contact your
Titus Group representative.