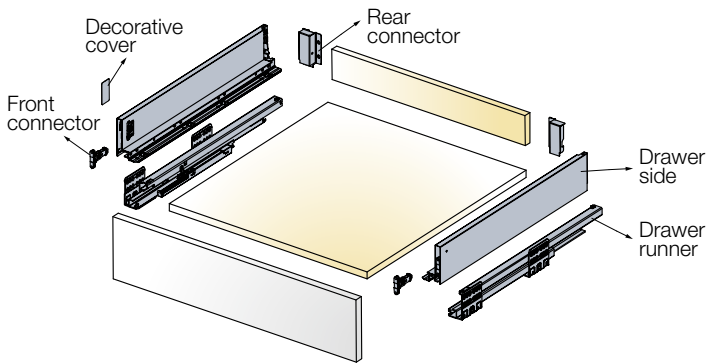
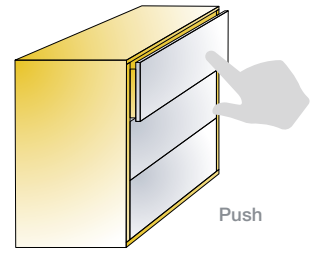
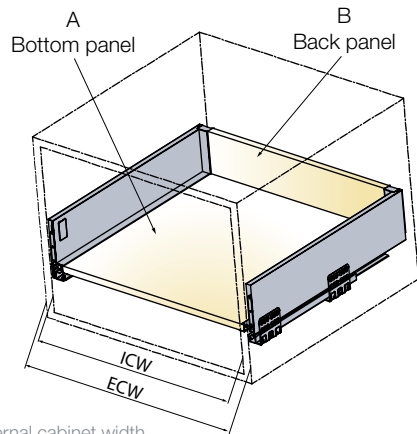


Tekform Slimline Tacto Drawer DW70

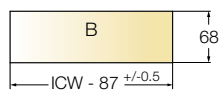
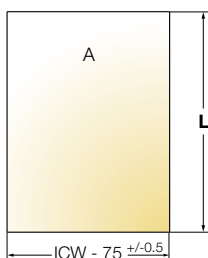
Touch Opening System



Cutting dimensions details

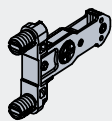
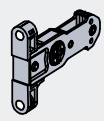








ECW: External cabinet width
 ICW: Internal cabinet width
 NL: Nominal length of drawer
 L_{st}: Length in case of steel back panel



L = NL - 10
 L_{st}: NL - 20
 For further explanation → see page 3.8



NL	with EasyFix front connector	with Screw-in front connector	White
Nominal length (mm)			
	Item number for a set	Item number for a set	
400	655-8T61 →	655-8E61 →	150
450	655-8T62 →	655-8E62 →	150
500	655-8T63 →	655-8E63 →	150
550	655-8T64 →	655-8E64 →	150
One set consists of			
Drawer sides			2 pcs
Drawer runners			2 pcs
*Front connectors			2 pcs
Rear connectors			2 pcs
Covers			2 pcs
			2 pcs
Mounting instructions			1 pc/4 sets

Screws are not included

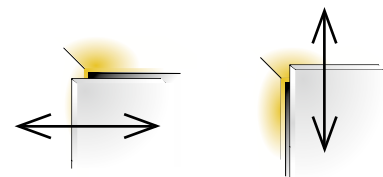
Touch opening



Tacto Slimline Mechanism
 → see page 3.47

- Drawer runner type
- Load capacity
- Minimum height space required
- Wooden back panel thickness
- Wooden bottom panel thickness

full extension
40 kg
115mm
16mm
16mm



Side adjustment
+1/-1mm

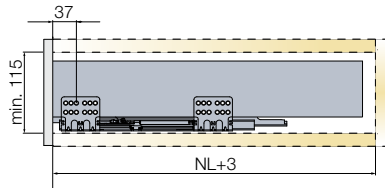
Height adjustment
+2/-2mm

For further explanation → see page 3.10

i Works only with Tacto Slimline Mechanism
→ see page 3.47

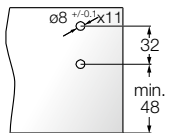
Installation dimensions

Minimum space required for the cabinet

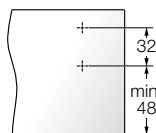


Drilling dimensions for the front panel

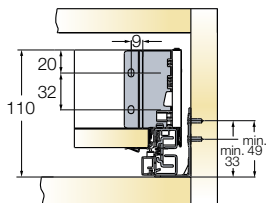
EasyFix attachment



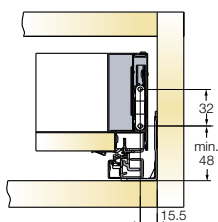
Screw-in attachment



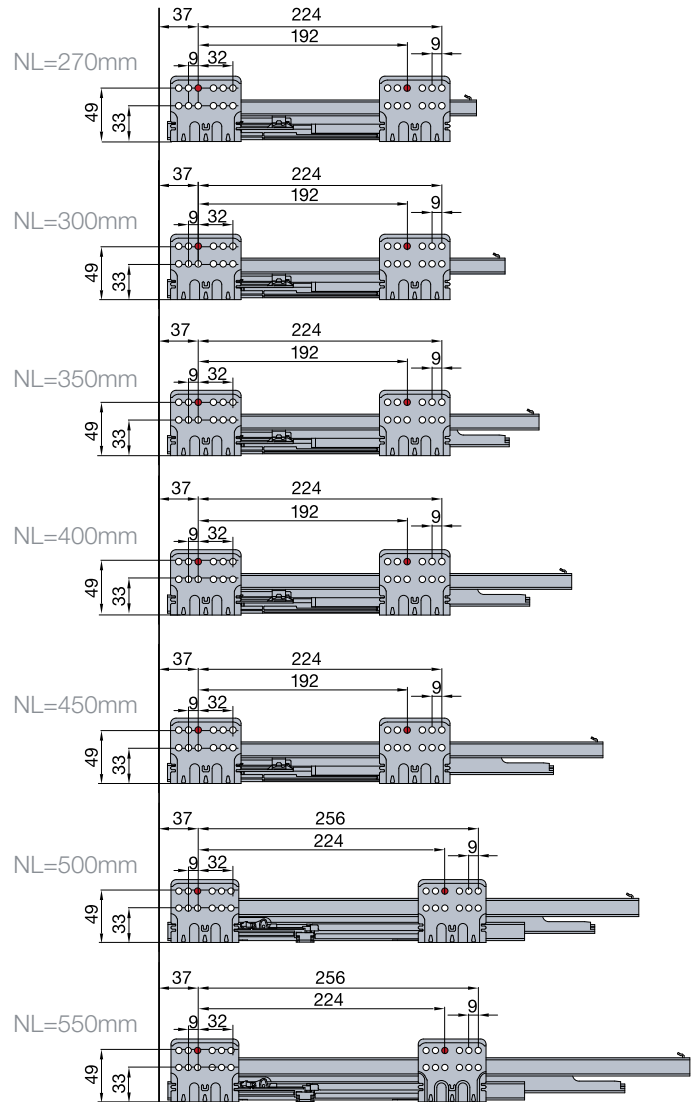
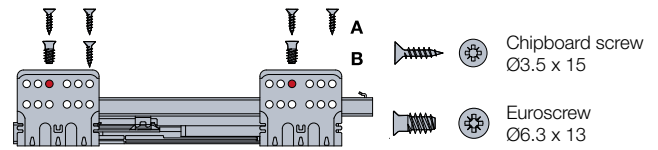
Mounting dimensions for the back panel



Installation dimensions for the front panel

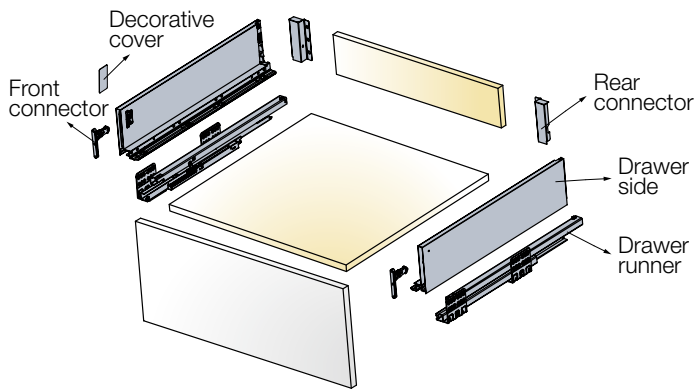
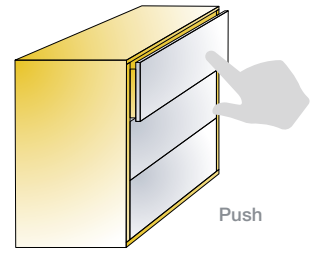


Drawer runner fixing positions

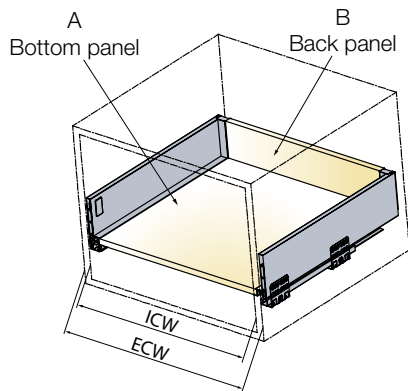


A trial mounting is always recommended.
For further information please contact your Titus Group representative.

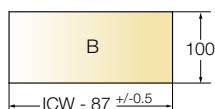
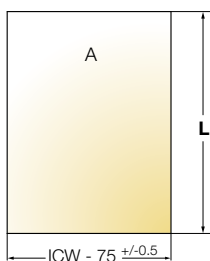
Tekform Slimline Tacto Drawer DW100 Touch Opening System



Cutting dimensions details



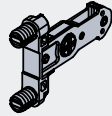
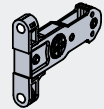






ECW: External cabinet width
ICW: Internal cabinet width
NL: Nominal length of drawer



$L = NL - 10$
For further explanation → see page 3.8



4 sets

NL	with EasyFix front connector	with Screw-in front connector	White
Nominal length (mm)			
	Item number for a set	Item number for a set	
400	655-8U61 →	655-8F61 →	150
450	655-8U62 →	655-8F62 →	150
500	655-8U63 →	655-8F63 →	150
550	655-8U64 →	655-8F64 →	150
One set consists of			
Drawer sides		2 pcs	
Drawer runners		2 pcs	
*Front connectors		2 pcs	
Rear connectors		2 pcs	
Covers		2 pcs	
Mounting instructions		1 pc/4 sets	

Screws are not included

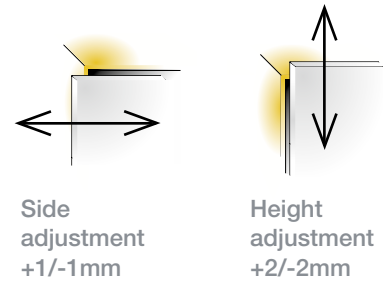
Touch opening



Tacto Slimline Mechanism
→ see page 3.47

- Drawer runner type
- Load capacity
- Minimum height per drawer required
- Wooden back panel thickness
- Wooden bottom panel thickness

full extension
40 kg
147mm
16mm
16mm

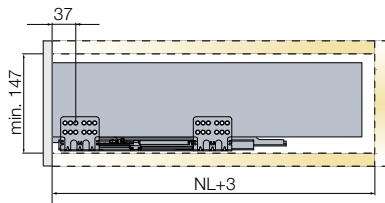


For further explanation → see page 3.10

i Works only with Tacto Slimline Mechanism
→ see page 3.47

Installation dimensions

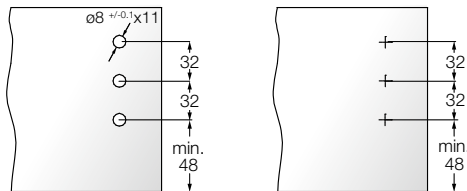
Minimum space required for the cabinet



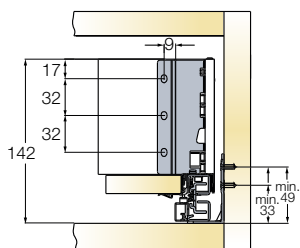
Drilling dimensions for the front panel

EasyFix attachment

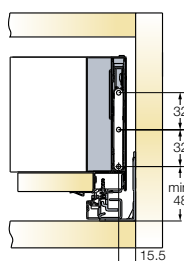
Screw-in attachment



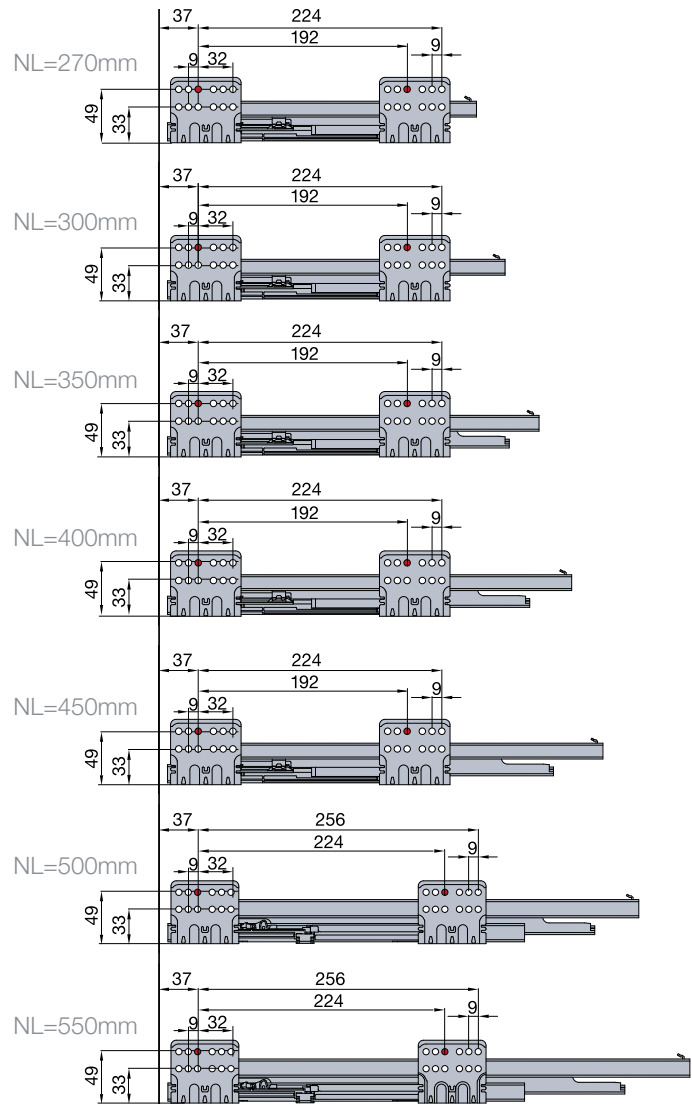
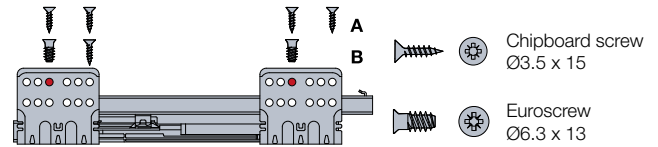
Mounting dimensions for the back panel



Installation dimensions for the front panel

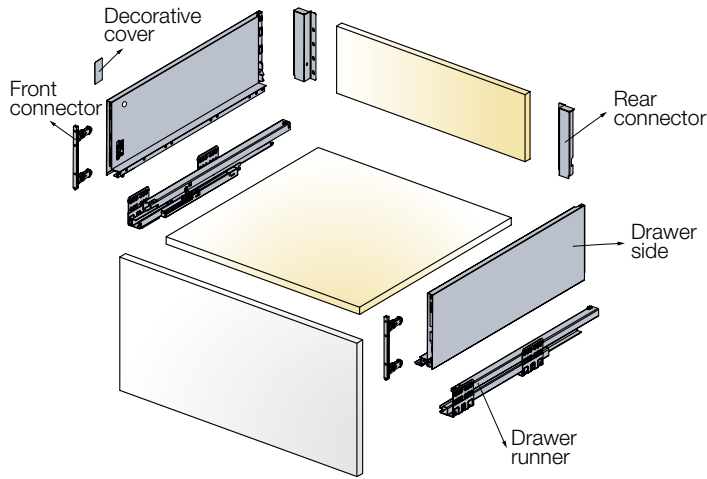
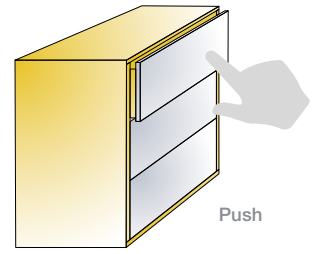


Drawer runner fixing positions

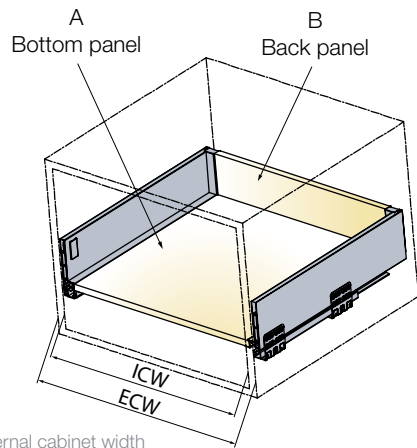


A trial mounting is always recommended.
For further information please contact your Titus Group representative.

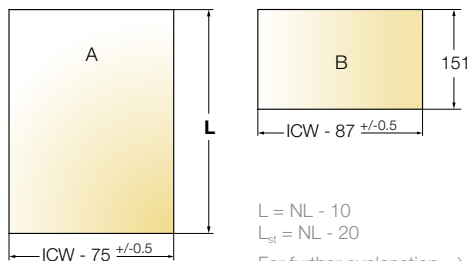
Tekform Slimline Tacto Drawer DW145 Touch Opening System



Cutting dimensions details



ECW: External cabinet width
ICW: Internal cabinet width
NL: Nominal length of drawer
L_{st}: Length in case of steel back panel



4 sets

NL	with EasyFix front connector	with Screw-in front connector	White
Nominal length (mm)	Item number for a set	Item number for a set	
400	655-8V61 →	655-8G61 →	150
450	655-8V62 →	655-8G62 →	150
500	655-8V63 →	655-8G63 →	150
550	655-8V64 →	655-8G64 →	150
One set consists of			
Drawer sides			2 pcs
Drawer runners			2 pcs
*Front connectors			2 pcs
Rear connectors			2 pcs
Covers			2 pcs 2 pcs
Mounting instructions			1 pc/4 sets

Screws are not included

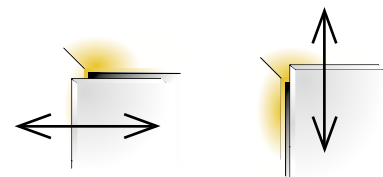
Touch opening



Tacto Slimline Mechanism
→ see page 3.47

- Drawer runner type
- Load capacity
- Minimum height per drawer required
- Wooden back panel thickness
- Wooden bottom panel thickness

full extension
40 kg
198mm
16mm
16mm



Side adjustment
+1/-1mm

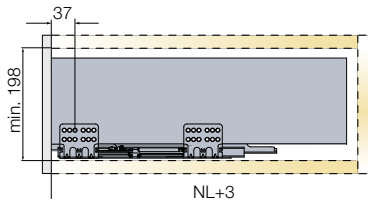
Height adjustment
+2/-2mm

For further explanation → see page 3.10

i Works only with Tacto Slimline Mechanism
→ see page 3.47

Installation dimensions

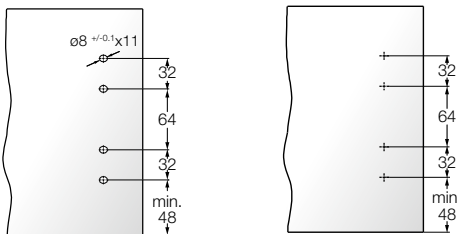
Minimum space required for the cabinet



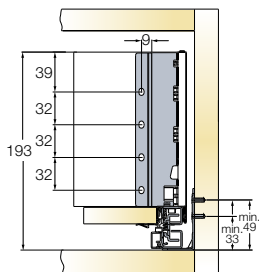
Drilling dimensions for the front panel

EasyFix attachment

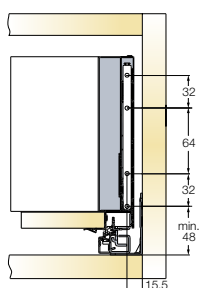
Screw-in attachment



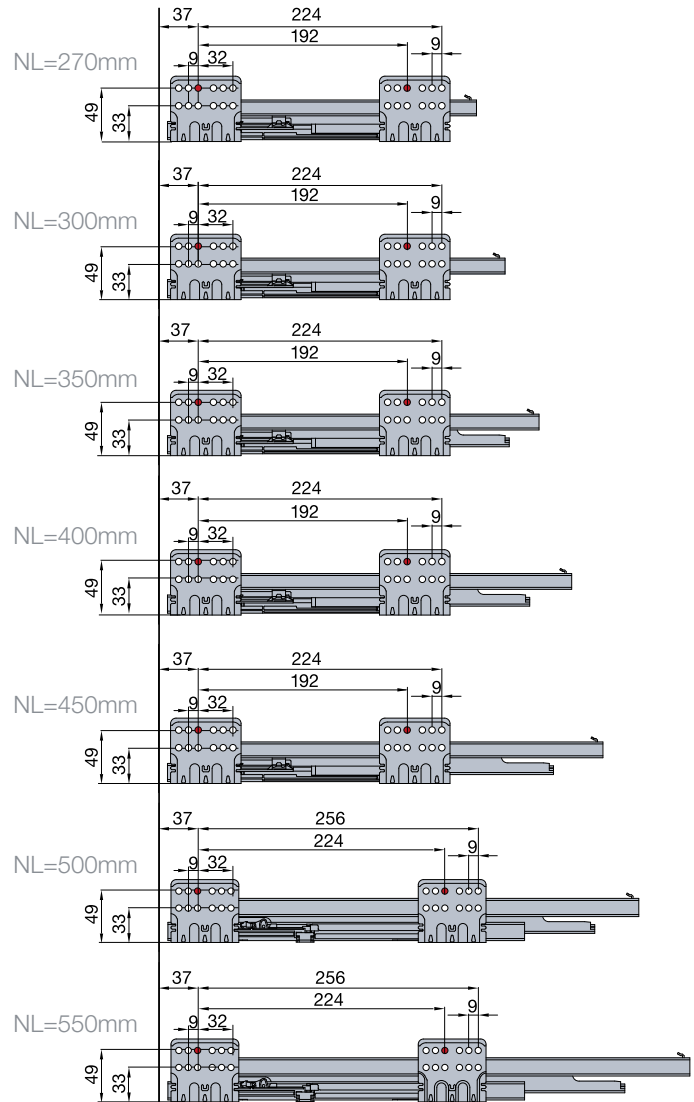
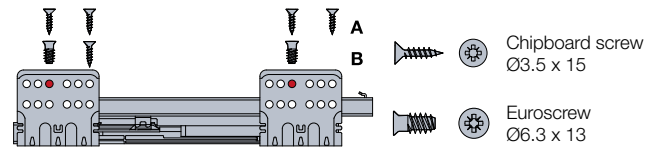
Mounting dimensions for the back panel



Installation dimensions for the front panel



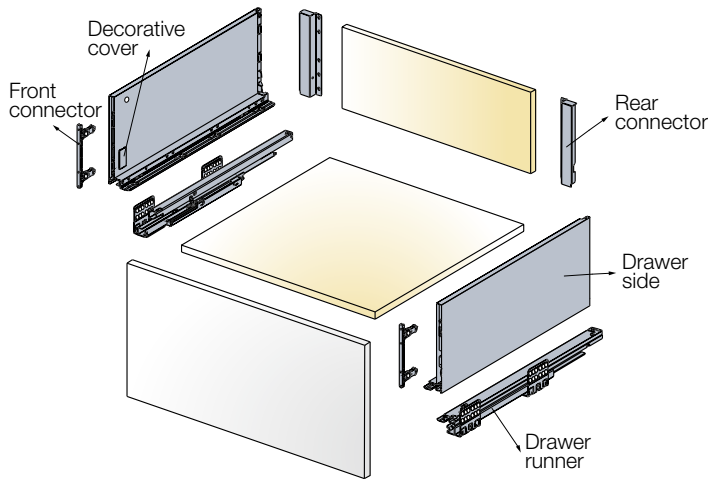
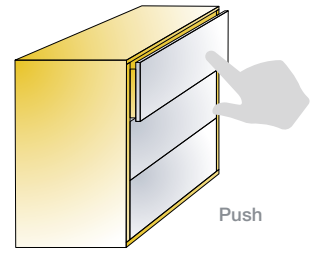
Drawer runner fixing positions



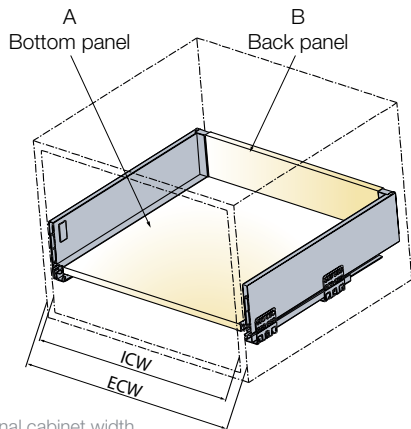
A trial mounting is always recommended.
For further information please contact your Titus Group representative.

Tekform Slimline Tacto Drawer DW182

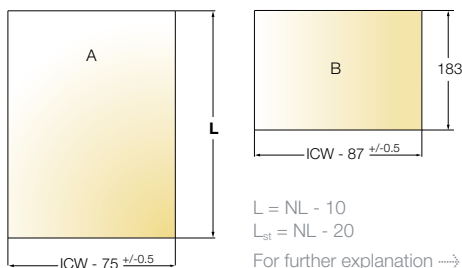
Touch Opening System

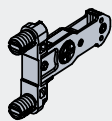
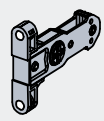








Cutting dimensions details



ECW: External cabinet width
 ICW: Internal cabinet width
 NL: Nominal length of drawer
 L_{st}: Length in case of steel back panel



NL	with EasyFix front connector	with Screw-in front connector	White
Nominal length (mm)			
	Item number for a set	Item number for a set	
400	655-8Z61 →	655-8H61 →	150
450	655-8Z62 →	655-8H62 →	150
500	655-8Z63 →	655-8H63 →	150
550	655-8Z64 →	655-8H64 →	150

One set consists of		
Drawer sides		2 pcs
Drawer runners		2 pcs
*Front connectors		2 pcs
Rear connectors		2 pcs
Covers		2 pcs 2 pcs
Mounting instructions		1 pc/4 sets

Screws are not included

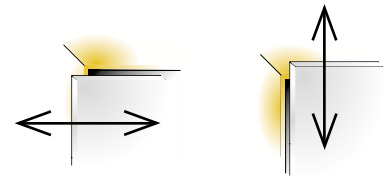
Touch opening



Tacto Slimline Mechanism
 → see page 3.47

- Drawer runner type
- Load capacity
- Minimum height per drawer required
- Wooden back panel thickness
- Wooden bottom panel thickness

full extension
40kg
230mm
16mm
16mm



Side adjustment
+1/-1mm

Height adjustment
+2/-2mm

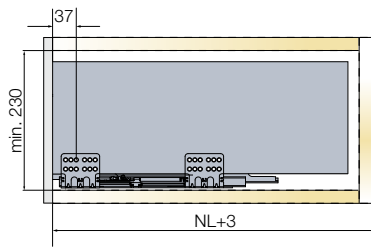
For further explanation → see page 3.10

i Works only with Tacto Slimline Mechanism
→ see page 3.47

Installation dimensions

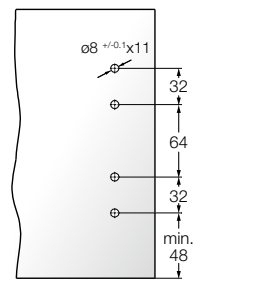
Drawer runner fixing positions

Minimum space required for the cabinet

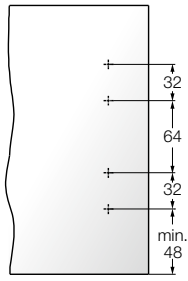


Drilling dimensions for the front panel

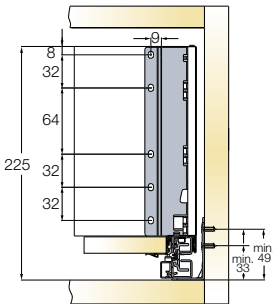
EasyFix attachment



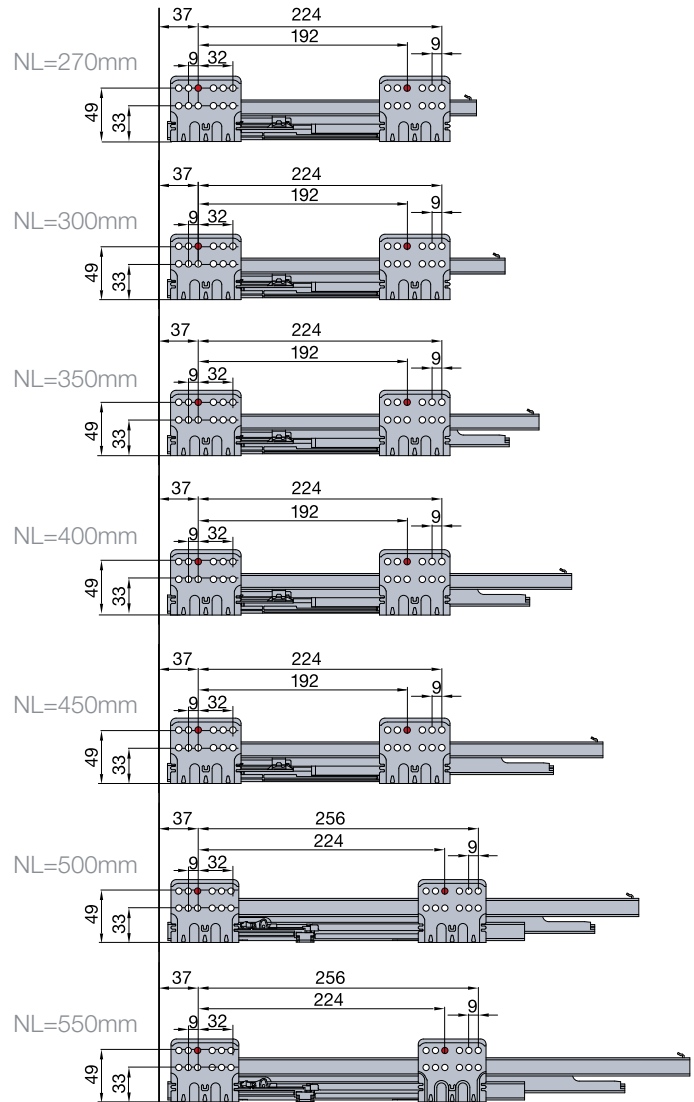
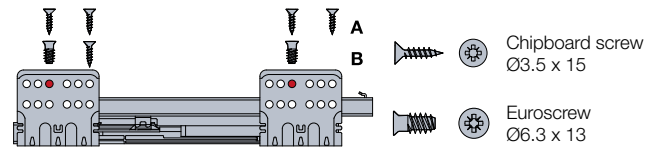
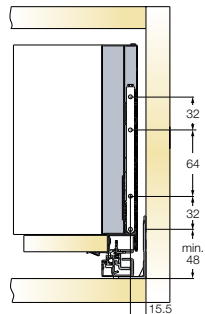
Screw-in attachment



Mounting dimensions for the back panel



Installation dimensions for the front panel

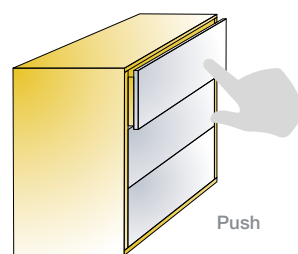


A trial mounting is always recommended.
For further information please contact your Titus Group representative.

Accessories

Tacto Slimline Mechanism

Touch Opening



Technical details

Item number

Zinc plated

655-9152

040

Set of 2 mechanisms (one drawer application):
655-9152-040-K1

PushOpen
Mechanism



2 pcs

Chipboard
screws

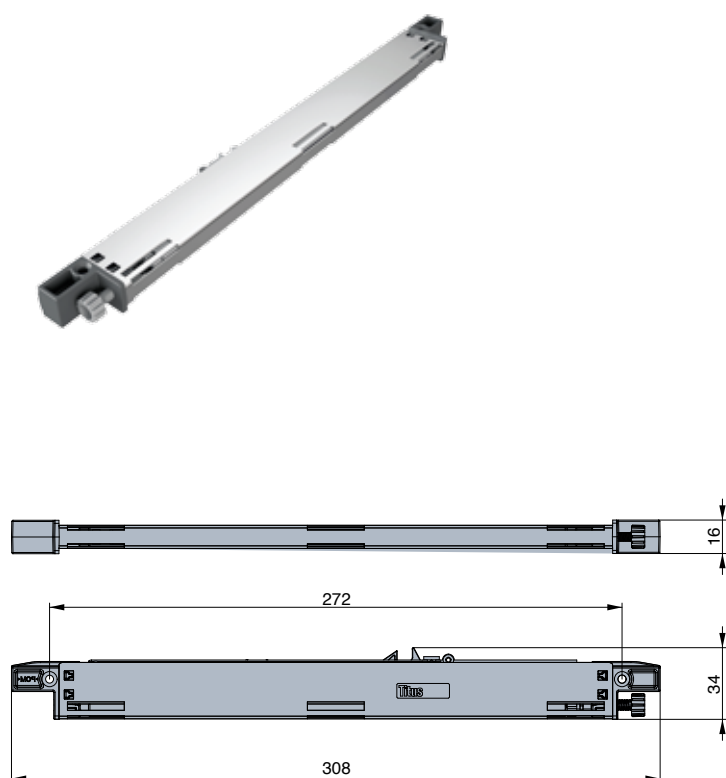


4 pcs

Mounting
instructions



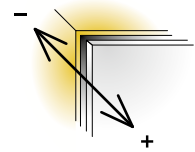
1 pc/set



30 sets

Made of steel and plastic

- Fast and intuitive mounting without pre-drilling
- Reliable and secure closing
- Non handed design
- Narrow 1.5mm operating gap for evenly aligned fronts

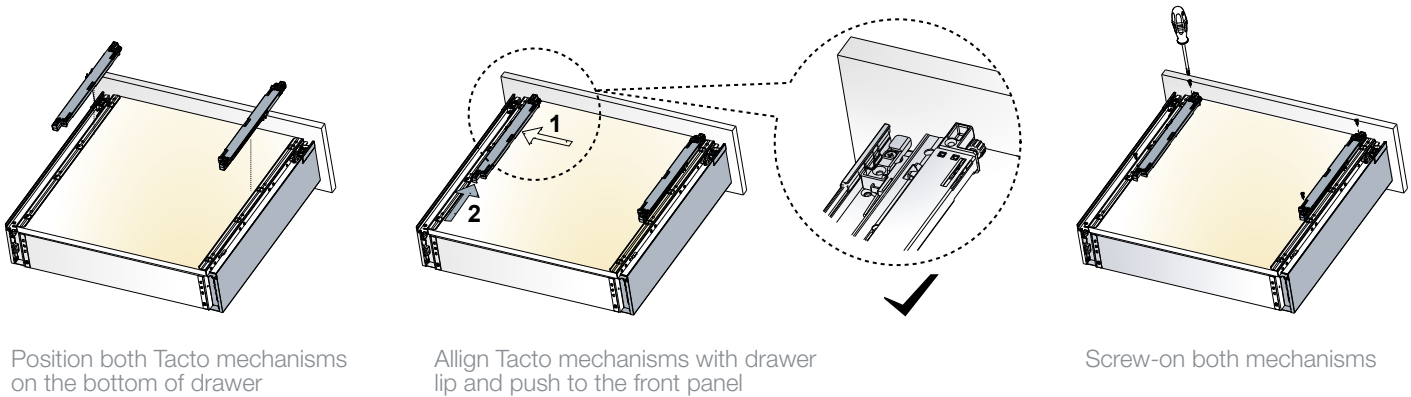


Depth adjustment
-0.5/+2.5mm



Works only with Tacto Slimline
→ see page 3.47

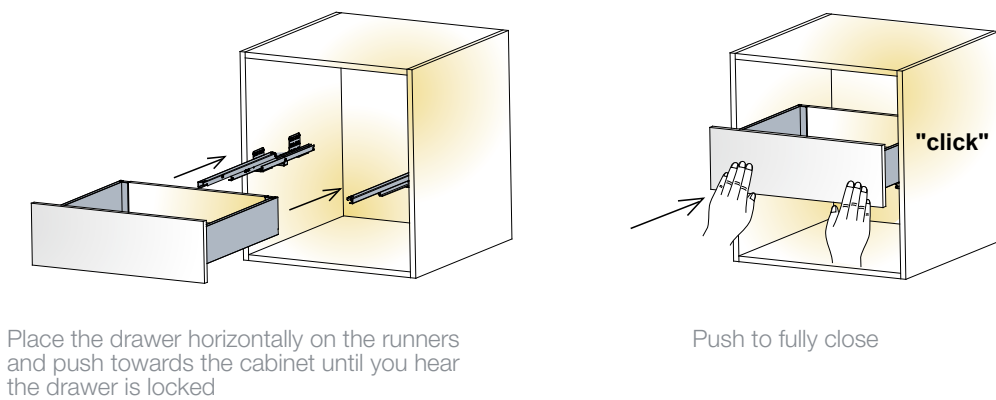
Mounting details



Position both Tacto mechanisms on the bottom of drawer

Align Tacto mechanisms with drawer lip and push to the front panel

Screw-on both mechanisms



Place the drawer horizontally on the runners and push towards the cabinet until you hear the drawer is locked

Push to fully close

Depth adjustment

