

**Titus**



**Tekform  
Slimline  
Drawer**

**2020**



# Important Information

## Technical information

While every effort has been made in the production of this catalogue to ensure the accuracy of information, our products are continually being revised and users should confirm the up to date specification before ordering. Due to constant improvement of products presented in the catalogue, we can make changes at any time and without notice.

## Responsibility

It is the responsibility of the user to ensure the fitness of hardware for the intended purpose. We recommend assessment by appropriate testing in the application and by technical enquiry to our representatives.

## Intellectual property

Titus Group owns the intellectual property rights in its products worldwide whether as trademarks, patents, intellectual, copyright, designs, illustrations, drawings and the 'know how' contained in their design and production. Titus Group respects the equivalent rights in competitors and all other relevant product design rights. To our knowledge our products do not infringe any intellectual property rights of competitors or other parties. Titus Group takes infringements of its rights seriously and will rigorously defend these rights to the full extent of the law.

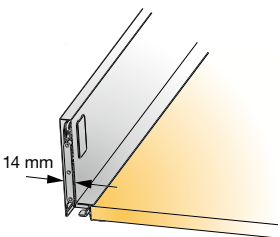
## \*Non preferred articles

All Item numbers in the catalogue marked with \* are for non preferred items available on extended delivery times.

## Trademarks

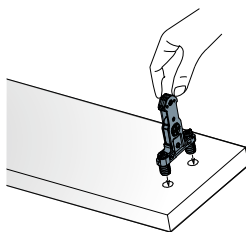
Titus and Titusonic are registered trademarks of Titus International Ltd. Titus Technologies is a registered trademark of Titus d.o.o. Dekani, WoodWelding is a registered trademark of WW SA.

# Tekform Slimline Drawer



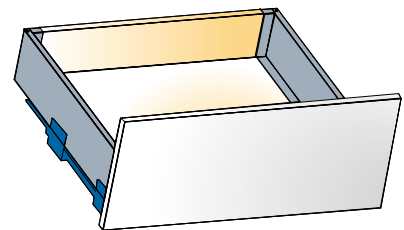
## Sleek look

- 14mm side thickness
- Efficient utilisation of drawer space



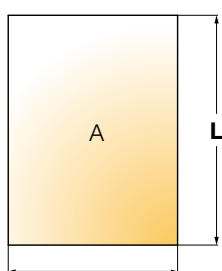
## 'EasyFix' front panel connector

- Hand insertion
- Quarter turn lock
- Repeatable assembly and disassembly possible



## Flexibility in use

- Same runner system as 1<sup>st</sup> generation Tekform drawer
- Same panel cutting dimensions and drilling specification as 1<sup>st</sup> generation Tekform drawer



bottom panel width  
tolerance +/- 1mm



### Expanded tolerances

- Precise drawer alignment
- Smooth and silent operating
- Improved drawer stability in open position
- +/-1mm tolerance on bottom panel width size

### Titus damper inside

- Life-long consistent soft closing at various closing speeds
- 'ConfidentClose' - fast closing, late start of damping, quiet landing
- Low pull-out force

### Quality certified

- By European specialized institutions

# Tekform Slimline Drawer

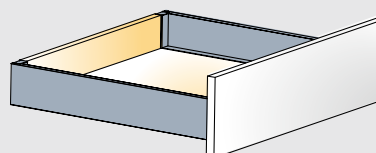
## Product Guide

Page

### Tekform Slimline Drawer

Side type

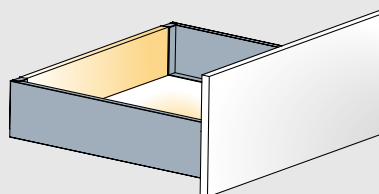
Tekform Slimline drawer DW70



Metal 14

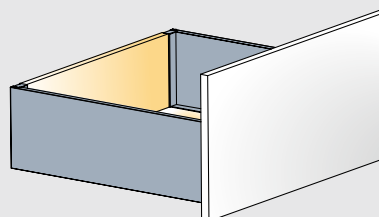
Glass 16

Tekform Slimline drawer DW100



Metal 18

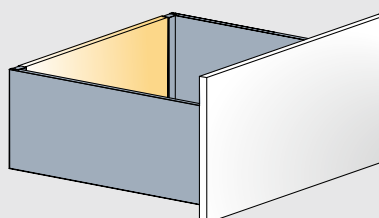
Tekform Slimline drawer DW145



Metal 20

Glass 22

Tekform Slimline drawer DW182

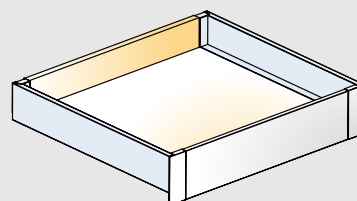


Metal 24

Glass 26

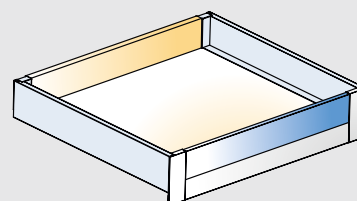
### Inner Slimline Drawer Fronts

Inner drawer front for  
Tekform Slimline drawer  
DW70



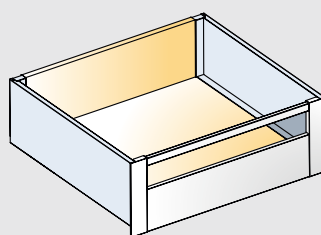
28

Inner drawer front for  
Tekform Slimline drawer  
DW70 with glass



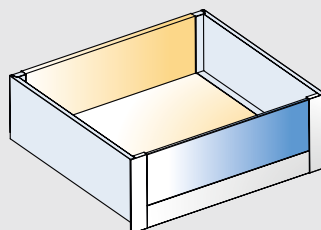
30

Inner drawer front for  
Tekform Slimline Drawer  
DW145 with bar



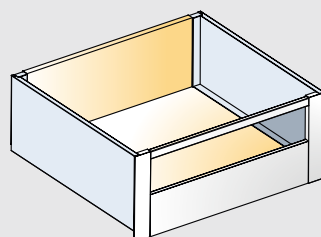
32

Inner drawer front for  
Tekform Slimline drawer  
DW145 with high glass



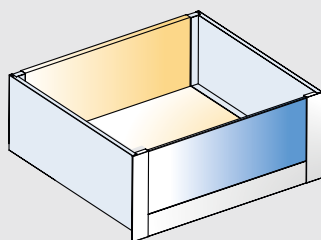
34

Inner drawer front for  
Tekform Slimline drawer  
DW182 with bar



36

Inner drawer front for  
Tekform Slimline drawer  
DW182 with high glass



38

# Tekform Slimline Drawer Information

## Technical Guide

### How to choose the appropriate drawer dimension?

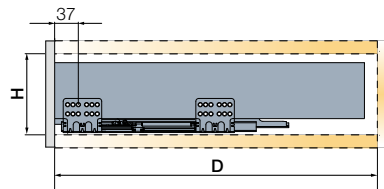
Select the drawer size based on available cabinet space. Please refer to the chart below with indicated minimum space

required in cabinet to choose appropriate drawer system.

Tekform drawer nominal length (NL) inmm

NL	270	300	350	400	450	500	550
----	-----	-----	-----	-----	-----	-----	-----

	Tekform drawer		Tekform drawer with inner front	
	Min. height H required	Cabinet depth D	Min. height H required	Cabinet depth D
<b>Tekform Slimline drawer DW70</b>	115mm	NL + min 3mm	115mm	NL + min 12mm
<b>Tekform Slimline drawer DW100</b>	147mm	NL + min 3mm	/	/
<b>Tekform Slimline drawer DW145</b>	198mm	NL + min 3mm	198mm	NL + min 12mm
<b>Tekform Slimline drawer DW182</b>	230mm	NL + min 3mm	230mm	NL + min 12mm



### How to fix drawer sides to the front panel?

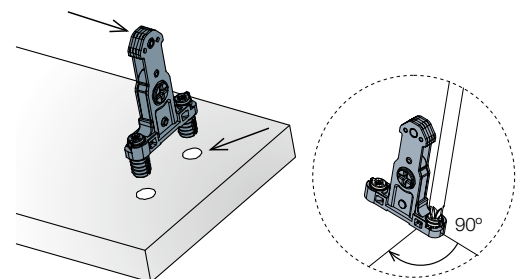


#### 'EasyFix' front connector

The Tekform drawer is available with 'EasyFix' or screw-in front connectors

- hand insertion
- quarter turn locking system
- expandable plastic dowel
- easy assembly and disassembly of front panel

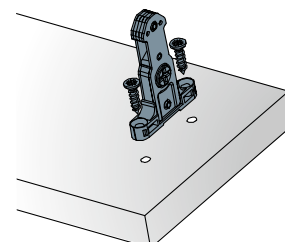
Front connector



#### Screw-in front connector

- reliable connection
- fixing with Ø3.5x15mm screw (screws are not included)

Front connector





### Bottom panel and back panel cutting dimensions

Dimensions of bottom and back panel depends on:

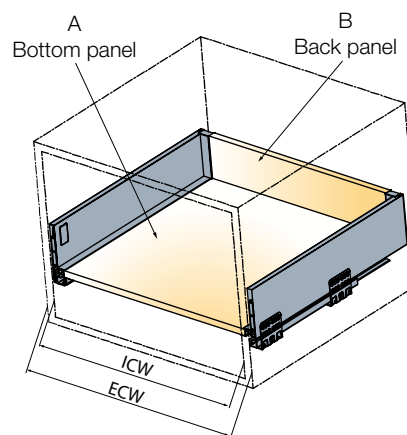
- cabinet width
- nominal drawer length
- drawer height

Tekform drawer nominal length (NL) inmm

NL	270	300	350	400	450	500	550
----	-----	-----	-----	-----	-----	-----	-----

Cabinet width

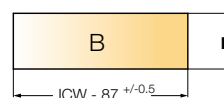
ECW: External cabinet width  
ICW: Internal cabinet width  
NL: Nominal length of drawer



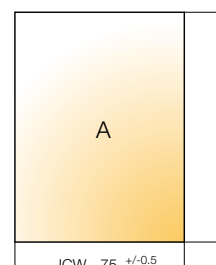
### Back panel cutting dimensions

Back panel height depends on the selected drawer height

	H back panel
<b>SDWD70</b>	68
<b>SDWD100</b>	100
<b>SDWD145</b>	151
<b>SDWD182</b>	183



### Bottom panel cutting dimensions



NL	270	300	350	400	450	500	550
<b>L</b>	260	290	340	390	440	490	540
<b>L<sub>st</sub></b>	250	280	330	380	430	480	530

NL = Tekform drawer nominal length (mm)  
L<sub>st</sub>: Length in case of steel back panel

# Tekform Slimline Drawer Information

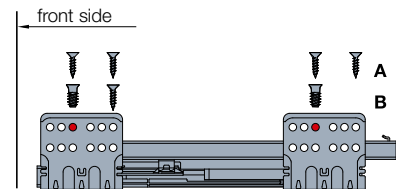
## Technical Guide

**How to choose the appropriate drawer runner fixing positions?**

Drawer fixing positions depend on the chosen drawer front type.

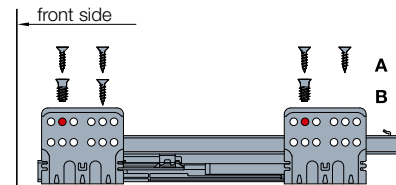
**Tekform Slimline drawer with standard front**

When a standard drawer front is applied, use the third hole on the drawer runner for fixing.



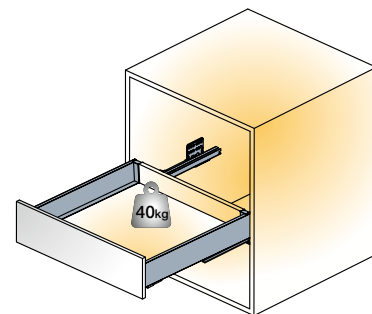
**Tekform Slimline drawer with inner front**

When an inner drawer front is applied, use the second hole on the drawer runner for fixing.



**Load capacity**

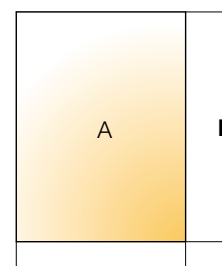
Drawer load capacity is 40 kg.



**Expanded tolerances**

Tekform drawers provide wider tolerances in cabinet construction and assures:

- precise drawer alignment
- smooth and silent operating
- Improved drawer stability in open position
- Tekform drawer provides tolerance of +/-1mm on bottom panel width size



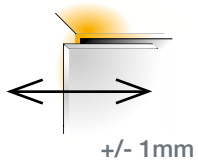
bottom panel width tolerance +/- 1mm



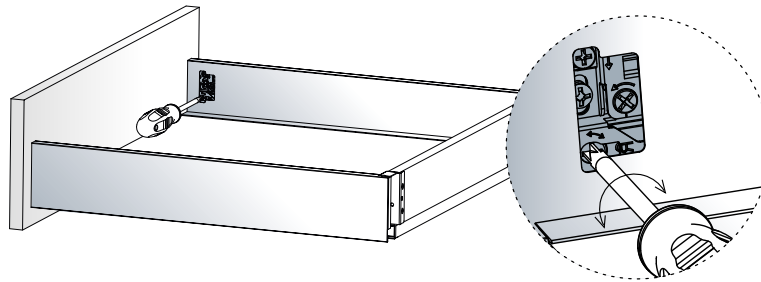
Adjustment needs to be done on both sides of the drawer

## Adjustments

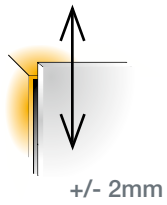
### Side adjustment



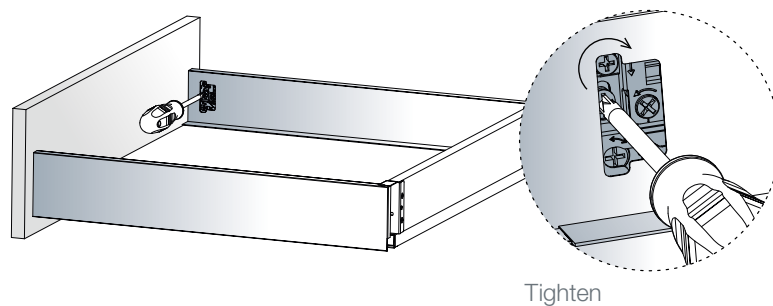
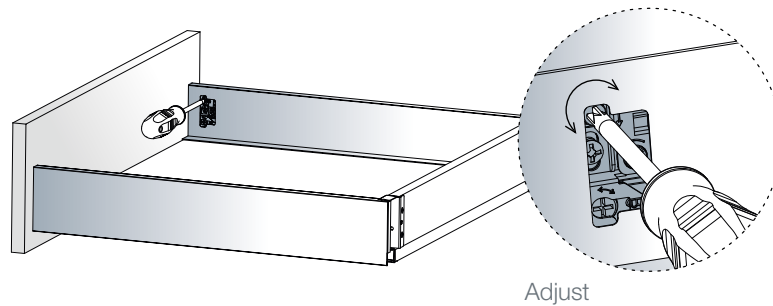
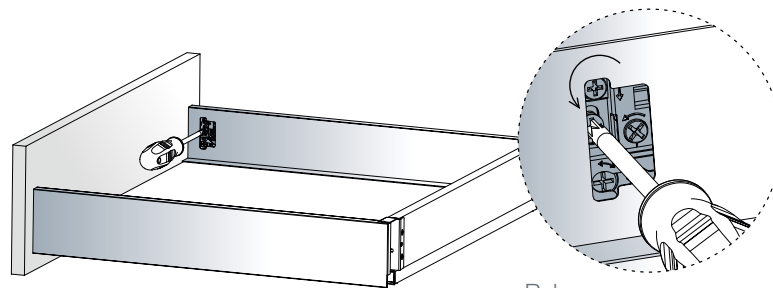
Side adjustment is done through the adjustment screw on the drawer side.



### Height adjustment



Release first the locking screw and tighten it back after the front is adjusted.

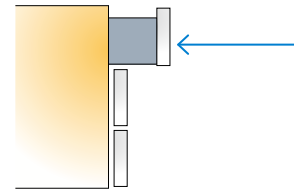


# Tekform Slimline Drawer Information

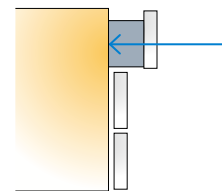
## Key Design Choices

'ConfidentClose'

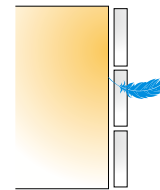
Fast closing



Late start of damping



Quiet landing

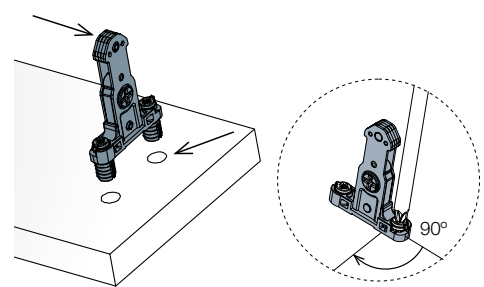


CAF Consumer Assembly Friendliness

'EasyFix' front panel connector with expandable plastic dowel provides:

- Quick, tool-free insertion
- Quarter turn lock
- Repeatable assembly and disassembly

Front connector



Titus hydraulic damper

Designed and produced in-house

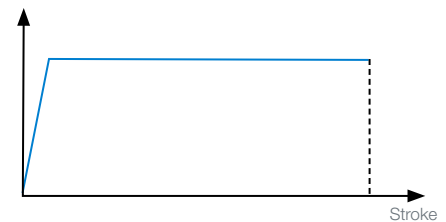
- Reliable and consistent life-long damping
- Smooth closing
- Dampers' consistency over high volume production runs assured
- 100% automated quality check



Damping action

Even and smooth soft closing action  
· Soft and reliable closing

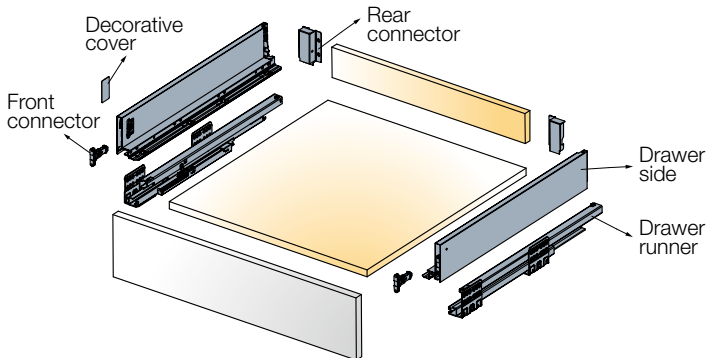
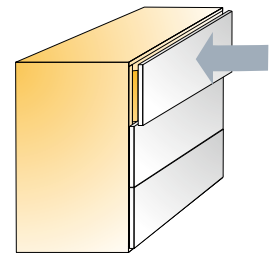
Damping force



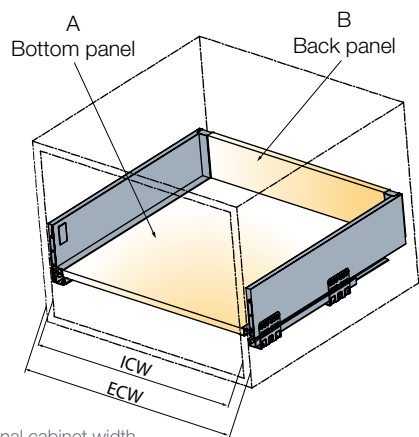
Flat damping curve shows the uniform action produced during damper closing at a defined speed.



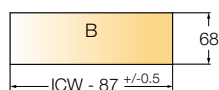
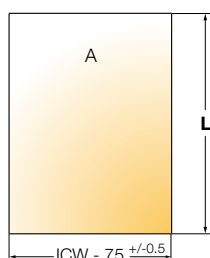
# Tekform Slimline Drawer DW70



## Cutting dimensions details



ECW: External cabinet width  
 ICW: Internal cabinet width  
 NL: Nominal length of drawer  
 L<sub>st</sub>: Length in case of steel back panel



$L = NL - 10$   
 $L_{st} = NL - 20$   
 For further explanation → see page 9



4 sets

NL	with EasyFix front connector	with Screw-in front connector	White	Antracite grey
Nominal length (mm)	Item number for a set	Item number for a set	White	Antracite grey
270	655-8T27 →	655-8E27 →	150	185
300	655-8T30 →	655-8E30 →	150	185
350	655-8T35 →	655-8E35 →	150	185
400	655-8T40 →	655-8E40 →	150	185
450	655-8T45 →	655-8E45 →	150	185
500	655-8T50 →	655-8E50 →	150	185
550	655-8T55 →	655-8E55 →	150	185

## One set consists of

Drawer sides 2 pcs



Drawer runners 2 pcs



\*Front connectors 2 pcs



Rear connectors 2 pcs



Covers 2 pcs



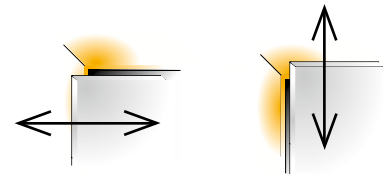
Mounting instructions 1 pc/4 sets



Screws are not included

- Drawer runner type
- Load capacity
- Minimum height space required
- Wooden back panel thickness
- Wooden bottom panel thickness

full extension  
40 kg  
115mm  
16mm  
16mm



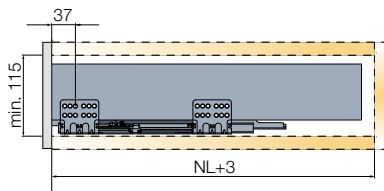
Side adjustment  
+1/-1mm

Height adjustment  
+2/-2mm

For further explanation → see page 11

Installation dimensions

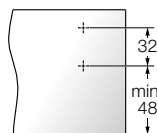
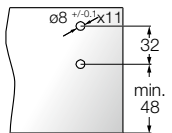
Minimum space required for the cabinet



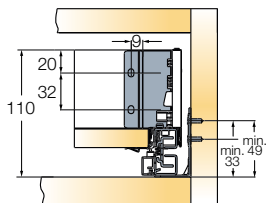
Drilling dimensions for the front panel

EasyFix attachment

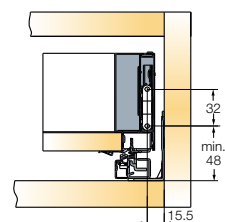
Screw-in attachment



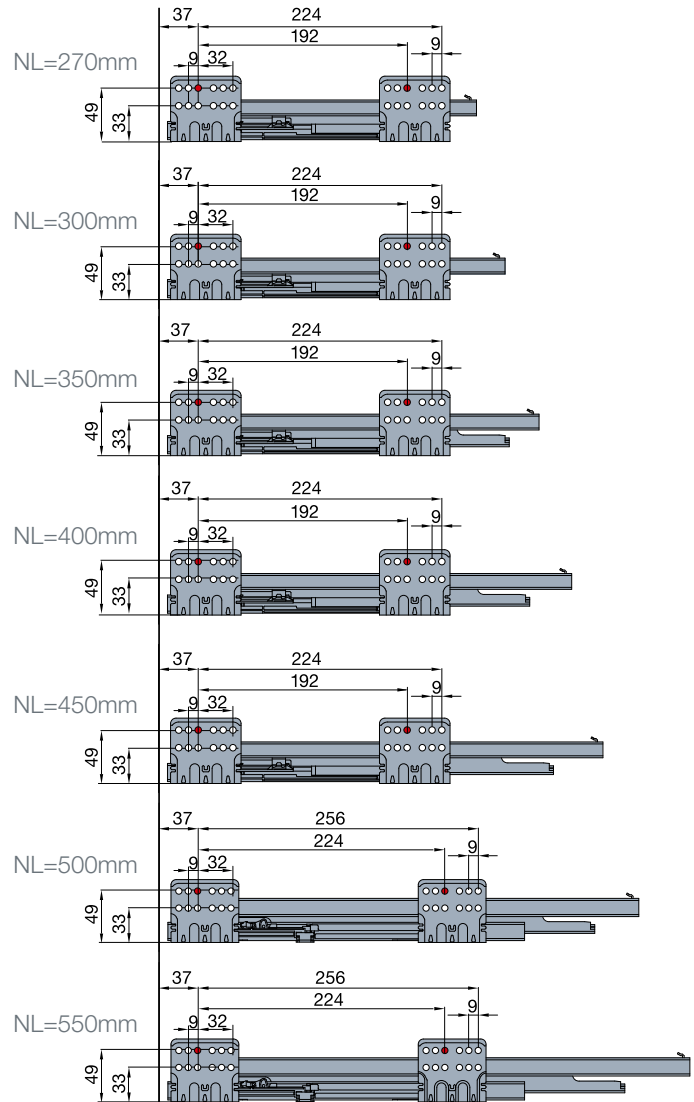
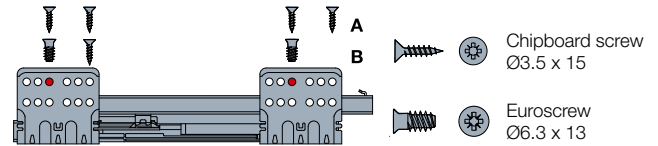
Mounting dimensions for the back panel



Installation dimensions for the front panel

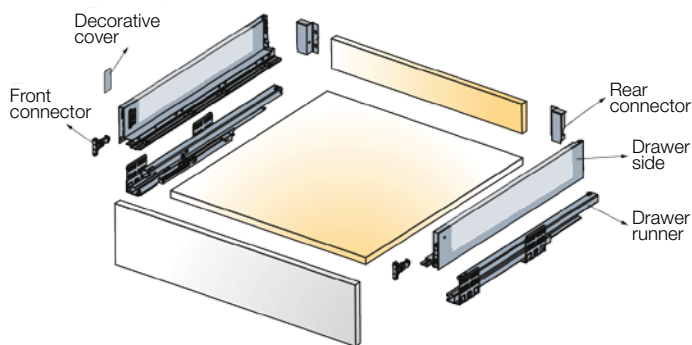
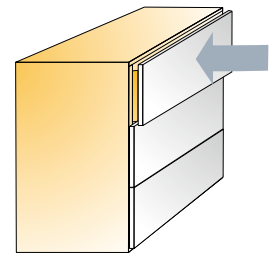


Drawer runner fixing positions

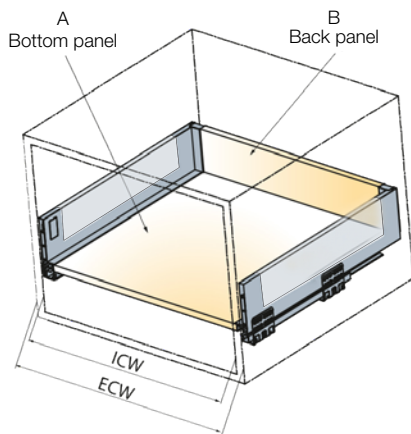


A trial mounting is always recommended.  
For further information please contact your  
Titus Group representative.

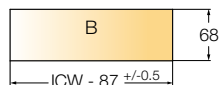
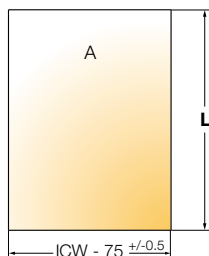
# Tekform Slimline Drawer DW70 With Glass



## Cutting dimensions details



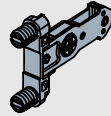
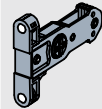






ECW: External cabinet width  
 ICW: Internal cabinet width  
 NL: Nominal length of drawer  
 L<sub>st</sub>: Length in case of steel back panel



$L = NL - 10$   
 $L_{st} = NL - 20$   
 For further explanation → see page 9



4 sets

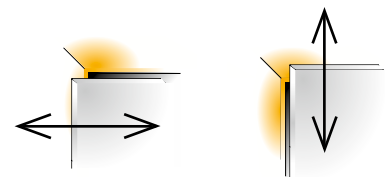
NL	with EasyFix front connector	with Screw-in front connector		
			White + Glass	Antracite grey + Glass
Nominal length (mm)	Item number for a set	Item number for a set		
400	655-7P40 →	655-7U40 →	152	187
450	655-7P45 →	655-7U45 →	152	187
500	655-7P50 →	655-7U50 →	152	187
<b>One set consists of</b>				
	Drawer sides		2 pcs	
	Drawer runners		2 pcs	
	Front connectors		2 pcs	
	Rear connectors		2 pcs	
	Covers		2 pcs	
	Mounting instructions		1 pc/4 sets	

Screws are not included



- Drawer runner type
- Load capacity
- Minimum height space required
- Wooden back panel thickness
- Wooden bottom panel thickness
- Tempered glass sides

full extension  
40kg  
115mm  
16mm  
16mm  
8mm, transparent



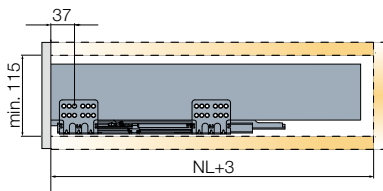
Side adjustment  
+1/-1mm

Height adjustment  
+2/-2mm

For further explanation → see page 11

Installation dimensions

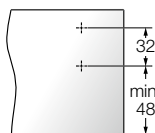
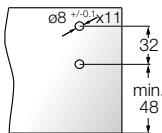
Minimum space required for the cabinet



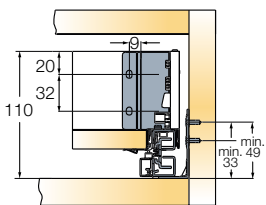
Drilling dimensions for the front panel

EasyFix attachment

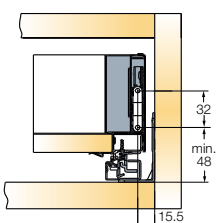
Screw-in attachment



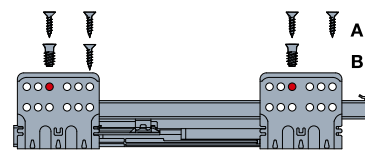
Mounting dimensions for the back panel



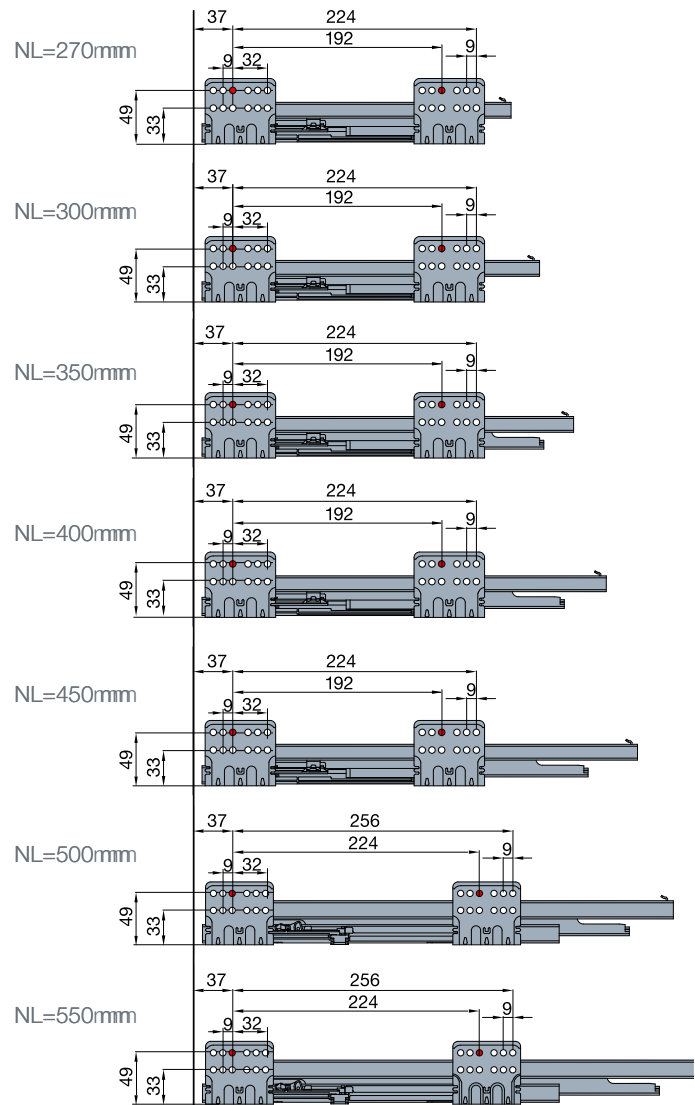
Installation dimensions for the front panel



Drawer runner fixing positions

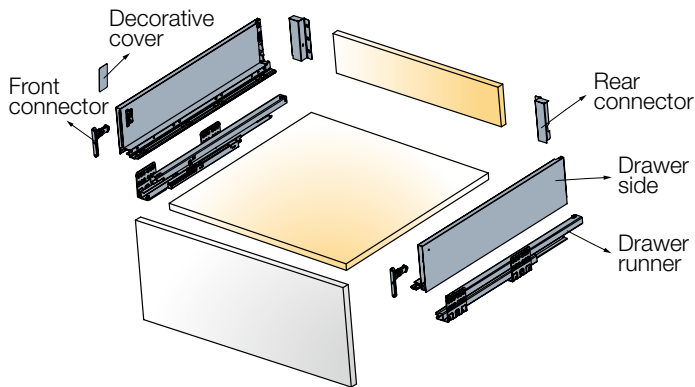
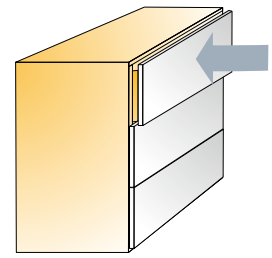


- Chipboard screw Ø3.5 x 15
- Euroscrew Ø6.3 x 13

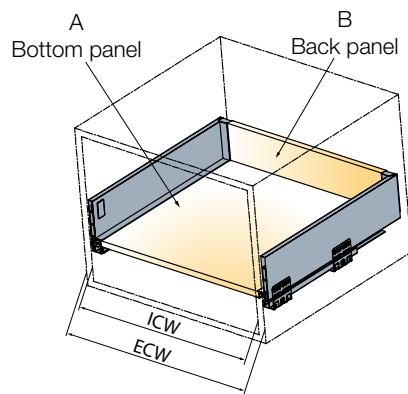


A trial mounting is always recommended.  
For further information please contact your  
Titus Group representative.

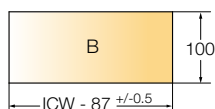
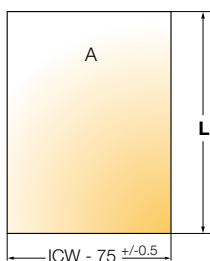
# Tekform Slimline Drawer DW100



### Cutting dimensions details



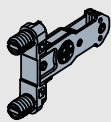
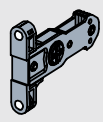
ECW: External cabinet width  
ICW: Internal cabinet width  
NL: Nominal length of drawer



$$L = NL - 10$$







For further explanation → see page 9



NL	with EasyFix front connector	with Screw-in front connector	White	Antracite grey
Nominal length (mm)				
	Item number for a set	Item number for a set		

270	655-8U27 →	655-8F27 →	150	185
300	655-8U30 →	655-8F30 →	150	185
350	655-8U35 →	655-8F35 →	150	185
400	655-8U40 →	655-8F40 →	150	185
450	655-8U45 →	655-8F45 →	150	185
500	655-8U50 →	655-8F50 →	150	185
550	655-8U55 →	655-8F55 →	150	185

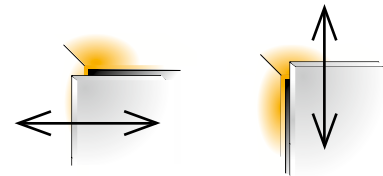
### One set consists of

Drawer sides		2 pcs
Drawer runners		2 pcs
*Front connectors		2 pcs
Rear connectors		2 pcs
Covers		2 pcs
Mounting instructions		1 pc/4 sets

Screws are not included

- Drawer runner type
- Load capacity
- Minimum height per drawer required
- Wooden back panel thickness
- Wooden bottom panel thickness

full extension  
40 kg  
147mm  
16mm  
16mm



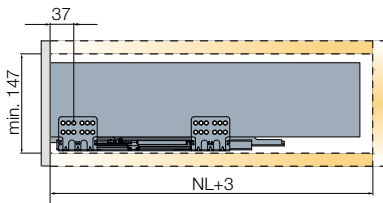
Side adjustment  
+1/-1mm

Height adjustment  
+2/-2mm

For further explanation → see page 11

Installation dimensions

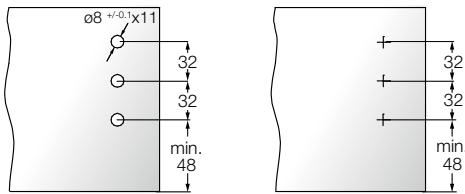
Minimum space required for the cabinet



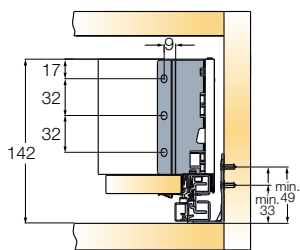
Drilling dimensions for the front panel

EasyFix attachment

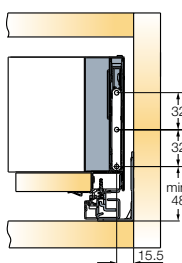
Screw-in attachment



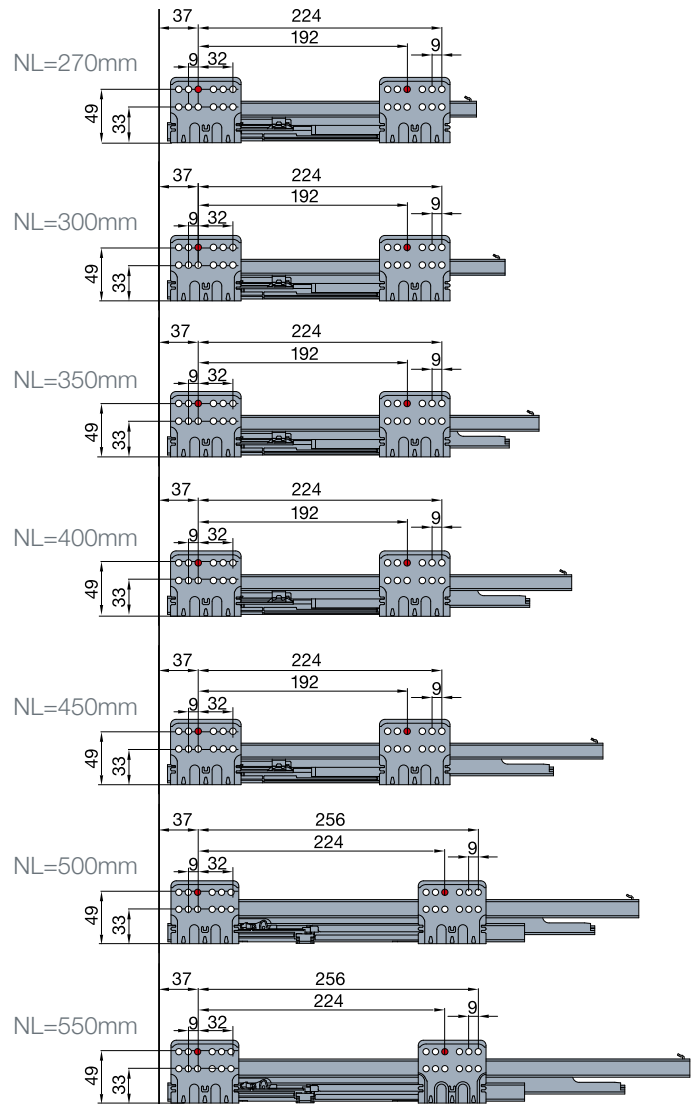
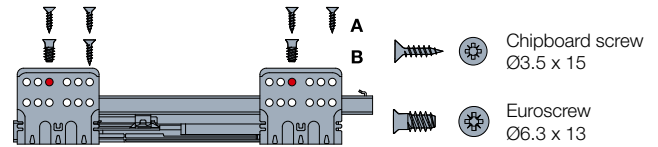
Mounting dimensions for the back panel



Installation dimensions for the front panel

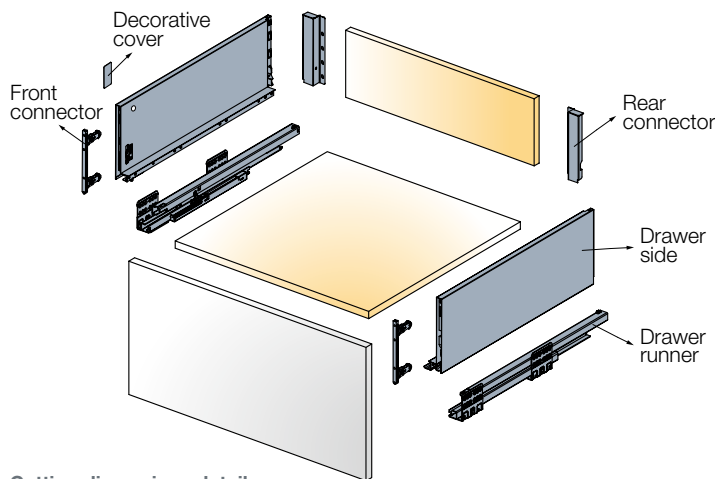
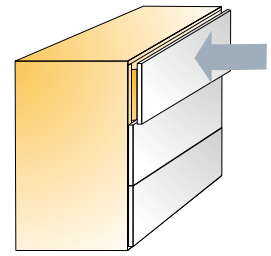


Drawer runner fixing positions

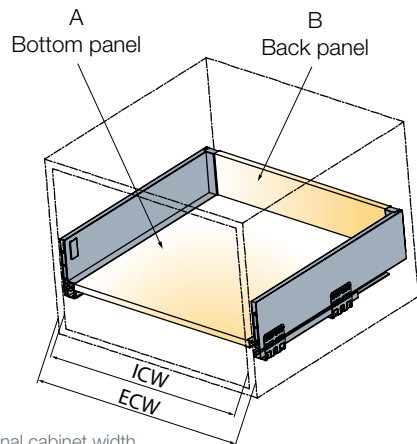


A trial mounting is always recommended.  
For further information please contact your  
Titus Group representative.

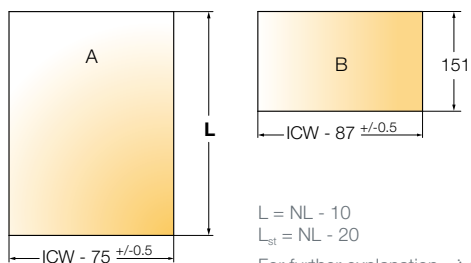
# Tekform Slimline Drawer DW145



### Cutting dimensions details



ECW: External cabinet width  
 ICW: Internal cabinet width  
 NL: Nominal length of drawer  
 L<sub>st</sub>: Length in case of steel back panel



NL	with EasyFix front connector	with Screw-in front connector		
Nominal length (mm)				
	Item number for a set	Item number for a set	White	Antracite grey

270	655-8V27 →	655-8G27 →	150	185
300	655-8V30 →	655-8G30 →	150	185
350	655-8V35 →	655-8G35 →	150	185
400	655-8V40 →	655-8G40 →	150	185
450	655-8V45 →	655-8G45 →	150	185
500	655-8V50 →	655-8G50 →	150	185
550	655-8V55 →	655-8G55 →	150	185

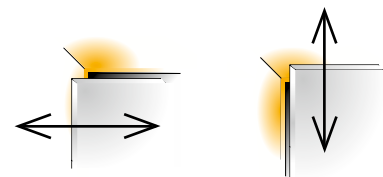
One set consists of	
Drawer sides	2 pcs
Drawer runners	2 pcs
*Front connectors	2 pcs
Rear connectors	2 pcs
Covers	2 pcs
	2 pcs
Mounting instructions	1 pc/4 sets

4 sets

Screws are not included

- Drawer runner type
- Load capacity
- Minimum height per drawer required
- Wooden back panel thickness
- Wooden bottom panel thickness

full extension  
40 kg  
198mm  
16mm  
16mm



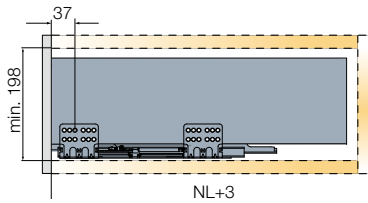
Side adjustment  
+1/-1mm

Height adjustment  
+2/-2mm

For further explanation → see page 11

Installation dimensions

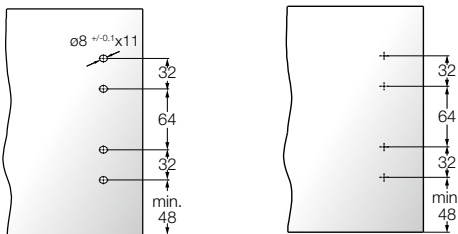
Minimum space required for the cabinet



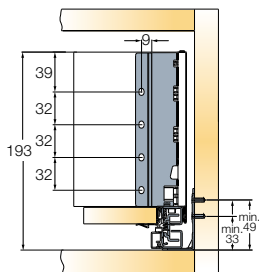
Drilling dimensions for the front panel

EasyFix attachment

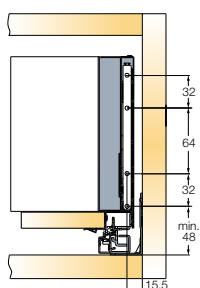
Screw-in attachment



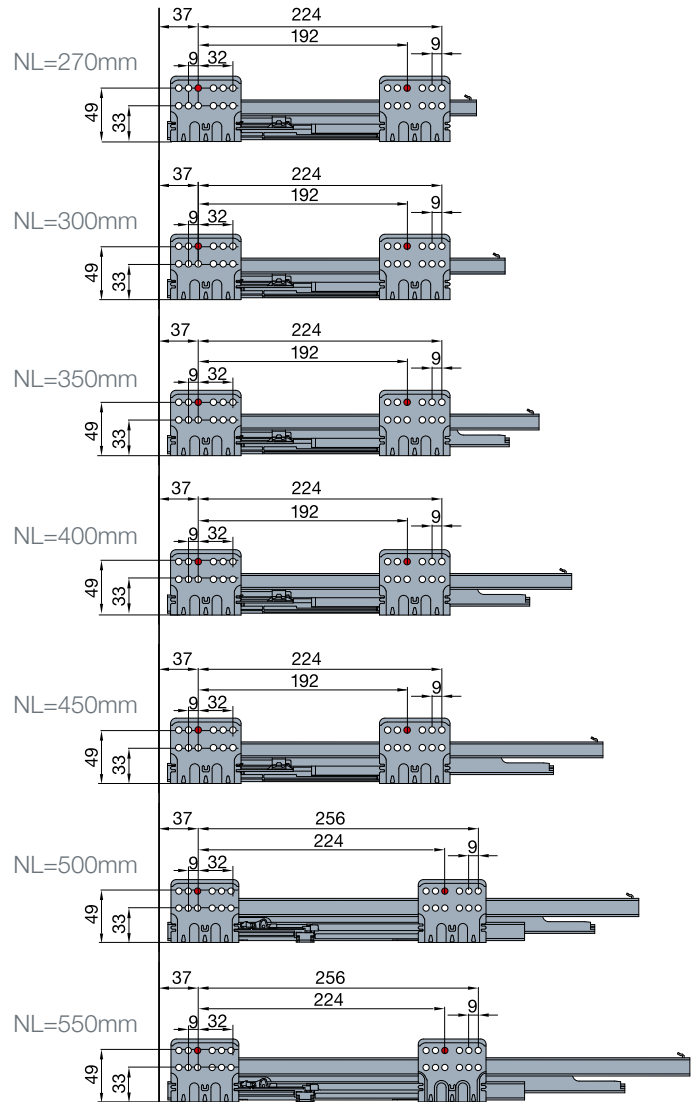
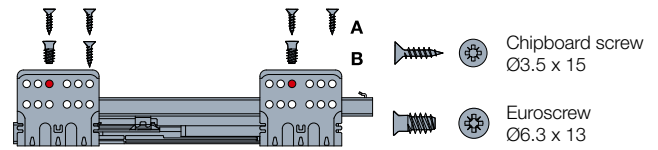
Mounting dimensions for the back panel



Installation dimensions for the front panel

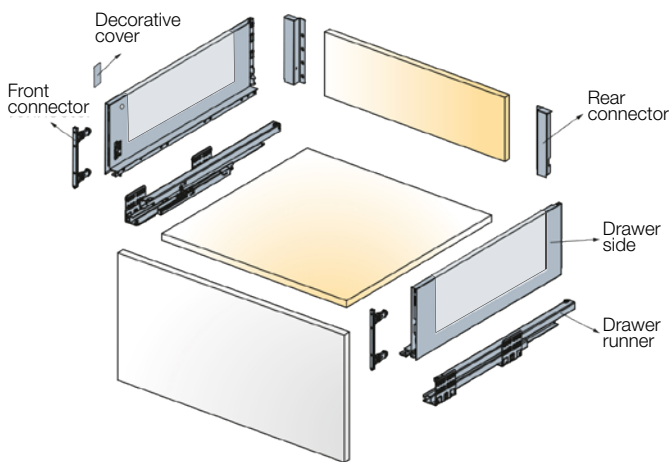
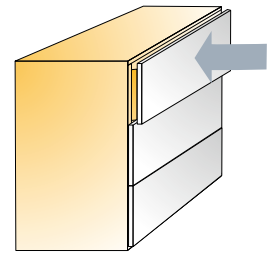


Drawer runner fixing positions

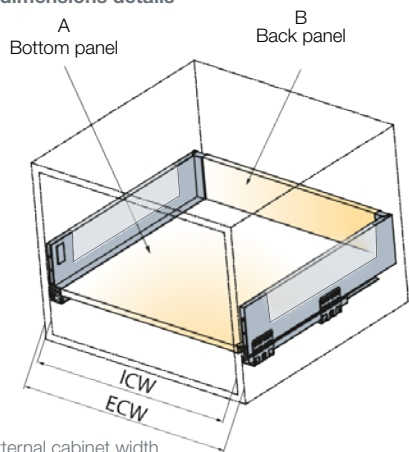


A trial mounting is always recommended.  
For further information please contact your  
Titus Group representative.

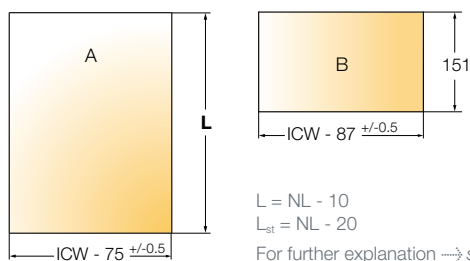
# Tekform Slimline Drawer DW145 With Glass



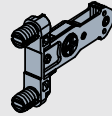
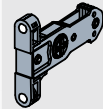






### Cutting dimensions details



ECW: External cabinet width  
ICW: Internal cabinet width  
NL: Nominal length of drawer  
L<sub>st</sub>: Length in case of steel back panel



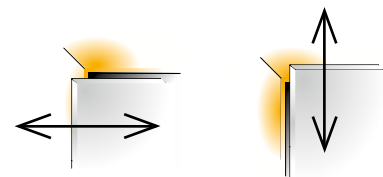
 4 sets

NL	with EasyFix front connector	with Screw-in front connector		
			White + Glass	Antracite grey + Glass
Nominal length (mm)	Item number for a set	Item number for a set		
400	655-7S40 →	655-7W40 →	152	187
450	655-7S45 →	655-7W45 →	152	187
500	655-7S50 →	655-7W50 →	152	187
<b>One set consists of</b>				
	Drawer sides		2 pcs	
	Drawer runners		2 pcs	
	Front connectors		2 pcs	
	Rear connectors		2 pcs	
	Covers		2 pcs	
	Mounting instructions		1 pc/4 sets	

Screws are not included

- Drawer runner type
- Load capacity
- Minimum height space required
- Wooden back panel thickness
- Wooden bottom panel thickness
- Tempered glass sides

Full extension  
40kg  
198mm  
16mm  
16mm  
8mm, transparent



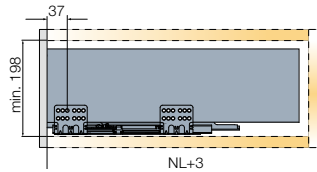
Side adjustment  
+1/-1mm

Height adjustment  
+2/-2mm

For further explanation → see page 11

Installation dimensions

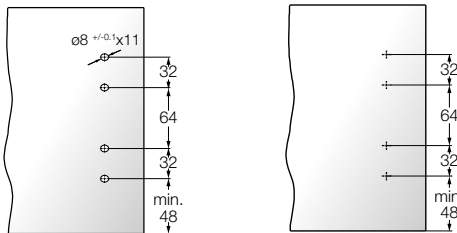
Minimum space required for the cabinet



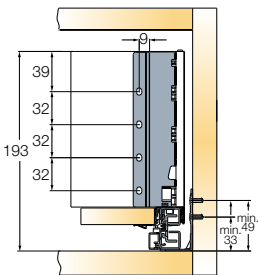
Drilling dimensions for the front panel

EasyFix attachment

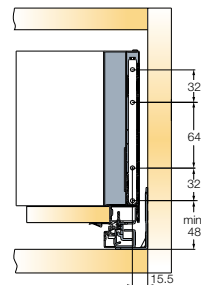
Screw-in attachment



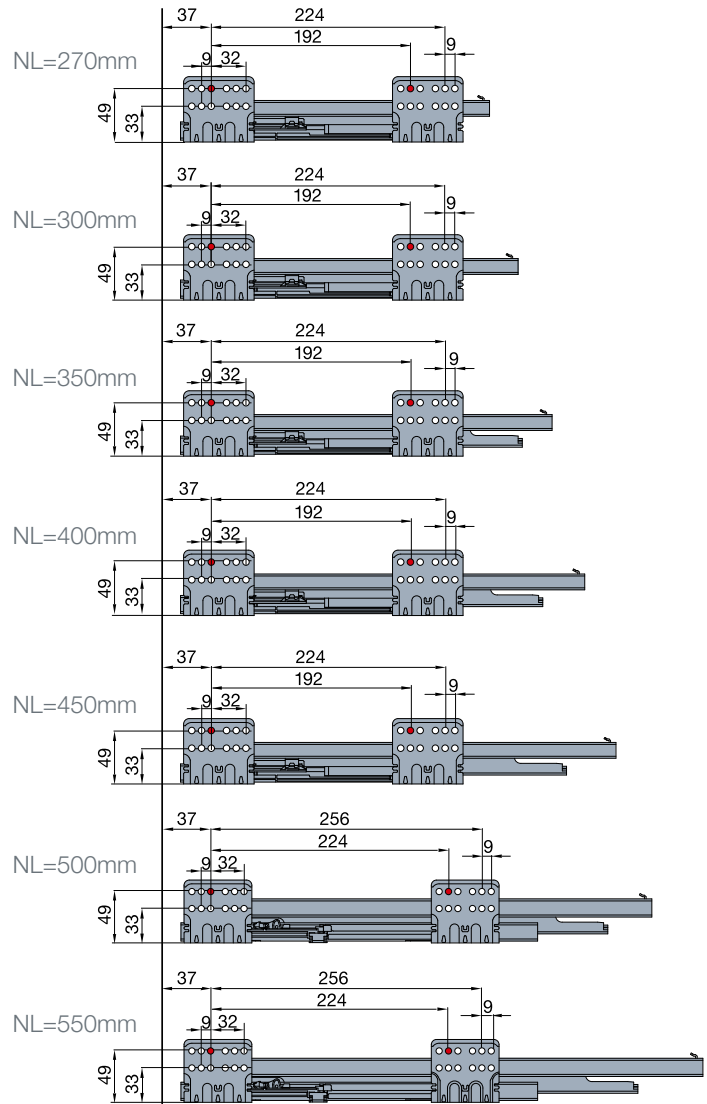
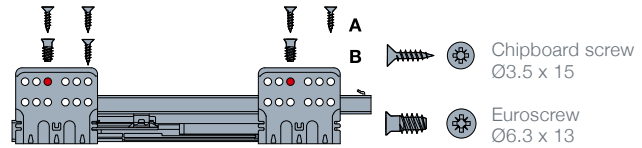
Mounting dimensions for the back panel



Installation dimensions for the front panel

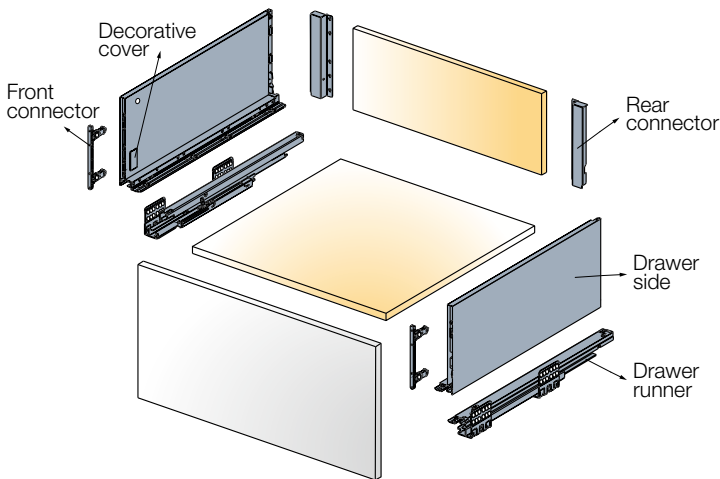
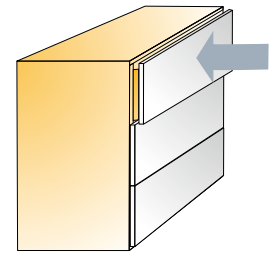


Drawer runner fixing positions

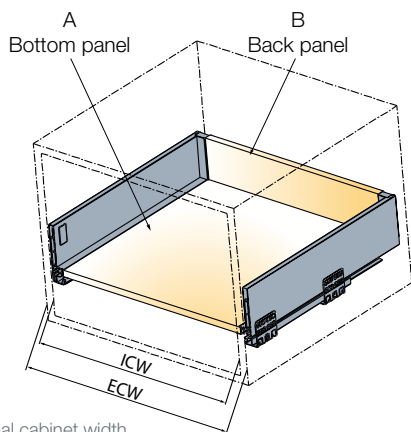


A trial mounting is always recommended.  
For further information please contact your  
Titus Group representative.

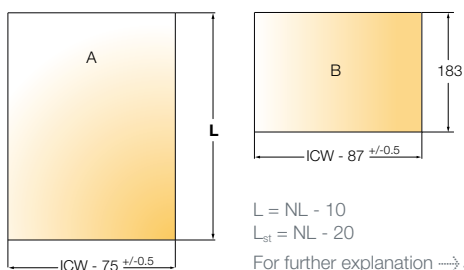
# Tekform Slimline Drawer DW182



### Cutting dimensions details



ECW: External cabinet width  
 ICW: Internal cabinet width  
 NL: Nominal length of drawer  
 $L_{st}$ : Length in case of steel back panel



NL	with EasyFix front connector	with Screw-in front connector		
Nominal length (mm)				
	Item number for a set	Item number for a set	White	Antracite grey

270	655-8Z27 →	655-8H27 →	150	185
300	655-8Z30 →	655-8H30 →	150	185
350	655-8Z35 →	655-8H35 →	150	185
400	655-8Z40 →	655-8H40 →	150	185
450	655-8Z45 →	655-8H45 →	150	185
500	655-8Z50 →	655-8H50 →	150	185
550	655-8Z55 →	655-8H55 →	150	185

### One set consists of

Drawer sides		2 pcs
Drawer runners		2 pcs
*Front connectors		2 pcs
Rear connectors		2 pcs
Covers		2 pcs
		2 pcs
Mounting instructions		1 pc/4 sets

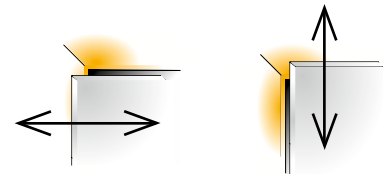
4 sets

Screws are not included



- Drawer runner type
- Load capacity
- Minimum height per drawer required
- Wooden back panel thickness
- Wooden bottom panel thickness

full extension  
40kg  
230mm  
16mm  
16mm



Side adjustment  
+1/-1mm

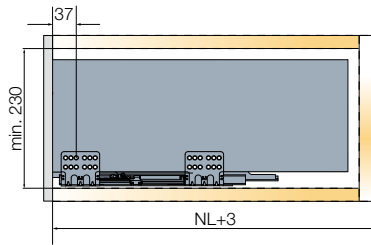
Height adjustment  
+2/-2mm

For further explanation → see page 11

Installation dimensions

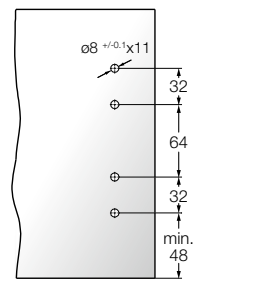
Drawer runner fixing positions

Minimum space required for the cabinet

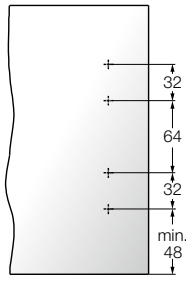


Drilling dimensions for the front panel

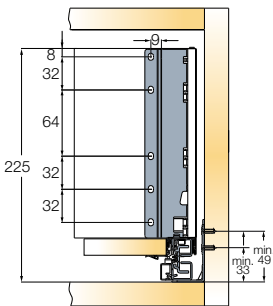
EasyFix attachment



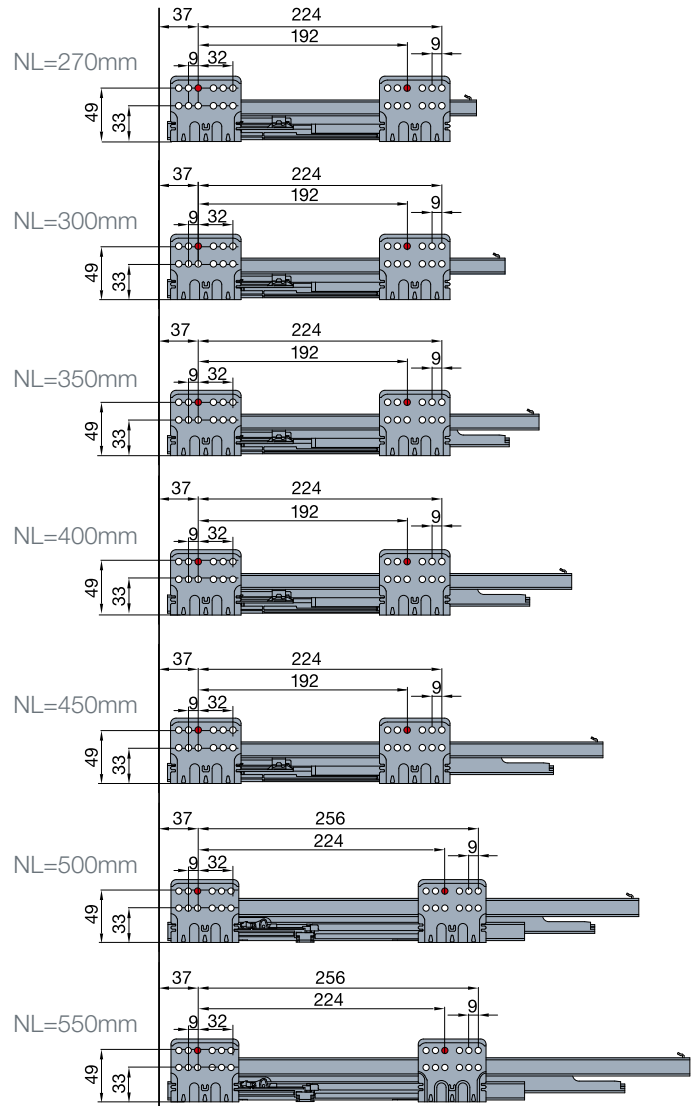
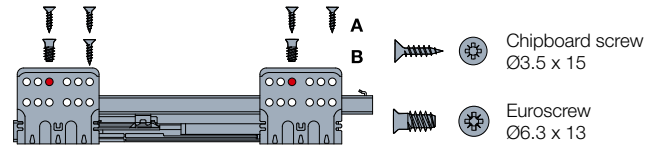
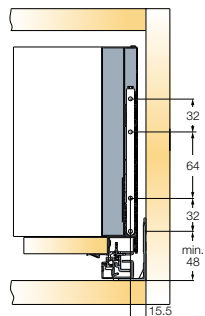
Screw-in attachment



Mounting dimensions for the back panel

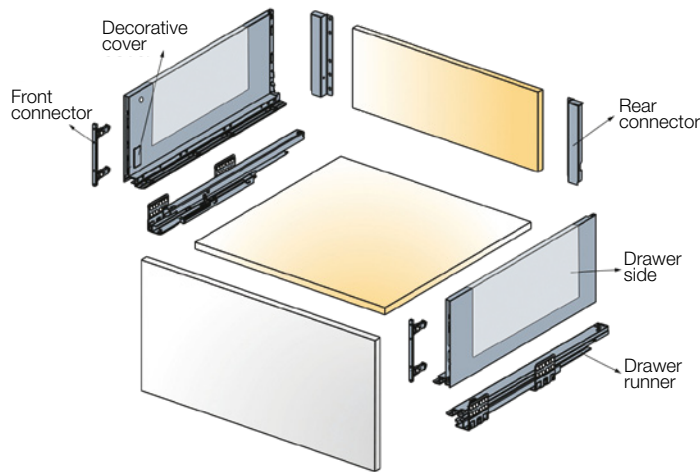
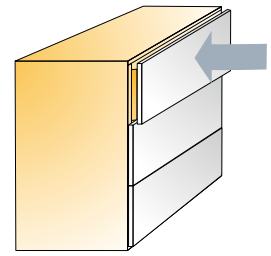


Installation dimensions for the front panel

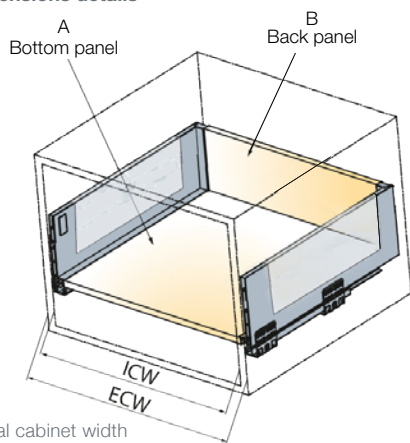


A trial mounting is always recommended.  
For further information please contact your  
Titus Group representative.

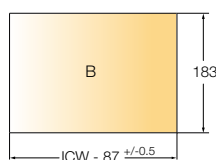
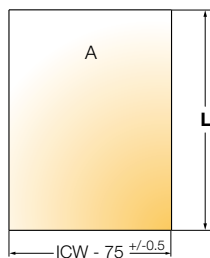
# Tekform Slimline Drawer DW182 With Glass



### Cutting dimensions details

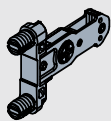
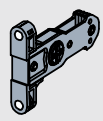



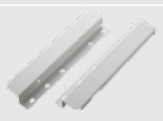




ECW: External cabinet width  
ICW: Internal cabinet width  
NL: Nominal length of drawer  
 $L_{st}$ : Length in case of steel back panel



$L = NL - 10$   
 $L_{st} = NL - 20$

For further explanation → see page 9

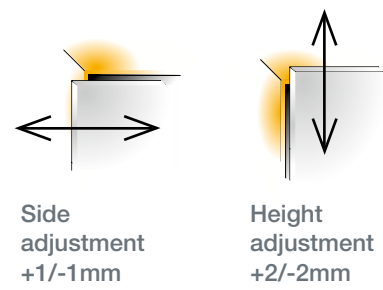
NL	with EasyFix front connector	with Screw-in front connector		
			White + Glass	Antracite grey + Glass
Nominal length (mm)	Item number for a set	Item number for a set		
400	655-7T40 →	655-7X40 →	152	187
450	655-7T45 →	655-7X45 →	152	187
500	655-7T50 →	655-7X50 →	152	187
<b>One set consists of</b>				
	Drawer sides		2 pcs	
	Drawer runners		2 pcs	
	Front connectors		2 pcs	
	Rear connectors		2 pcs	
	Covers		2 pcs 2 pcs	
	Mounting instructions		1 pc/4 sets	

 4 sets

Screws are not included

- Drawer runner type
- Load capacity
- Minimum height space required
- Wooden back panel thickness
- Wooden bottom panel thickness
- Tempered glass sides

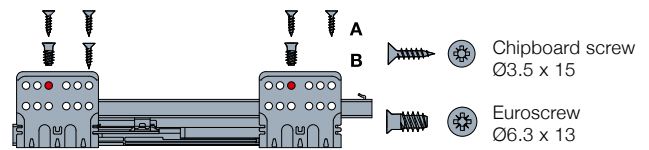
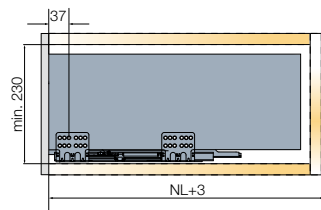
Full extension  
40kg  
230mm  
16mm  
16mm  
8mm, transparent



Installation dimensions

Drawer runner fixing positions

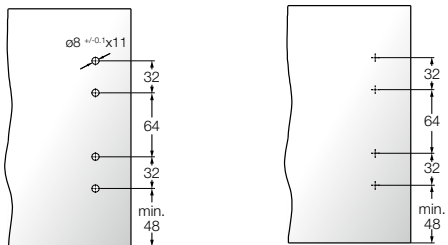
Minimum space required for the cabinet



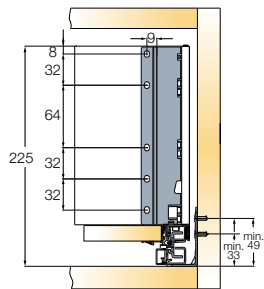
Drilling dimensions for the front panel

EasyFix attachment

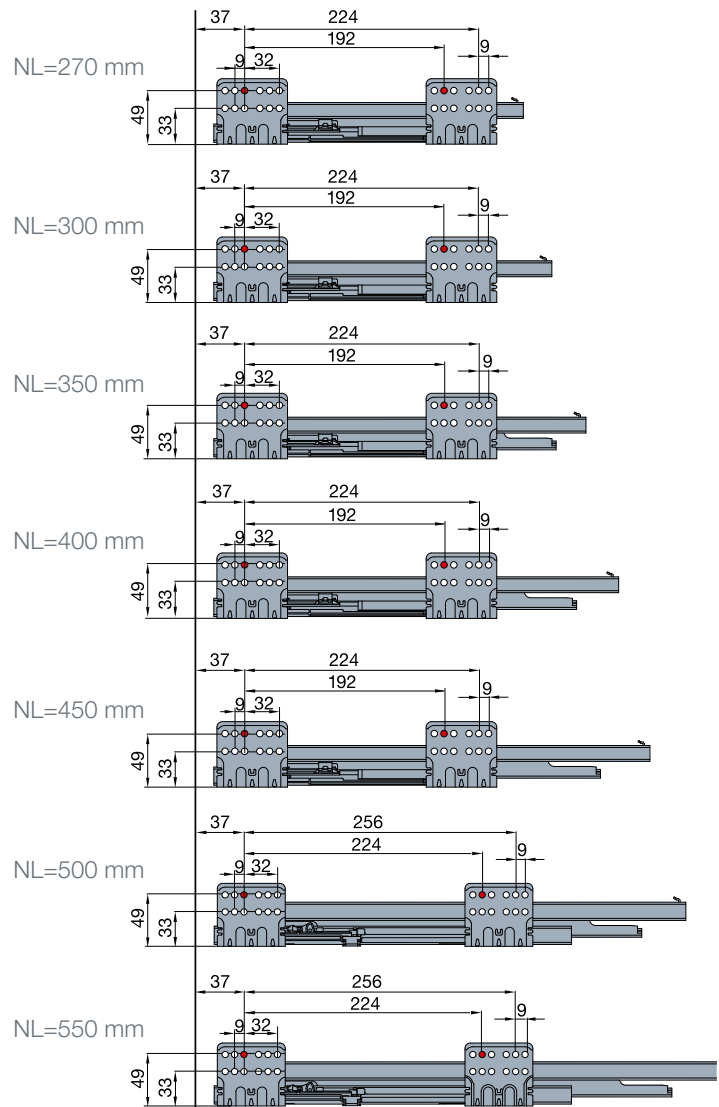
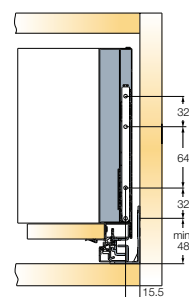
Screw-in attachment



Mounting dimensions for the back panel

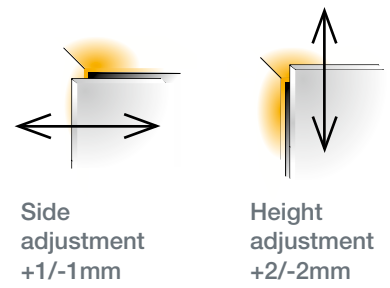
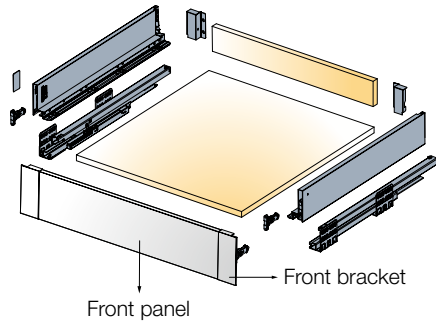


Installation dimensions for the front panel



A trial mounting is always recommended.  
For further information please contact your  
Titus Group representative.

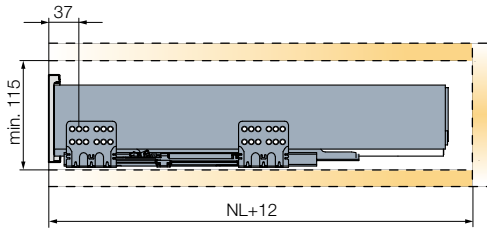




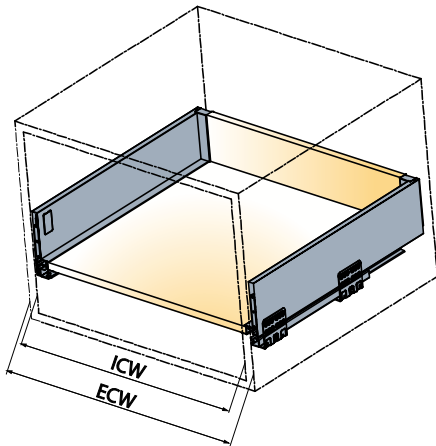
For further explanation → see page 11

Installation dimensions

Minimum space required for the cabinet

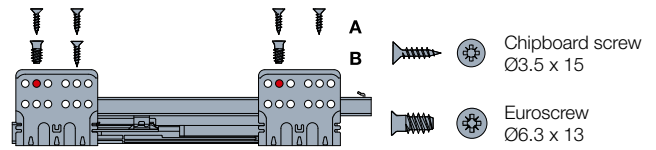


Cutting dimensions details

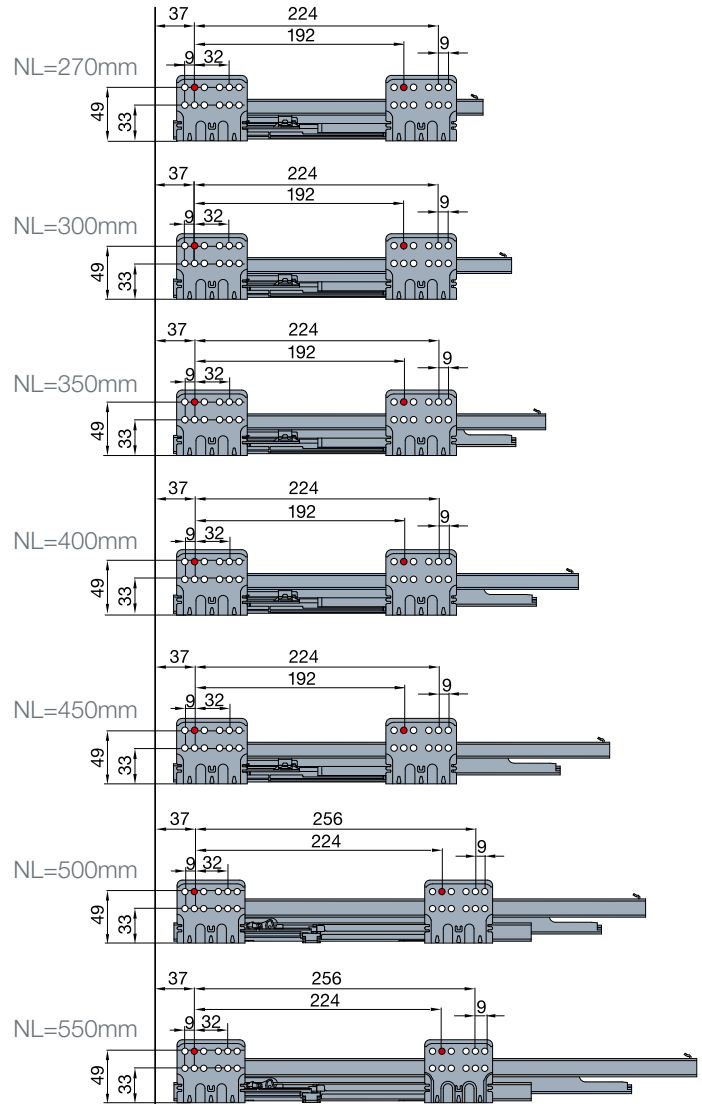


ECW: External cabinet width  
ICW: Internal cabinet width  
NL: Nominal length of drawer

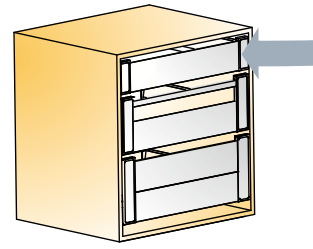
Drawer runner fixing positions



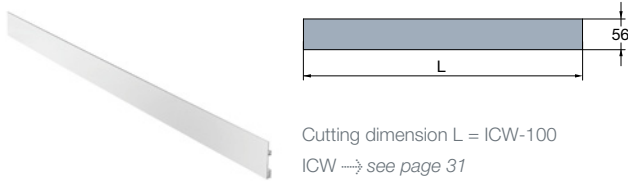
⚠ Use the second hole for runner fixing.



# Inner Drawer Front for Tekform Slimline Drawer DW70 with Glass



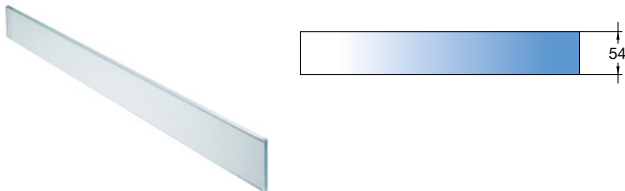
Front panel



20 pcs

Made of aluminium

Low glass



10 pcs

20 pcs (655-8295, 655-8300, 655-8296, 655-8301)

Made of glass

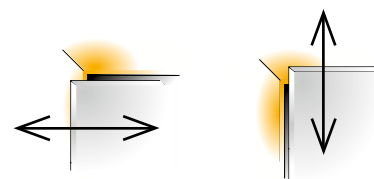
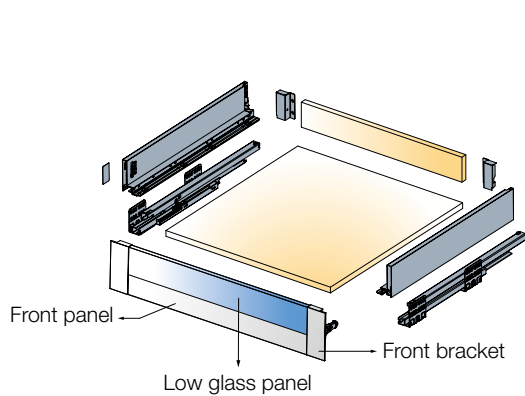
Front bracket



50 sets

Made of aluminium and plastic

ECW	Cabinet side Thickness=16mm	Cabinet side Thickness=18mm			
External cabinet width			White	Antracite grey	Transparent glass
Item number	Item number				
1200	655-8085 →		511	515	
600	655-8295 →	655-8300 →			392
800	655-8296 →	655-8301 →			392
900	655-8297 →	655-8302 →			392
	655-8305 →		150	185	



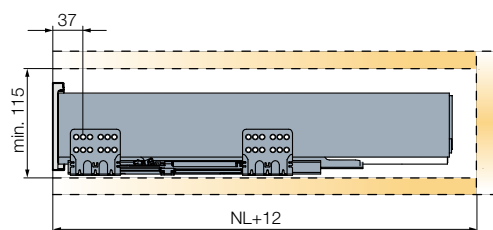
Side adjustment  
+1/-1mm

Height adjustment  
+2/-2mm

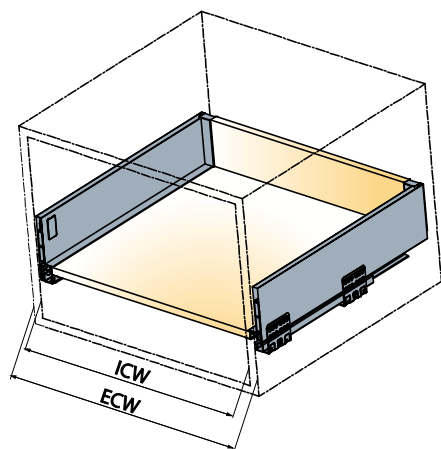
For further explanation → see page 11

Installation dimensions

Minimum space required for the cabinet

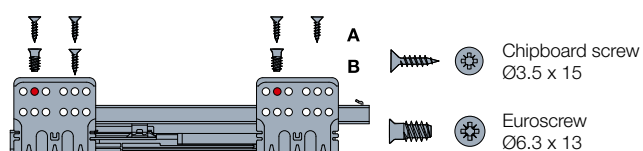


Cutting dimensions details

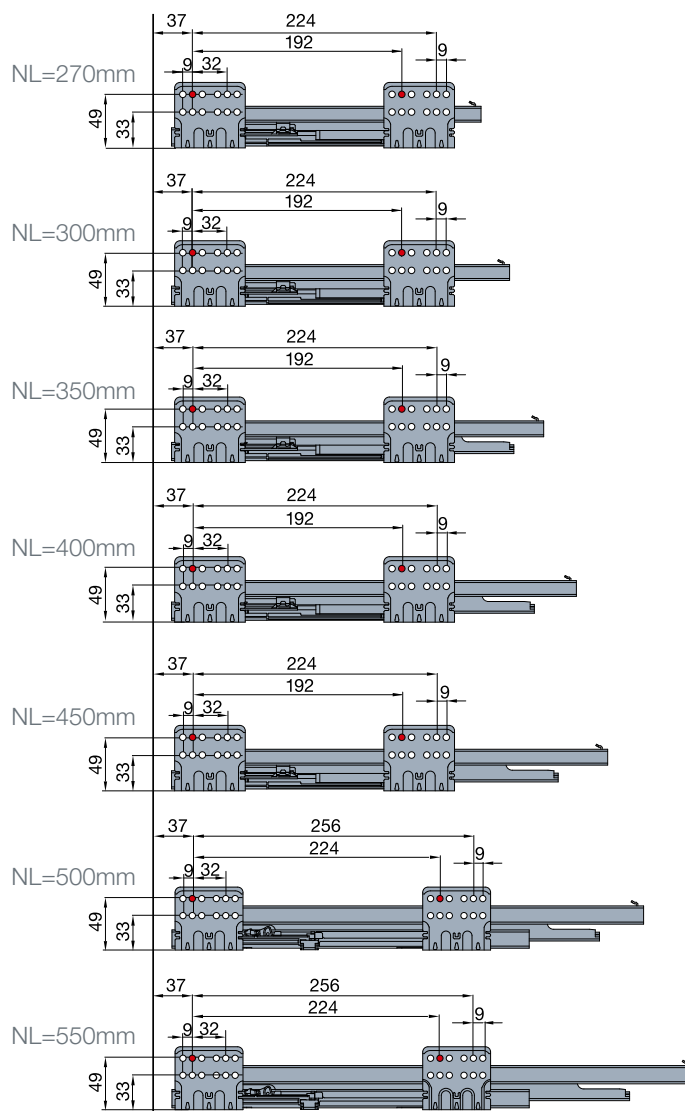


ECW: External cabinet width  
ICW: Internal cabinet width  
NL: Nominal length of drawer

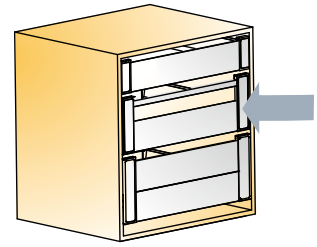
Drawer runner fixing positions



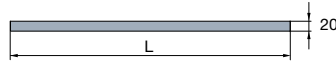
⚠ Use the second hole for runner fixing.




# Inner Drawer Front for Tekform Slimline Drawer DW145 with Bar



Front bar



Cutting dimension L = ICW-88  
ICW → see page 33

 50 pcs

Made of aluminium

Front panel



Cutting dimension L = ICW-100  
ICW → see page 33

 20 pcs

Made of aluminium

Front bracket

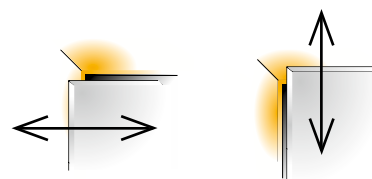
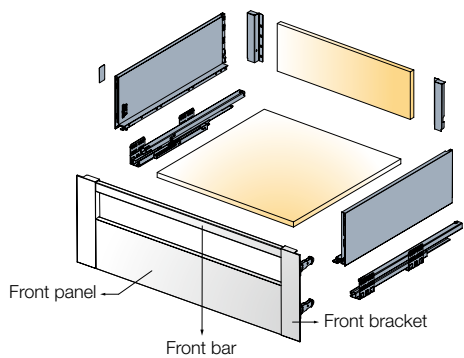


 20 pcs

Made of aluminium and plastic

ECW	External cabinet width	Item number	White	Antracite grey
1200	655-8090 →	511	515	
1200	655-8064 →	511	515	
	655-8101 →	350	385	





Side adjustment  
+1/-1mm

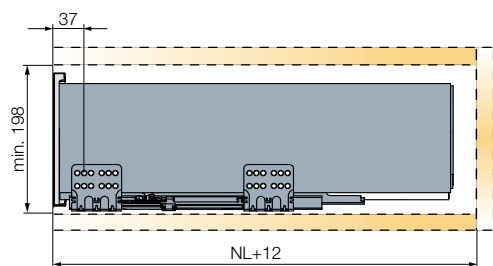
Height adjustment  
+2/-2mm

For further explanation → see page 11

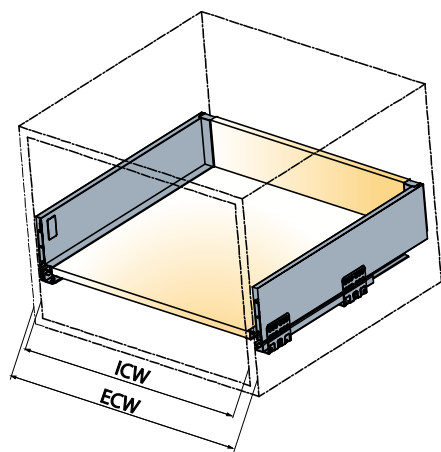
Installation dimensions

Drawer runner fixing positions

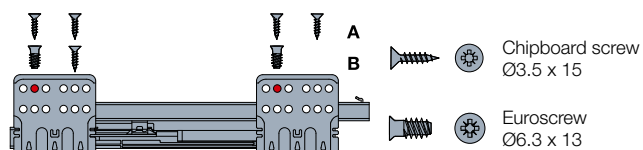
Minimum space required for the cabinet



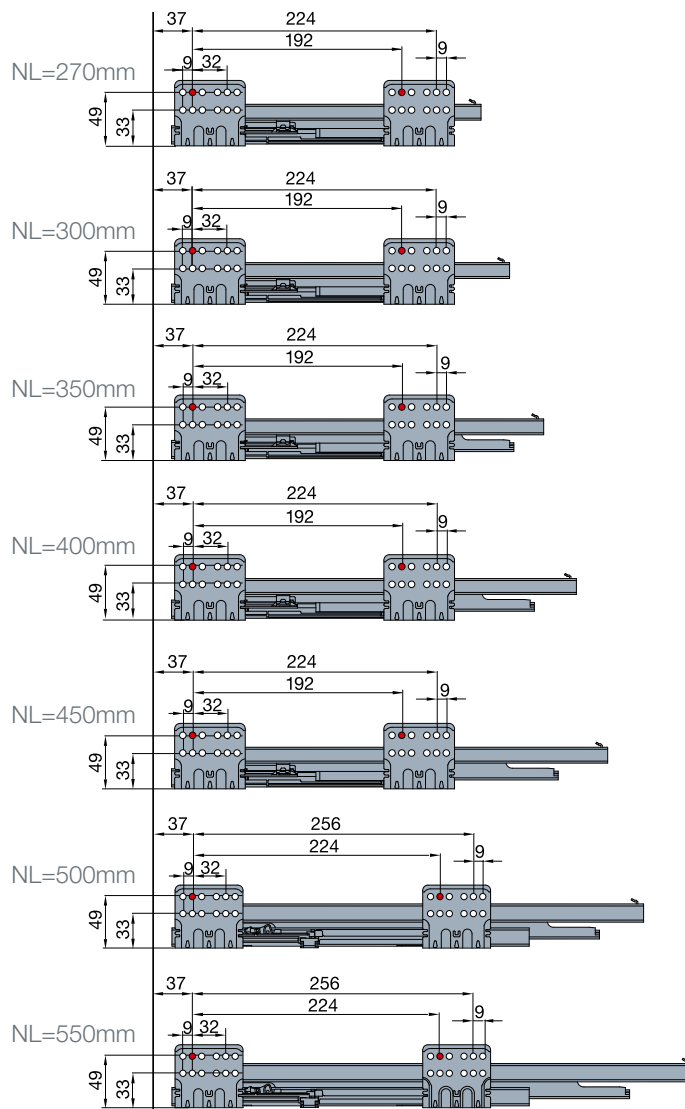
Cutting dimensions details



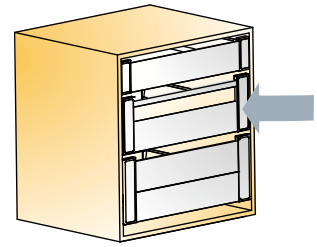
ECW: External cabinet width  
ICW: Internal cabinet width  
NL: Nominal length of drawer



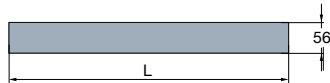
⚠ Use the second hole for runner fixing.



# Inner Drawer Front for Tekform Slimline Drawer DW145 with High Glass



Front panel

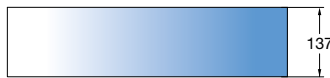


Cutting dimension L = ICW-100  
ICW → see page 35

 20 pcs

Made of aluminium

Front glass panel - high



 5 pcs  
10 pcs (655-8220, 655-8096,  
655-8221, 655-8097)

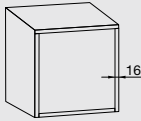
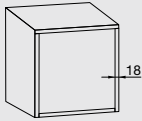
Made of glass

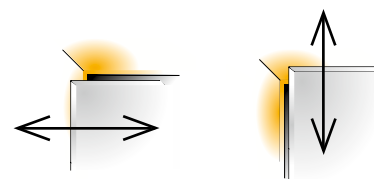
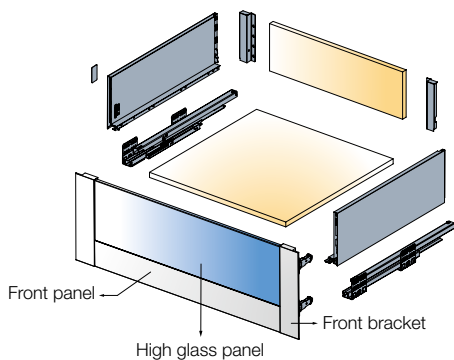
Front bracket



 20 sets

Made of aluminium and plastic

ECW	Cabinet side Thickness=16mm	Cabinet side Thickness=18mm			
External cabinet width			White	Antracite grey	Transparent glass
Item number	Item number				
1200	655-8085 →		511	515	
600	655-8220 →	655-8096 →			392
800	655-8221 →	655-8097 →			392
900	655-8222 →	655-8098 →			392
	655-8103 →		350	385	



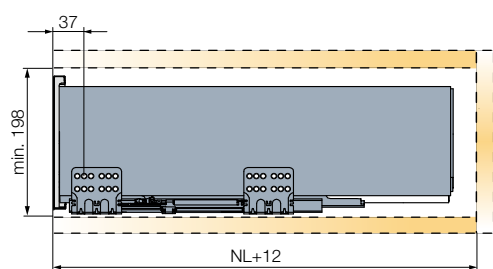
Side adjustment  
+1/-1mm

Height adjustment  
+2/-2mm

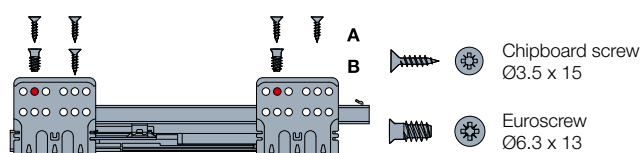
For further explanation → see page 11

Installation dimensions

Minimum space required for the cabinet

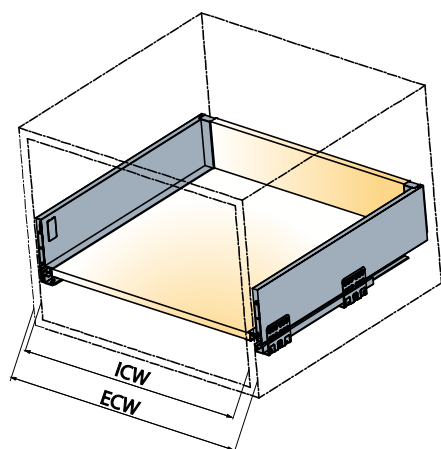


Drawer runner fixing positions

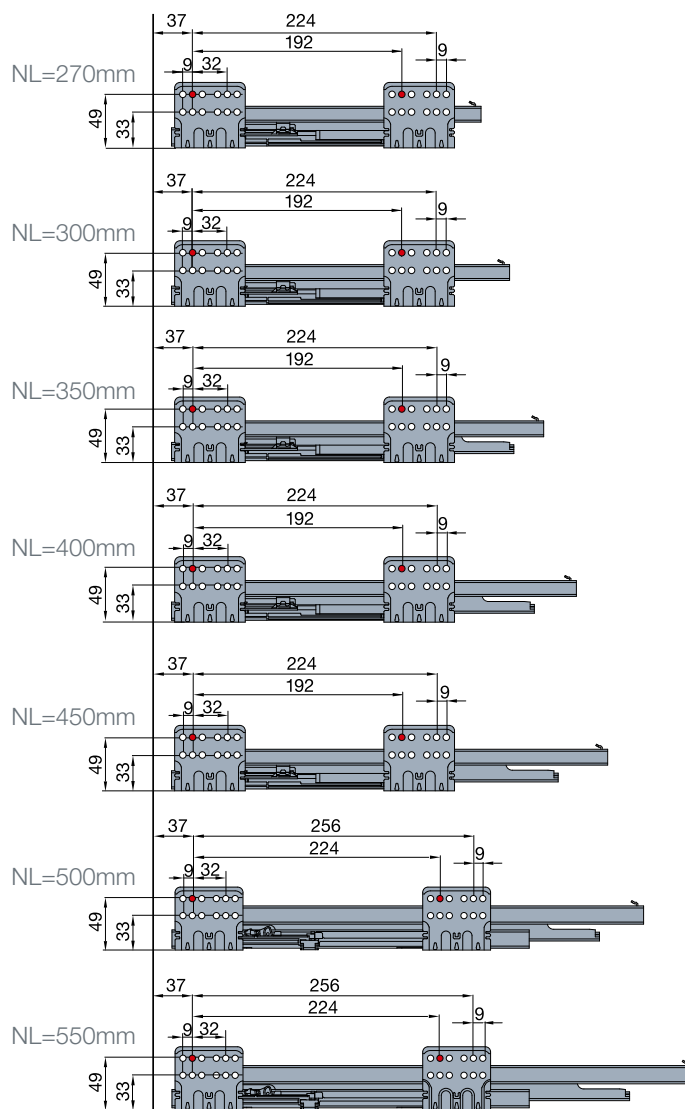


⚠ Use the second hole for runner fixing.

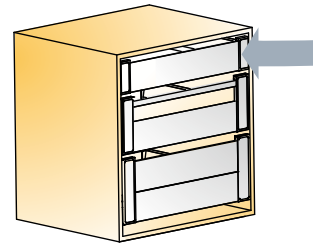
Cutting dimensions details



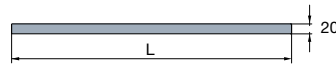
ECW: External cabinet width  
ICW: Internal cabinet width  
NL: Nominal length of drawer



# Inner Drawer Front for Tekform Slimline Drawer DW182 with Bar



Front bar



Cutting dimension L = ICW-88  
ICW → see page 37

 50 pcs

Made of aluminium and plastic

Front panel



Cutting dimension L = ICW-100  
ICW → see page 37

 20 pcs

Made of aluminium

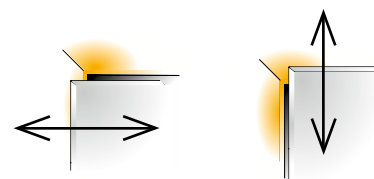
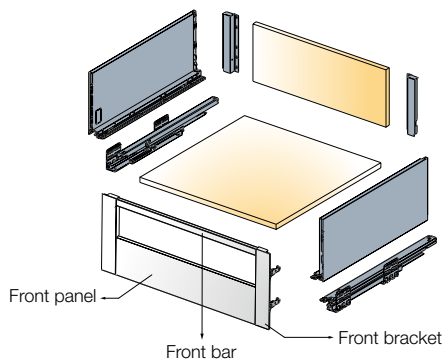
Front bracket



 20 sets

Made of aluminium and plastic

ECW	External cabinet width	Item number	White	Antracite grey
1200	655-8090 →	511	515	
1200	655-8064 →	511	515	
	655-8170 →	350	385	



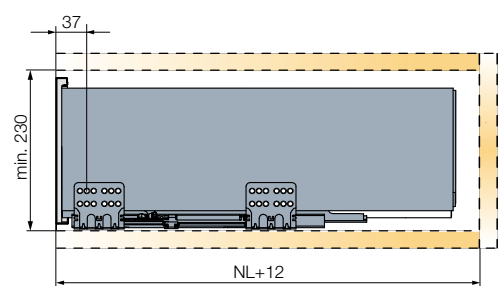
Side adjustment  
+1/-1mm

Height adjustment  
+2/-2mm

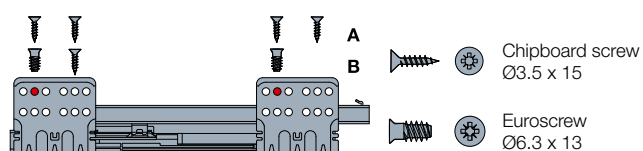
For further explanation → see page 11

Installation dimensions

Minimum space required for the cabinet

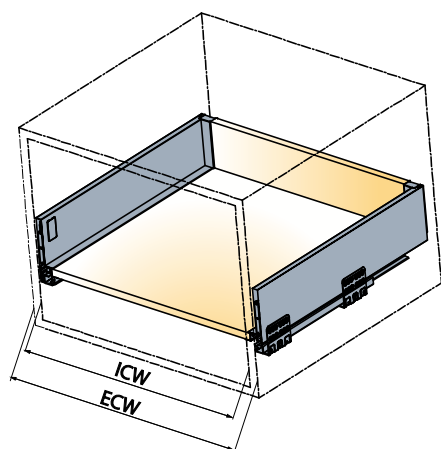


Drawer runner fixing positions

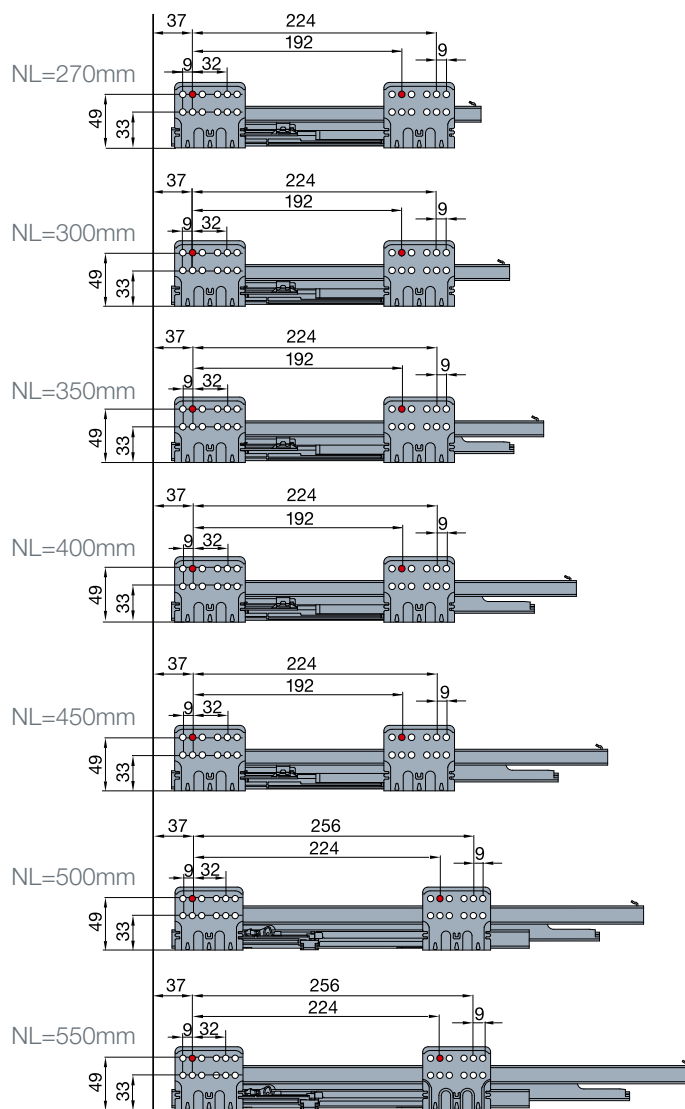


⚠ Use the second hole for runner fixing.

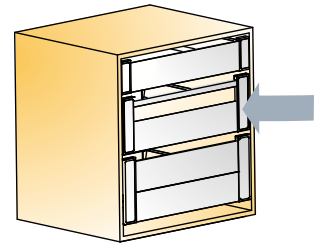
Cutting dimensions details



ECW: External cabinet width  
ICW: Internal cabinet width  
NL: Nominal length of drawer



# Inner Drawer Front for Tekform Slimline Drawer DW182 with High Glass



Front panel

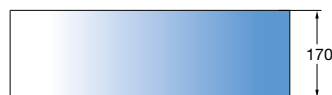


Cutting dimension L = ICW-100  
ICW → see page 38

 20 pcs

Made of aluminium

Front glass panel - high



 5 pcs  
10 pcs (655-8280, 655-8165,  
655-8281, 655-8166)

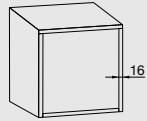
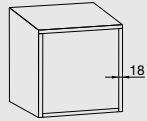

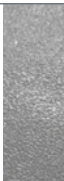
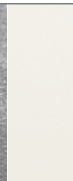
Made of glass

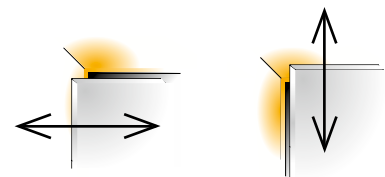
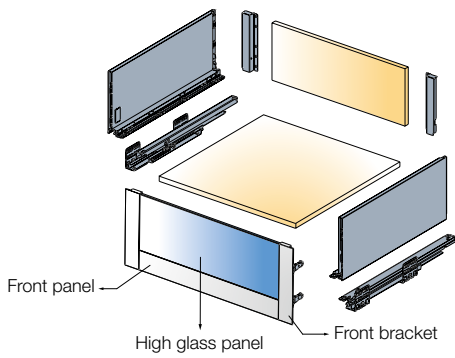
Front bracket



 20 sets

Made of aluminium and plastic

ECW	Cabinet side Thickness=16mm	Cabinet side Thickness=18mm			
External cabinet width					
Item number	Item number	White	Antracite grey	Transparent glass	
1200	655-8085 →	511	515		
600	655-8280 →	655-8165 →			392
800	655-8281 →	655-8166 →			392
900	655-8282 →	655-8167 →			392
	655-8172 →	350	385		



Side adjustment  
+1/-1mm

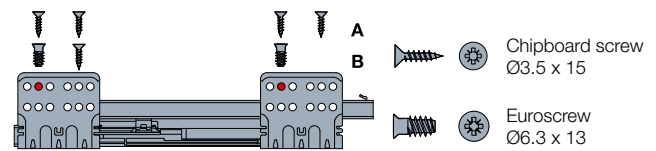
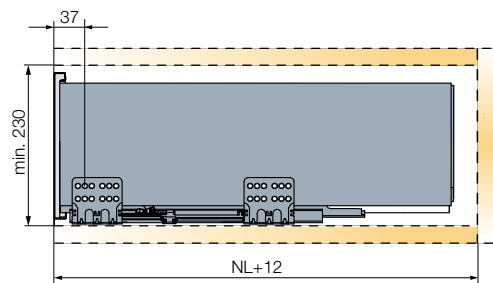
Height adjustment  
+2/-2mm

For further explanation → see page 11

Installation dimensions

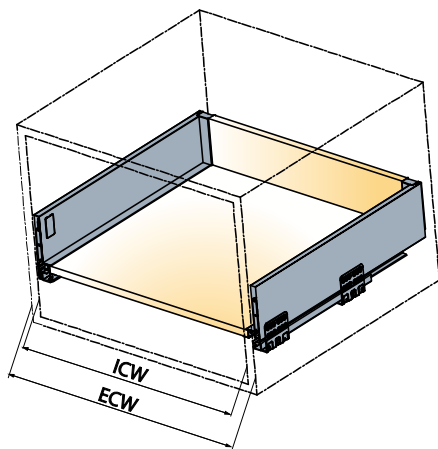
Drawer runner fixing positions

Minimum space required for the cabinet

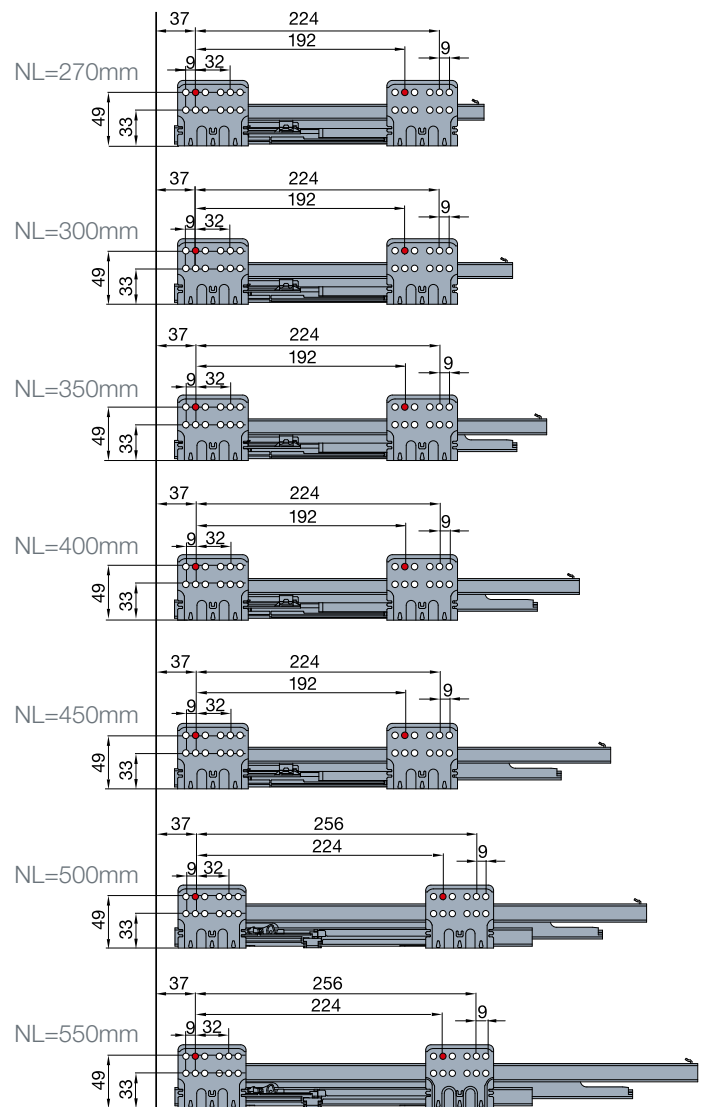


⚠ Use the second hole for runner fixing.

Cutting dimensions details

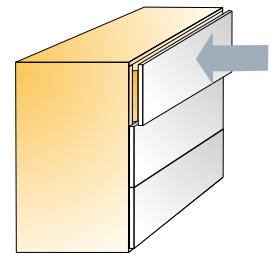



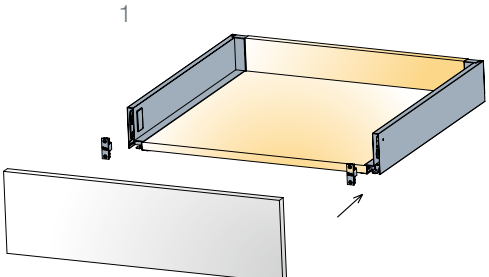
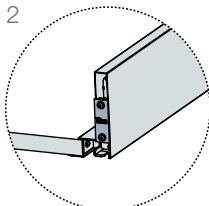

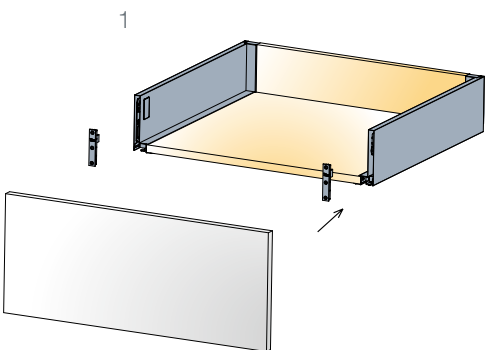
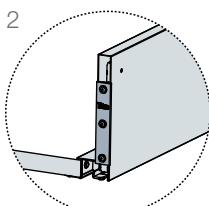

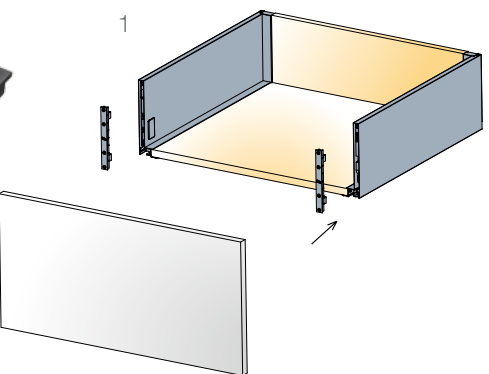
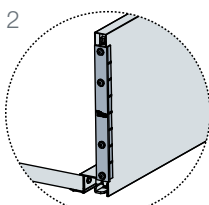
ECW: External cabinet width  
ICW: Internal cabinet width  
NL: Nominal length of drawer



# Accessories

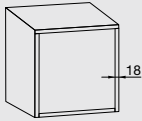



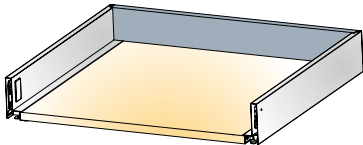


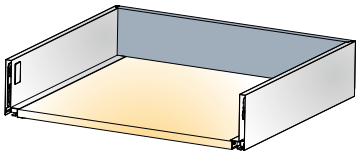


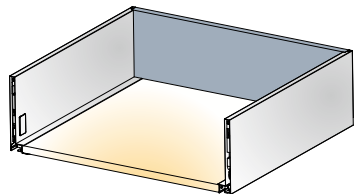
## Marking Jig



		Item number	Black
<p>Marking jig for Tekform Slimline drawer DW70</p>    <p>1 set      Made of plastic and steel</p>		655-8016 →	390
<p>Marking jig for Tekform Slimline drawer DW100</p>    <p>1 set      Made of plastic and steel</p>		655-8017 →	390
<p>Marking jig for Tekform Slimline drawer DW145 and DW182</p>    <p>1 set      Made of plastic and steel</p>		655-8018 →	390



# Steel Back Panel

		External cabinet width	Cabinet side Thickness=18mm 	 Antracite grey
		Item number		
Steel back panel DW70		600	655-7L60 →	185
		800	655-7L80 →	185
  <p>Mounting → see page 46</p> <p>10 pcs      Made of steel</p>				
Steel back panel DW145		600	655-7M60 →	185
		800	655-7M80 →	185
  <p>Mounting → see page 46</p> <p>10 pcs      Made of steel</p>				
Steel back panel DW182		600	655-7H60 →	185
		800	655-7H80 →	185
  <p>Mounting → see page 46</p> <p>10 pcs      Made of steel</p>				

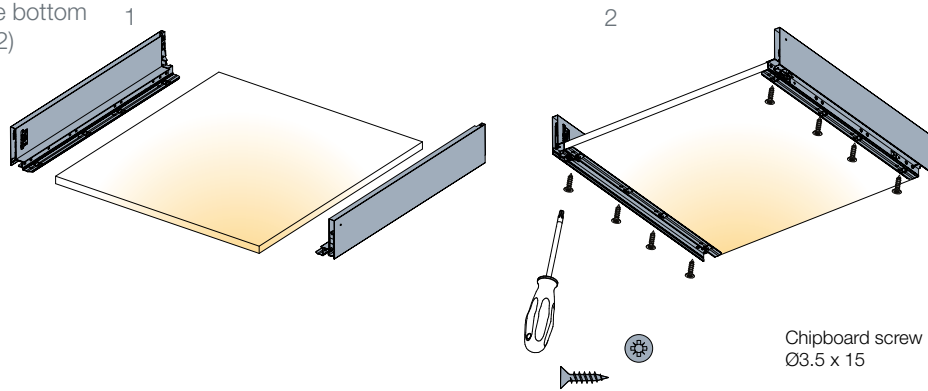
# Assembly Instructions



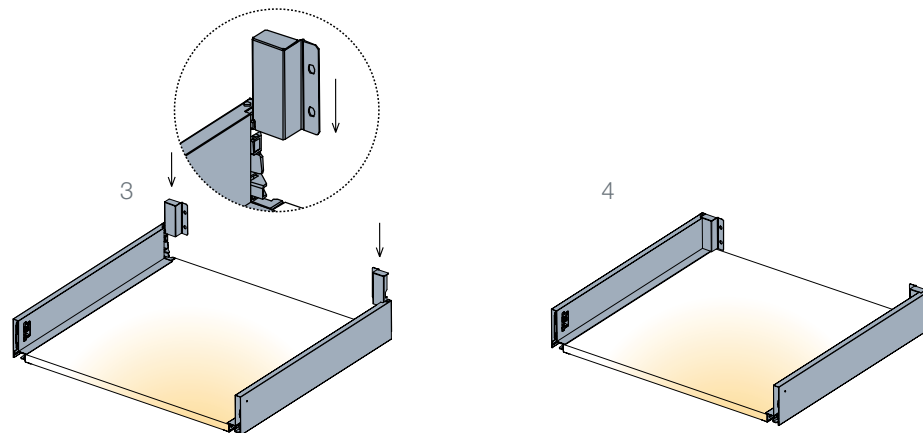
Screws are not included

## Assembly Sequence

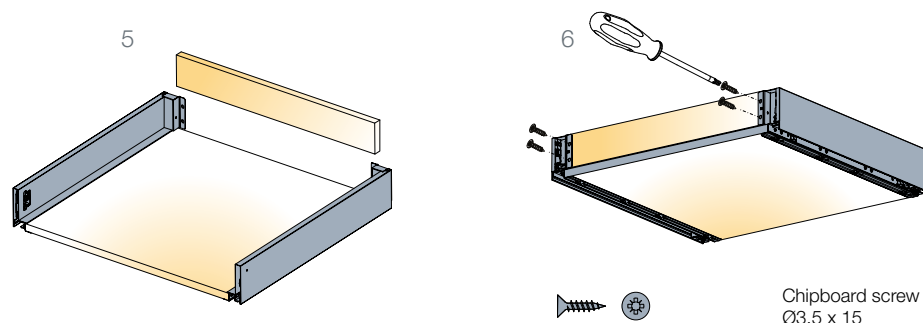
Connect the drawer sides to the bottom panel (1) and fix it with screws (2)




Insert the rear connector vertically (3) and push it downwards into recess in the drawer side (4)



Insert the back panel (5) and fix it with screws (6)

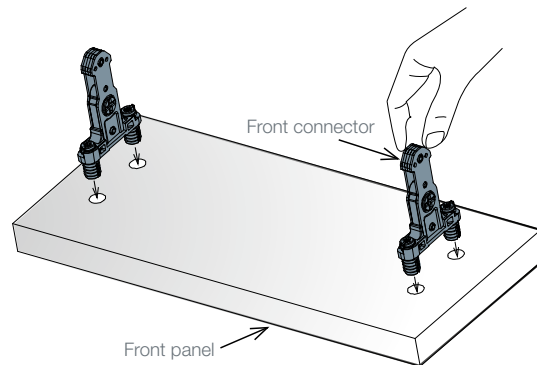


 Screws are not included

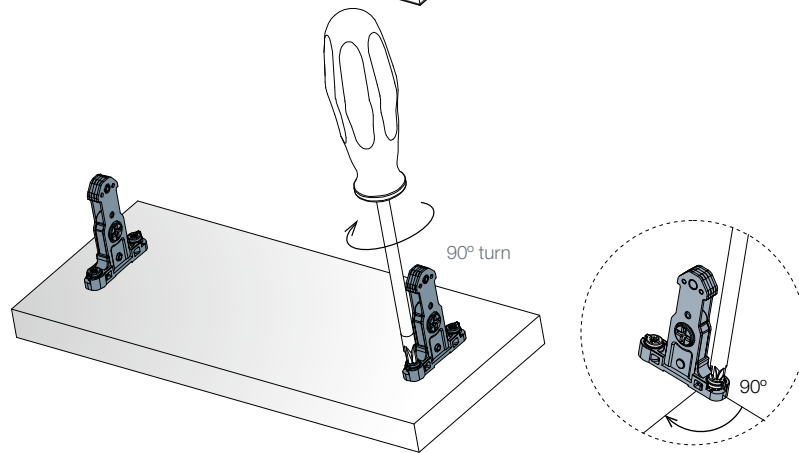
## Insertion of Front Connectors

### EasyFix

Insert the front connectors into holes on the front panel

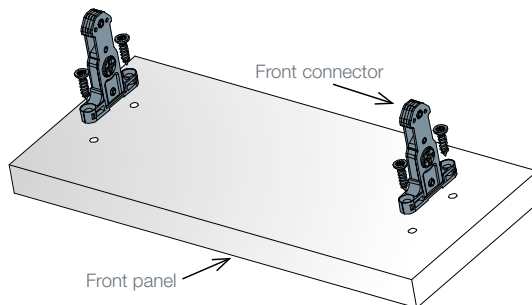



Turn the screws 90° into locked position

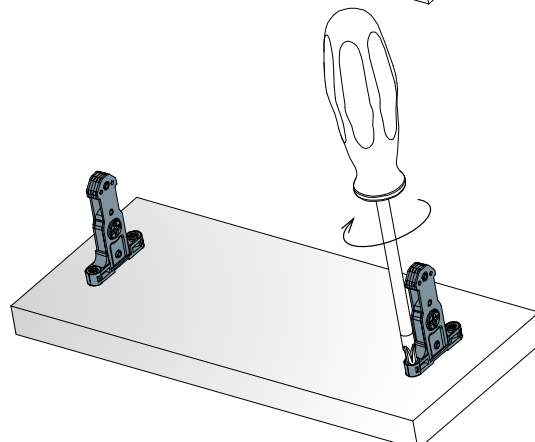


### Screw-in fixing

Use Ø3 x 15mm screws for fixing



 Chipboard screw  
Ø3.5 x 15

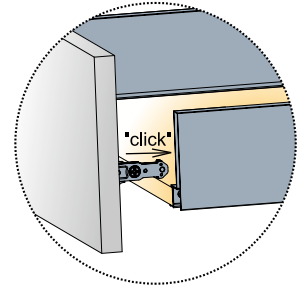
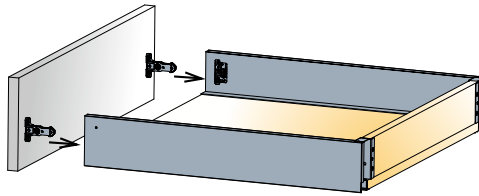


# Assembly Instructions

## Front Panel Mounting / Removal

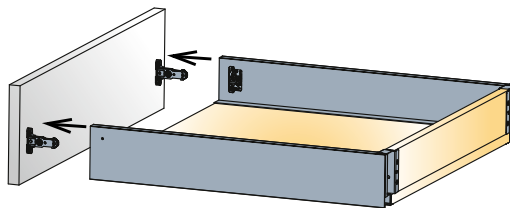
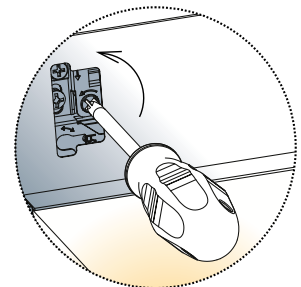
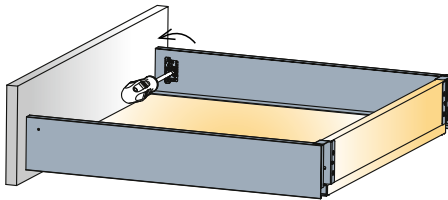
### Mounting

Attach the front panel to the drawer and press to click



### Removal

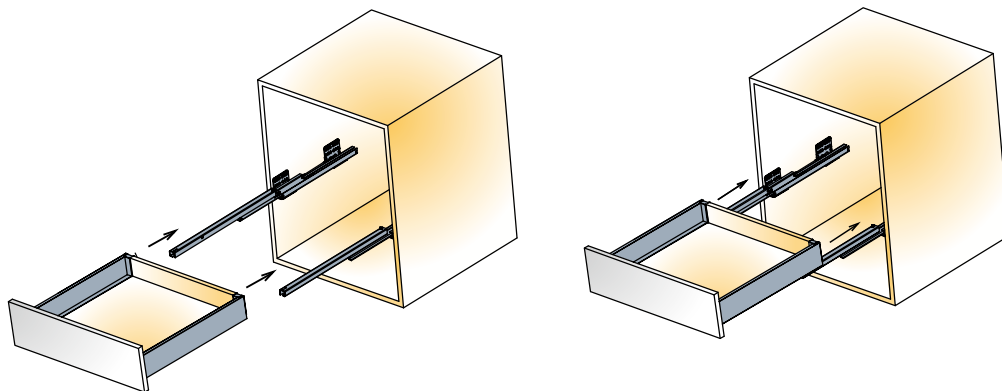
Turn the screw towards the front panel



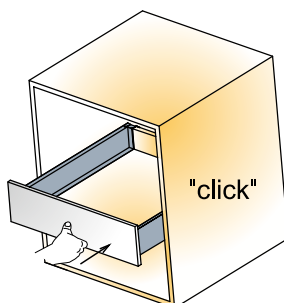
## Drawer Insertion / Removal

### Insertion

Place the drawer horizontally on the runners and push towards the cabinet until you hear the drawer is locked

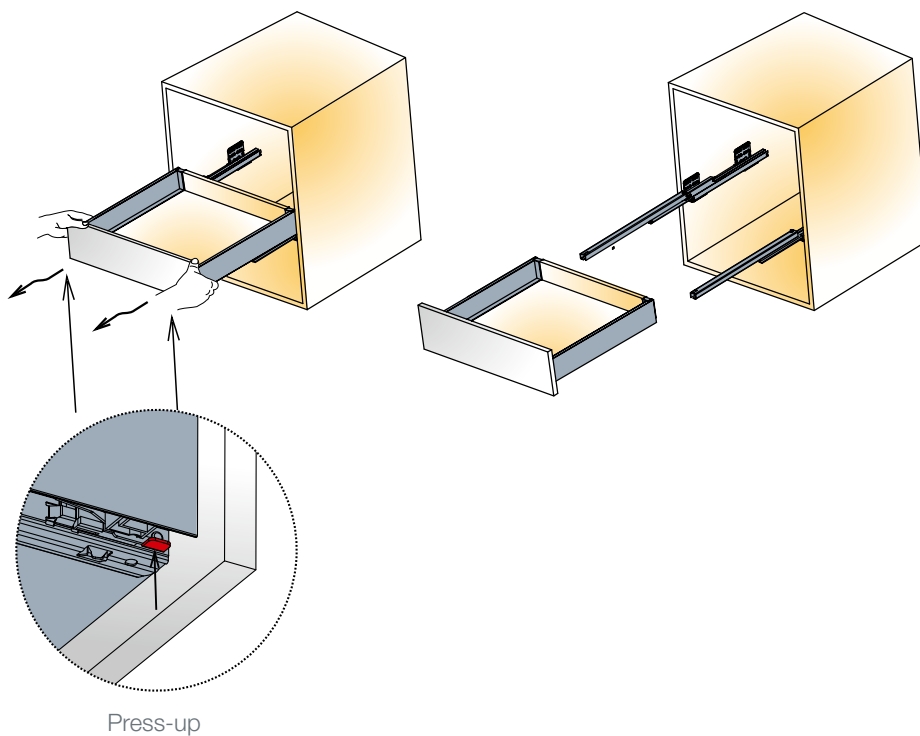


Push to fully close




### Removal

Press-up the button under the drawer. Keep pressed to pull the drawer out



# Accessories Mounting

## Steel Back Panel

 Screws are not included

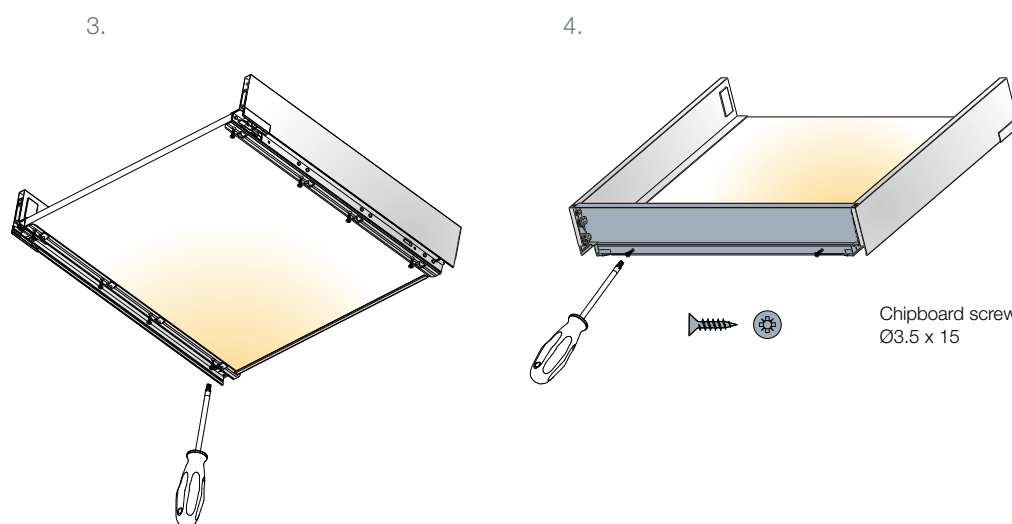
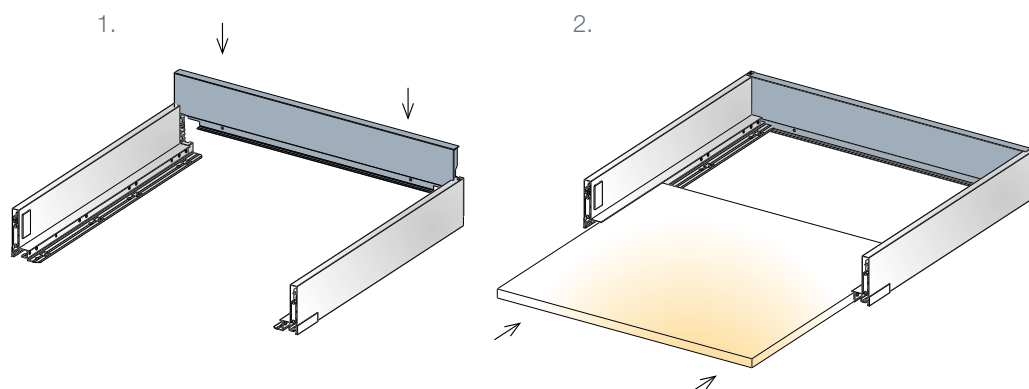
### Assembly Sequence

Insert the steel back panel vertically and push it downwards into recess in the drawer sides (1)

Slide the bottom panel horizontally into recess at the bottom of drawer sides (2)

Fix the bottom panels with screws (3)

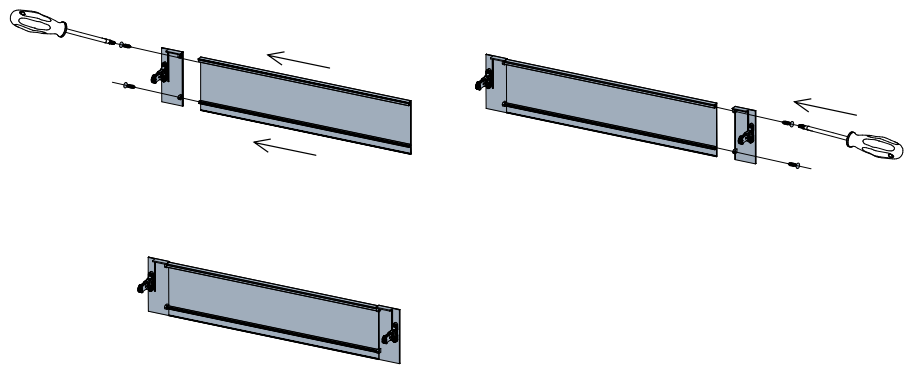
Fix the steel back panel with screws (4)



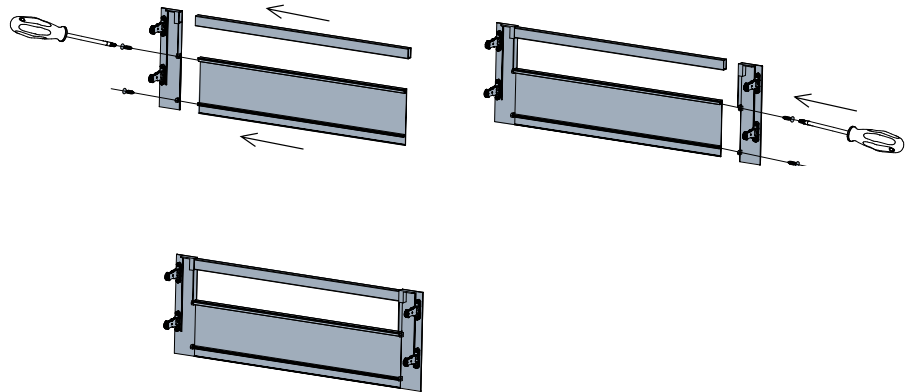
# Inner Drawer Front

## Assembly of Inner Drawer Front

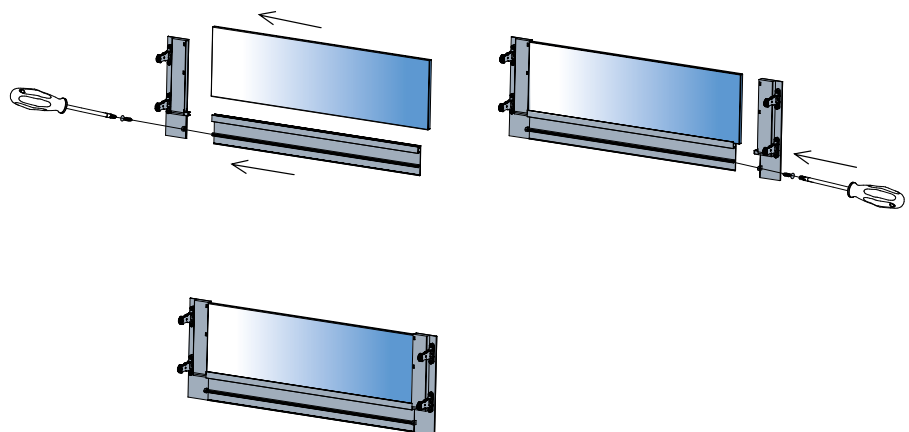
Slimline DW70



Slimline DW145 and DW182  
with bar



Slimline DW70, DW145 and  
DW182 with glass







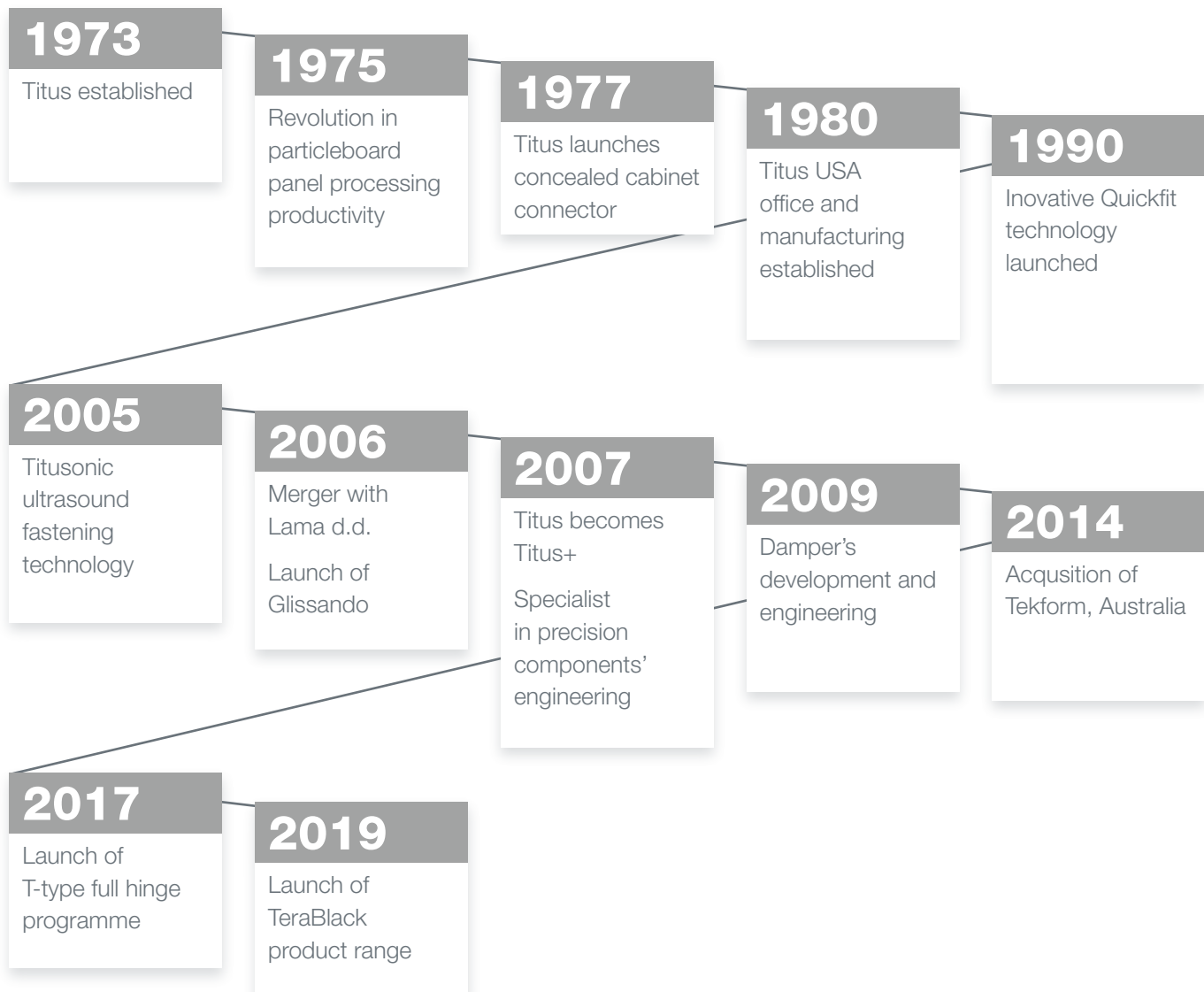
# The Titus Group Profile

# Titus Group

Titus focuses on the design, manufacture and distribution of connectors, concealed hinges drawers and soft closing mechanisms in furniture and household appliances.

Titus Group is owned and managed from its headquarters in United Kingdom. We are able to provide products and services to every customer around the world based on manufacturing facilities in Europe, North America, China, SE Asia, Australia and New Zealand.

**Quickfit technology makes Titus the World leader in connectors for RTA furniture**



## Vision

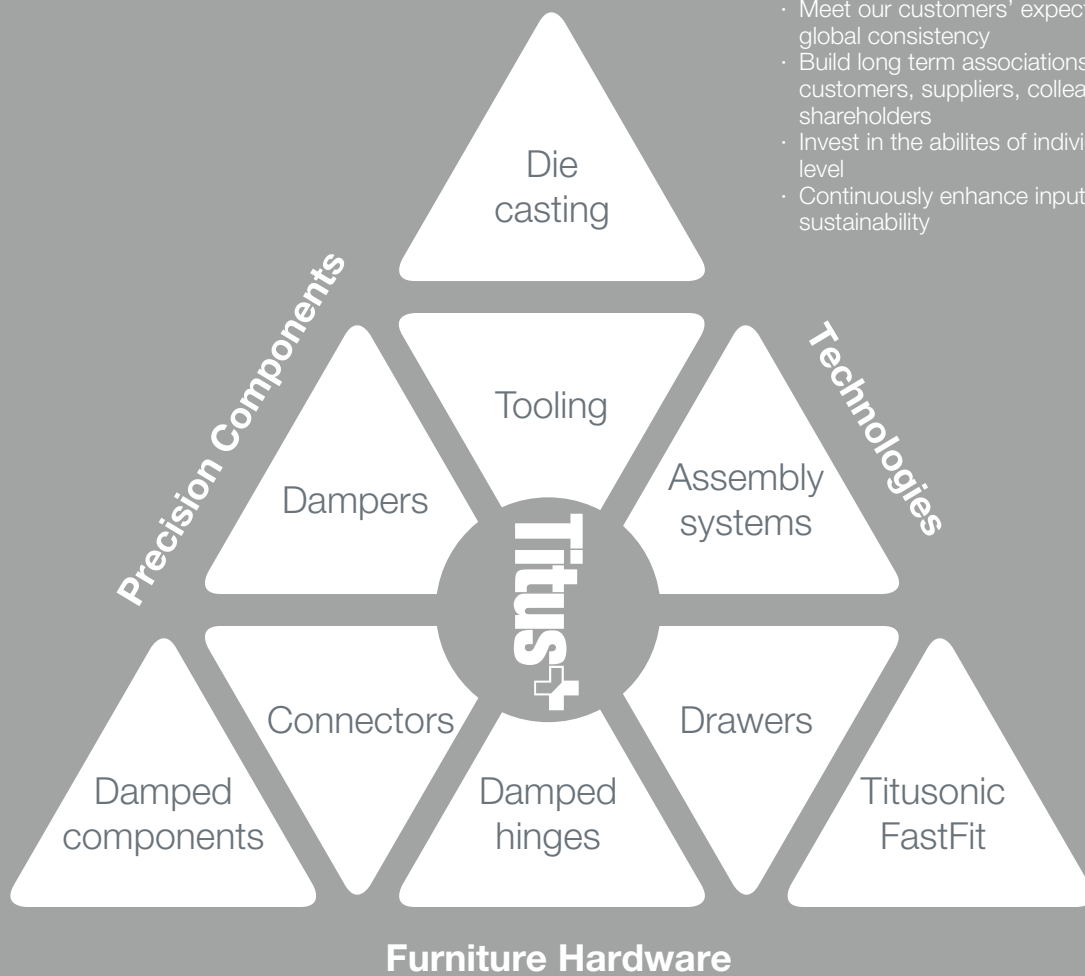
The world's best engineering for precision components

## Mission

To provide manufacturers with components' solutions that improve competitiveness

## Titus Business Philosophies and Principles

- Gain total knowledge of our customers and their markets
- Focus on identifying and creating high volume component niches
- Meet our customers' expectations with global consistency
- Build long term associations with customers, suppliers, colleagues and shareholders
- Invest in the abilities of individuals at every level
- Continuously enhance input efficiency and sustainability



## Furniture Hardware

- Cabinet connectors
- Concealed hinges
- Soft closing systems
- Drawers and drawer systems
- Kitchen accessories
- Furniture locks
- Decorative

## Components

- Dampers
- Precision components

## Technologies

- Automation systems
- Precision castings
- Die cast technologies
- Tooling
- Ultrasound fastening technology
- FastFit technology

# 'Totally Integrated Engineering'

## Product Design

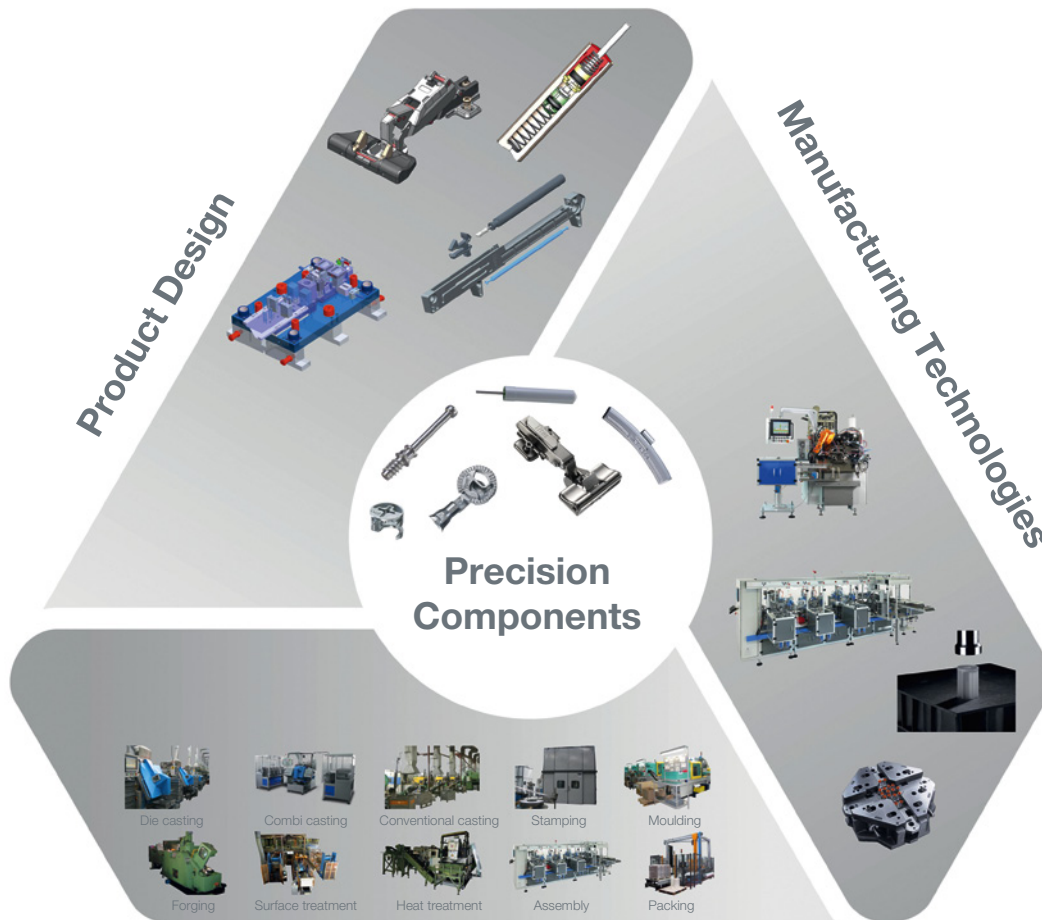
Design and engineering of unique components  
Consistent and repeatable product quality

## Manufacturing Technologies

to improve productivity and product quality

## Manufacturing Operations

A wide array of technologies and services required for high volume production of precision components available in-house



## Manufacturing Operations

### Fittings for purpose

Unique product advantages for better value for money and lower 'total installed cost'

### Innovations that improve

with less parts, less different parts, less preparation actions, faster assembly

### Fast time-to-market

# Quality

## Continuous Improvement

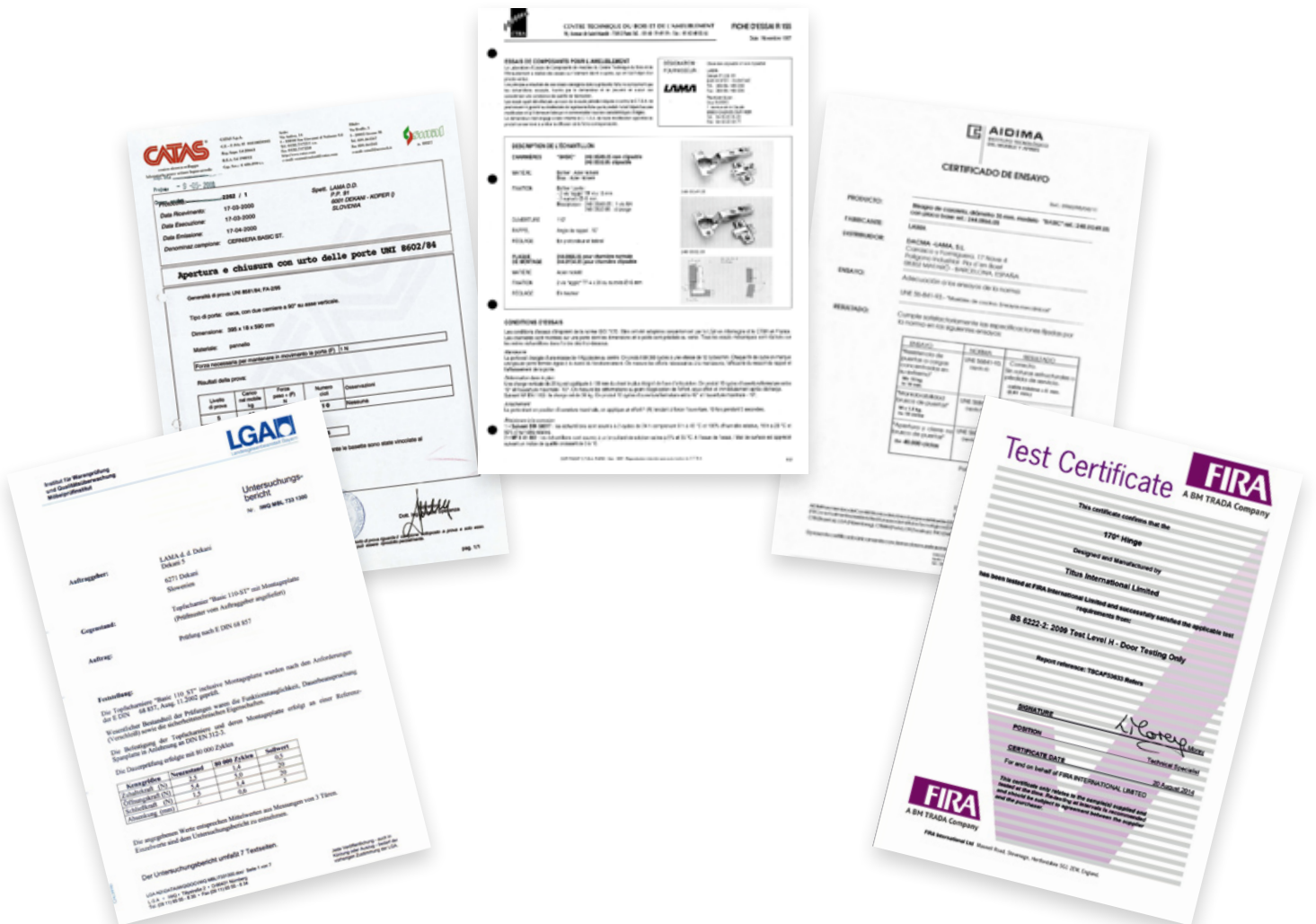
The Titus Group Mission, to improve the competitiveness of our customers, encourages us to continuously improve our products, services, processes and competencies of our employees.

## Quality

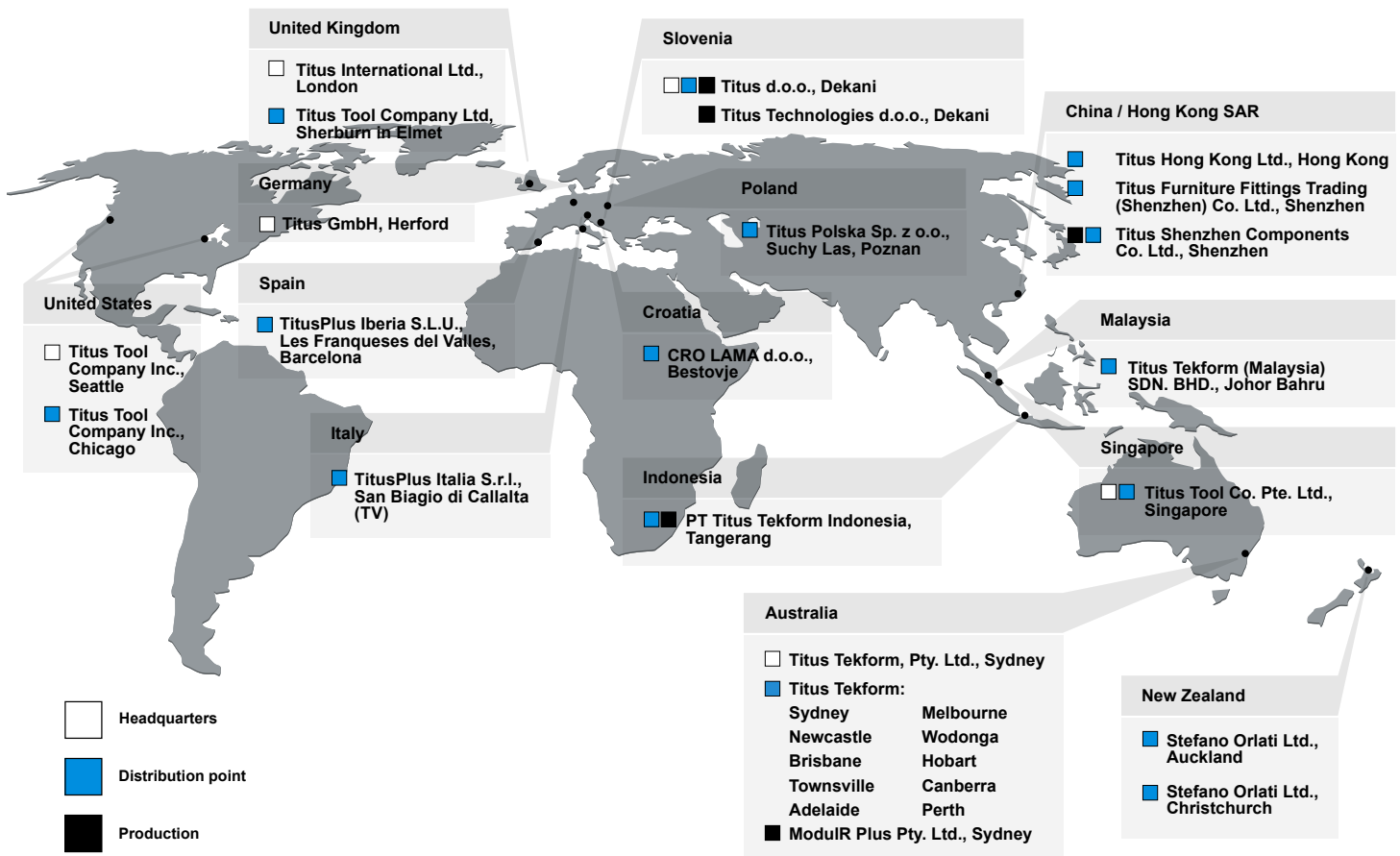
We believe that the Titus Mission is achieved most effectively through the management of our design, manufacturing and service activities in conformance with the ISO 9001 standard for quality management. Quality has a broad meaning for us: it is our guide to the selection of materials, work, processes, internal relations and cooperation with partners.

## Products

Our integrated quality system produces technically optimized products of high quality. They are assessed regularly in our own test labs as well as by internationally renowned institutions, such as LGA from Germany, CTBA from France, FIRA from United Kingdom, CATAS from Italy, AIDIMA from Spain, and others.



# Worldwide design, manufacturing and distribution capabilities



## Europe

**Titus d.o.o. Dekani**  
 Dekani 5  
 SI-6271 Dekani  
 Slovenia  
 +386 566 90 213  
 +386 566 90 205 Fax  
 info@titusplus.com

**Titus Technologies d.o.o.**  
 Dekani 5  
 SI-6271 Dekani  
 Slovenia  
 +386 566 90 146  
 technologies@titusplus.com

**Titus Tool Company Ltd.**  
 10 Blackburn Industrial Estate  
 Enterprise Way  
 Sherburn in Elmet  
 LS256NA  
 United Kingdom  
 +44 1977682 582  
 +44 1977680 481 Fax  
 uk@titusplus.com

**CRO LAMA d.o.o.**  
 Rakitska 10a  
 Rakitje  
 HR-10437 Bestovje  
 Croatia  
 +385 1 3323 033  
 +385 1 3323 233 Fax  
 croatia@titusplus.com

**Titus Polska Sp. z o.o.**  
 ul. Stefańskiego 17 A  
 PL-62-002 Suchy Las/Poznan  
 Poland  
 +4861 811 5402 Phone/Fax  
 +4861 811 5684 Phone/Fax  
 +4861 821 9362  
 poland@titusplus.com

**TitusPlus Italia S.r.l.**  
 Via Aquileia 9  
 Frazione Olmi  
 31048 San Biagio di Callalta (TV)  
 +39 04 221 650 120  
 +39 04 221 650 136 Fax  
 italia@titusplus.com

**TitusPlus Iberia S.L.U.**  
 C/ Gran Bretanya 34  
 08520 Les Franqueses del Valles  
 (Barcelona)  
 +34 938 715 404  
 +34 938 605 498 Fax  
 iberia@titusplus.com

**Titus GmbH, Herford**  
 Lübberlindenweg 12  
 D-32049 Herford  
 Germany  
 + 49 5221 102488-0  
 germany@titusplus.com

## America

**Titus Tool Co. Inc.**  
 2800 156th Avenue SE  
 Suite 135  
 Bellevue, WA 98007, USA  
 800 762 1616 toll free  
 +1 425 746 2080  
 +1 425 746 2344 Fax

**Titus Tool Co. Inc.**  
 11056 W. Addison Street  
 Franklin Park, IL 60131, USA  
 +1 253 872 2829  
 +1 253 872 2827 Fax  
 usa@titusplus.com

## Australia and New Zealand

**Titus Tekform Pty Ltd**  
 Unit 1, 41-43 Whyalla Place  
 Prestons NSW 2170  
 Australia  
 +61 2 9286 0007  
 +61 2 9826 0074 Fax  
 www.titustekform.com.au  
 info@titustekform.com.au

**Stefano Orlati Ltd**  
 34 Waipareira Avenue  
 Henderson  
 Auckland, New Zealand  
 +64 9 837 0886  
 +64 9 837 8003Fax  
 www.titustekform.com.au  
 info@titustekform.com.au

## Asia

**Titus Tool Co. Pte. Ltd.**  
 5004 Ang Mo Kio Ave 5  
 Techplace II #04-01  
 Singapore 569872  
 +656383 3922  
 +656383 3178 Fax  
 singapore@titusplus.com

**Titus Shenzhen Components Co. Ltd**  
 1st Floor, Building No. 2  
 Heng Changrong High-tech Industrial Park  
 Shangnan South Road  
 Shangjin Street  
 Baoan District Shenzhen Province  
 China  
 +86 755 8348 0916  
 +86 8359 2676 Fax  
 china@titusplus.com

**Titus Tekform Indonesia, PT**  
 Taman Tekno Blok L2 / 7  
 BSD Sektor XI - Tangerang 15314  
 Indonesia  
 T. +62 21 75873578  
 F. +62 21 75873574  
 indonesia@titusplus.com

## Headquarters

Titus International Ltd  
 325 Euston Road  
 London  
 NW1 3AD, United Kingdom  
 info@titusplus.com

www.titusplus.com  
 info@titusplus.com

# Index

Item number	Page
655-7P40	16
655-7P45	16
655-7P50	16
655-7S40	22
655-7S45	22
655-7S50	22
655-7T40	26
655-7T45	26
655-7T50	26
655-7U40	16
655-7U45	16
655-7U50	16
655-7W40	22
655-7W45	22
655-7W50	22
655-7X40	26
655-7X45	26
655-7X50	26
655-8016	40
655-8017	40
655-8018	40
655-8064	28, 32, 36
655-8065	28
655-8085	30, 34, 38
655-8090	32, 36
655-8096	34
655-8097	34
655-8098	34
655-8101	32
655-8103	34
655-8165	38
655-8166	38
655-8167	38
655-8170	36
655-8172	38
655-8220	34
655-8221	34
655-8222	34
655-8280	38
655-8281	38
655-8282	38
655-8295	30
655-8296	30
655-8297	30
655-8300	30
655-8301	30
655-8302	30
655-8305	30
655-8E27	14
655-8E30	14
655-8E35	14
655-8E40	14
655-8E45	14
655-8E50	14
655-8E55	14
655-8F27	18
655-8F30	18
655-8F35	18
655-8F40	18
655-8F45	18
655-8F50	18
655-8F55	18
655-8G27	20
655-8G30	20
655-8G35	20
655-8G40	20

Item number	Page
655-8G45	20
655-8G50	20
655-8G55	20
655-8H27	24
655-8H30	24
655-8H35	24
655-8H40	24
655-8H45	24
655-8H50	24
655-8H55	24
655-8T27	14
655-8T30	14
655-8T35	14
655-8T40	14
655-8T45	14
655-8T50	14
655-8T55	14
655-8U27	18
655-8U30	18
655-8U35	18
655-8U40	18
655-8U45	18
655-8U50	18
655-8U55	18
655-8V27	20
655-8V30	20
655-8V35	20
655-8V40	20
655-8V45	20
655-8V50	20
655-8V55	20
655-8Z27	24
655-8Z30	24
655-8Z35	24
655-8Z40	24
655-8Z45	24
655-8Z50	24
655-8Z55	24
655-7L60	41
655-7L80	41
655-7M60	41
655-7M80	41
655-7H60	41
655-7H80	41

Your authorized dealer

Titus Group  
[www.titusplus.com](http://www.titusplus.com)

TekformDrawerSlimline 03.4 Eng May20