



Tekform Drawer

2020

Important Information

Technical information

While every effort has been made in the production of this catalogue to ensure the accuracy of information, our products are continually being revised and users should confirm the up to date specification before ordering. Due to constant improvement of products presented in the catalogue, we can make changes at any time and without notice.

Responsibility

It is the responsibility of the user to ensure the fitness of hardware for the intended purpose. We recommend assessment by appropriate testing in the application and by technical enquiry to our representatives.

Intellectual property

Titus Group owns the intellectual property rights in its products worldwide whether as trademarks, patents, intellectual, copyright, designs, illustrations, drawings and the 'know how' contained in their design and production. Titus Group respects the equivalent rights in competitors and all other relevant product design rights. To our knowledge our products do not infringe any intellectual property rights of competitors or other parties. Titus Group takes infringements of its rights seriously and will rigorously defend these rights to the full extent of the law.

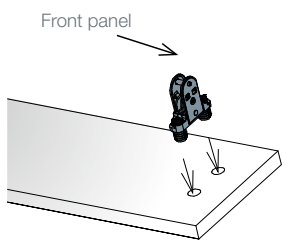
*Non preferred articles

All Item numbers in the catalogue marked with * are for non preferred items available on extended delivery times.

Trademarks

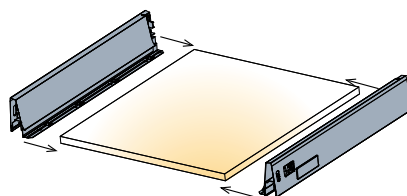
Titus and Titusonic are registered trademarks of Titus International Ltd. Titus Technologies is a registered trademark of Titus d.o.o. Dekani, WoodWelding is a registered trademark of WW SA.

Tekform Drawer



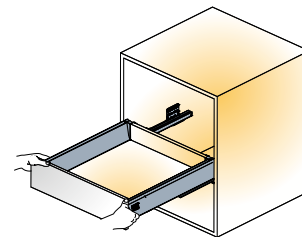
'EasyFix' front panel connector

- Hand insertion
- Quarter turn lock
- Repeatable assembly and disassembly possible



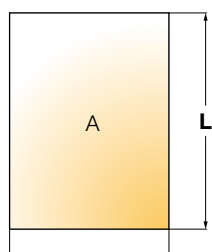
User friendly mounting

- Intuitive installation instructions
- Easy assembly and disassembly of the drawer



Superior vertical and horizontal stability of rails

- Smooth and silent operating
- Reliable drawer opening and closing
- Improved drawer stability in open position



Internal cabinet width tolerance +/- 1mm



Precise drawer alignment

- Tekform Drawer provides a +/- 1mm tolerance on drawer bottom width
- Intuitive drawer front adjustment

Titus damper inside

- Life-long reliable closing
- Consistent damping at various closing speeds
- 'Confident Close'

Quality certified

- By European specialized institutions

Tekform Drawer

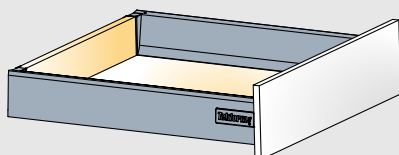
Product Guide

Page

Tekform Drawer

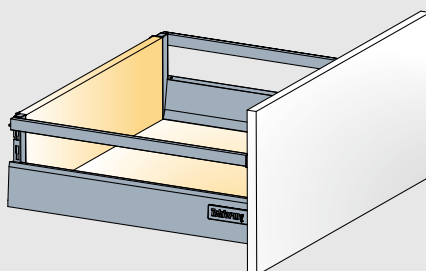
Tekform Drawer DW70

14



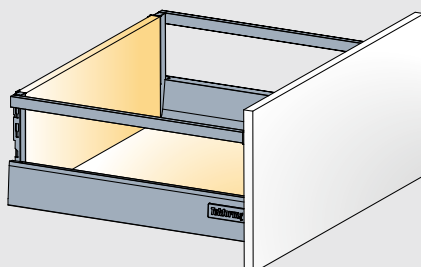
Tekform Drawer DW145

16



Tekform Drawer DW182

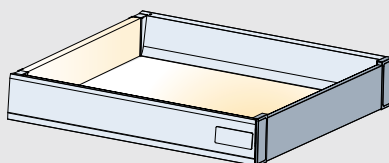
18



Inner Drawer Fronts

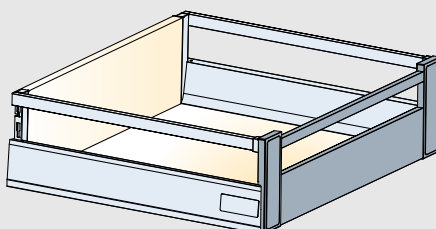
For DW70

20



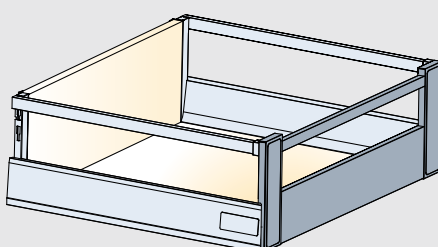
For DW145 with square bar

22



For DW182 with square bar

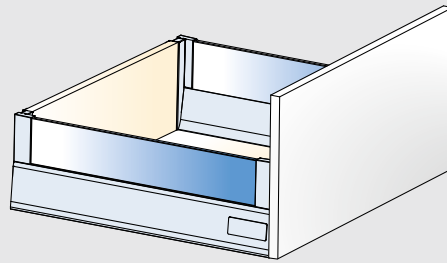
24



Accessories

Glass sides 8mm

26



Bars and Connectors

27

Marking jig for Front Panel

28

Tekform Drawer Information

Technical Guide

How to choose the appropriate drawer dimension?

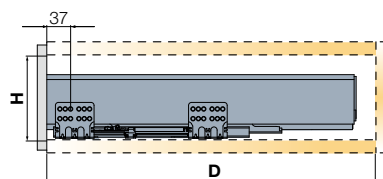
Select Tekform Drawer size based on available cabinet space. Please refer to the below chart with indicated minimum

space required in cabinet to choose appropriate drawer system.

Tekform Drawer nominal length (NL) in mm

NL	270	300	350	400	450	500	550
----	-----	-----	-----	-----	-----	-----	-----

	Tekform Drawer		Tekform Drawer with inner front	
	Min. height H required	Cabinet depth D	Min. height H required	Cabinet depth D
Tekform Drawer DW70	105mm	NL+min 3mm	115mm	NL+min 12mm
Tekform Drawer DW145	185mm	NL+min 3mm	193mm	NL+min 12mm
Tekform Drawer DW182	224mm	NL+min 3mm	224mm	NL+min 12mm



How to fix drawer sides to the front panel?

Tekform Drawer is available with 'EasyFix' or screw-in front connectors



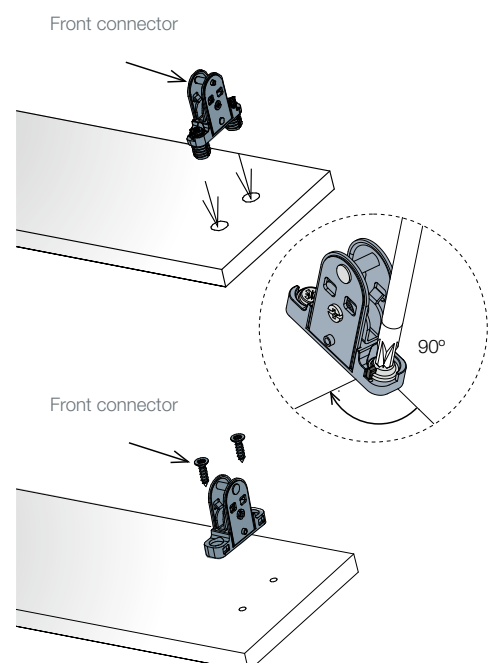
EasyFix' front connector

- hand insertion
- quarter turn locking system
- expandable plastic dowel
- easy assembly and disassembly of front panel



Screw-in front connector

- reliable connection
- fixing with Ø3.5x15mm screw (screws are not included)



Bottom panel and back panel cutting dimensions

Dimensions of bottom and back panel depends on:

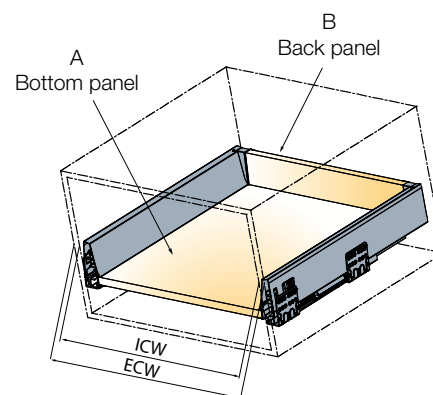
- cabinet width
- nominal drawer length
- drawer height

Tekform Drawer nominal length (NL) in mm

NL	270	300	350	400	450	500	550
----	-----	-----	-----	-----	-----	-----	-----

Cabinet width

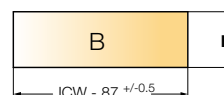
ECW: External cabinet width
ICW: Internal cabinet width
NL: Nominal length of drawer



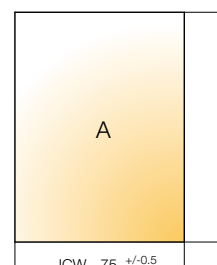
Back panel cutting dimension

Back panel height depends on the selected drawer height

	H back panel
DW70	68
DW145	151
DW182	183



Bottom panel cutting dimensions



NL	270	300	350	400	450	500	550
L	260	290	340	390	440	490	540

NL= Tekform Drawer nominal length (in mm)

Tekform Drawer Information

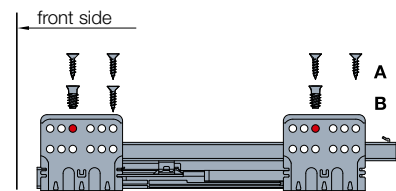
Technical Guide

How to choose the appropriate drawer runner fixing positions?

Drawer fixing positions depend on the chosen drawer front type.

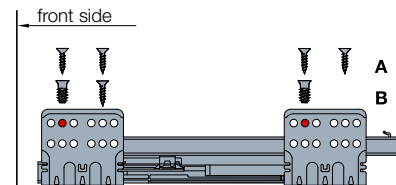
Tekform Drawer with standard front

When a standard drawer front is applied, use the third hole on the drawer runner to fix it.



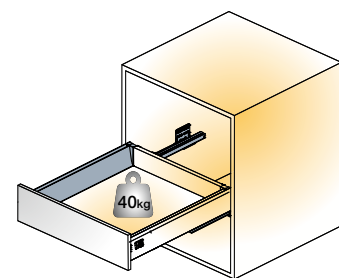
Tekform Drawer with inner front

When an inner drawer front is applied, use the second hole on the drawer runner for fixing.



Load capacity

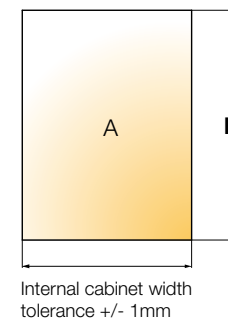
Tekform Drawer load capacity is 40 kg.



Expanded tolerances

Tekform Drawer provides expanded tolerances in cabinet construction and assures:

- precise drawer alignment
- smooth and silent operating
- Improved drawer stability in open position
- Tekform Drawer provides tolerance of +/-1mm on bottom width size

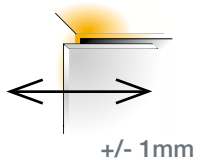




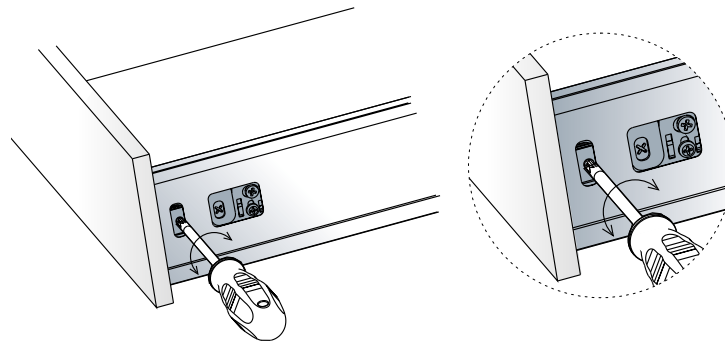
Adjustment needs to be done on both sides of the drawer

Adjustments

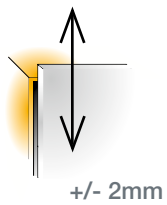
Side adjustment



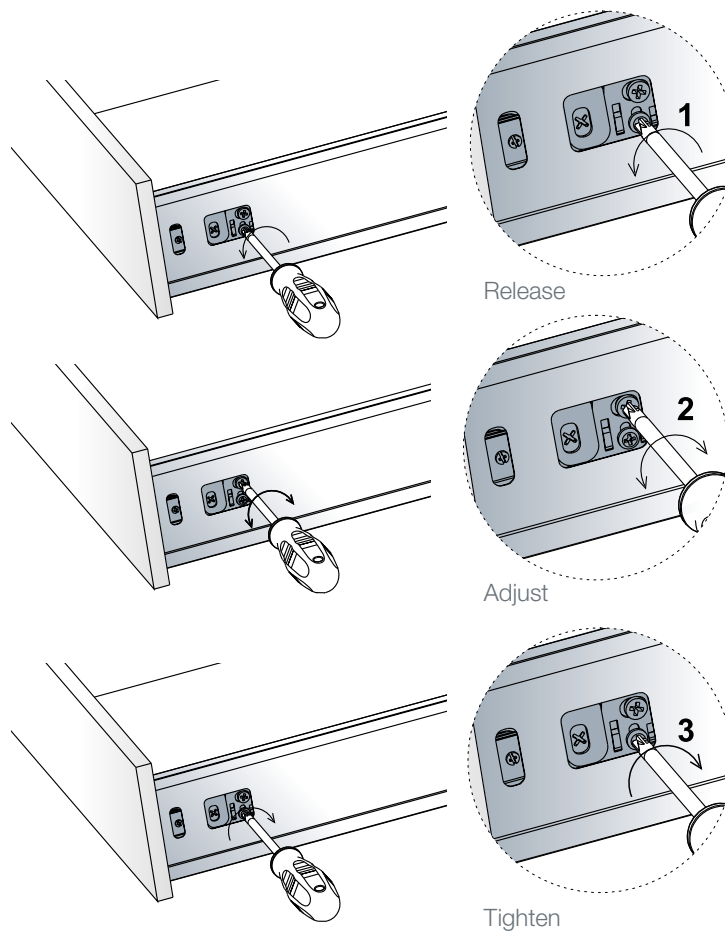
Side adjustment is done through the adjustment screw on the drawer side.



Height adjustment



Height adjustment is done through the cam. Release first the locking screw and tighten it back after the front is adjusted.



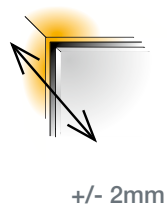
Tekform Drawer Information



Adjustment needs to be done on both sides of the drawer

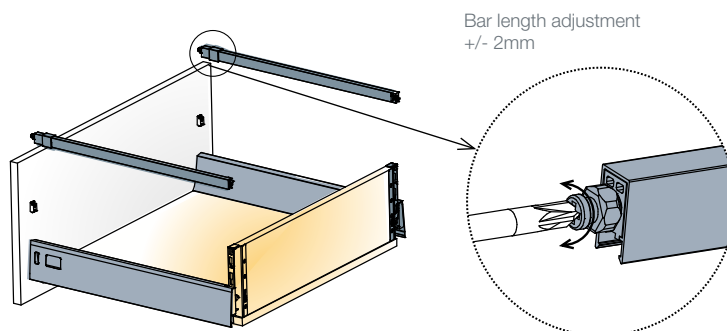
Adjustments

Depth adjustment



Depth adjustment is done through the connecting bar.

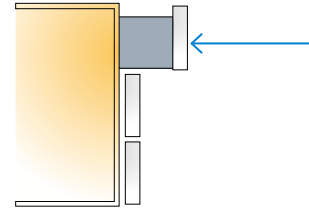
Please note: connecting bars can't be used with the 8mm thick glass sides.



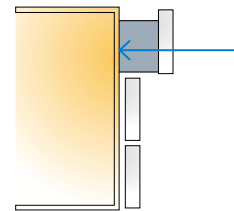
Key Design Choices

ConfidentClose

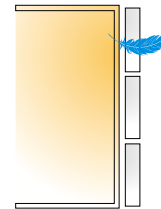
Fast closing



Late start of damping



Quiet landing



Titus hydraulic damper

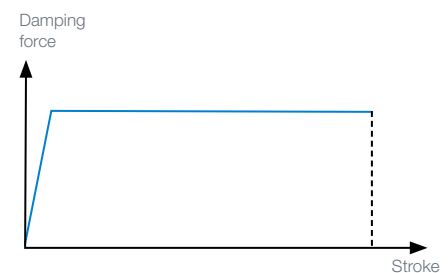
Titus hydraulic damper, designed and produced in-house

- Reliable and consistent life-long damping
- Smooth closing
- Damper's consistency over high volume production runs assured
- 100% automated quality check



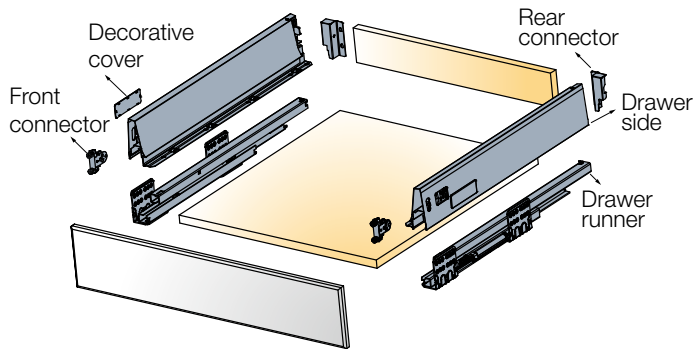
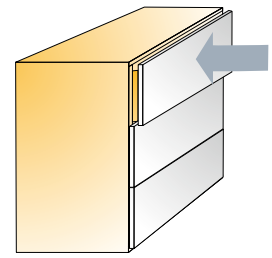
Damping action

Even and smooth soft closing action
 · Soft and reliable closing

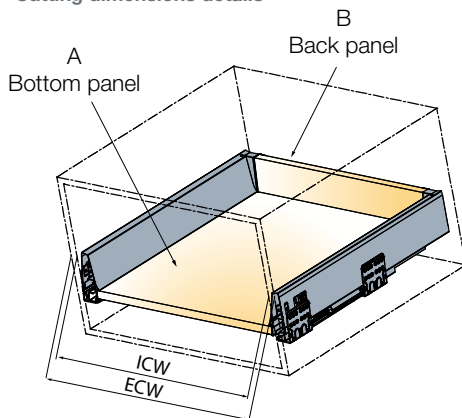


Flat damping curve shows the uniform action produced during damper closing at a defined speed.

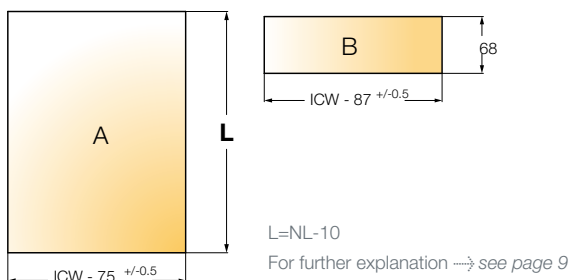
Tekform Drawer DW70



Cutting dimensions details



ECW: External cabinet width
 ICW: Internal cabinet width
 NL: Nominal length of drawer



 4 sets

Nominal length	with EasyFix front connector	with Screw-in front connector		
	Item number for a set	Item number for a set	White	Grey
270	650-8027 →	650-8327 →	150	180
300	650-8030 →	650-8330 →	150	180
350	650-8035 →	650-8335 →	150	180
400	650-8040 →	650-8340 →	150	180
450	650-8045 →	650-8345 →	150	180
500	650-8050 →	650-8350 →	150	180
550	650-8055 →	650-8355 →	150	180

Assembly instructions → see page 30

One set consists of

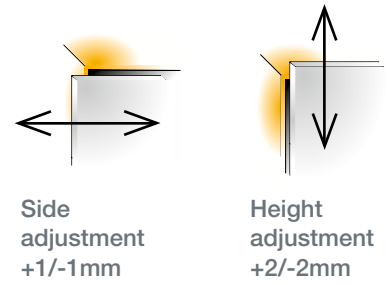
Drawer sides		2 pcs
Drawer runner		2 pcs
*Front connectors		2 pcs
Rear connectors		2 pcs
Decorative covers		2 pcs
Mounting instructions		1 pc/4 sets

Screws are not included

*Which front connector is included depends on the ordered item number

- Drawer runner type
- Load capacity
- Minimal height space required
- Wooden back panel thickness
- Wooden bottom panel thickness

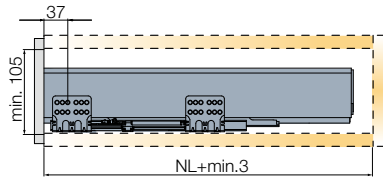
full extension
40 kg
105mm
16mm
16mm



For further explanation → see page 11-12

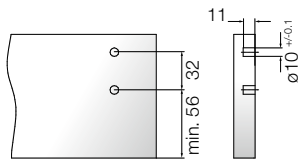
Installation dimensions

Minimum space required for the cabinet

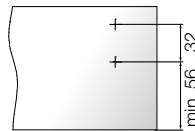


Drilling dimensions for the front panel

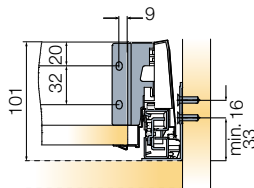
EasyFix attachment



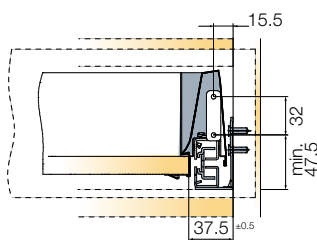
Screw-in attachment



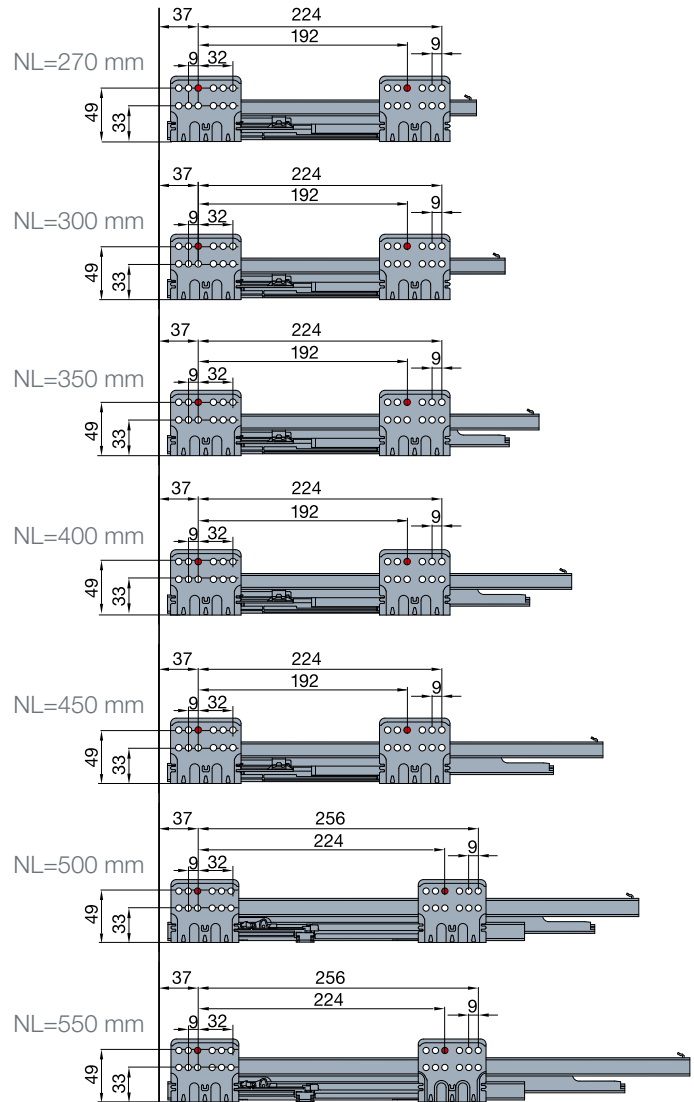
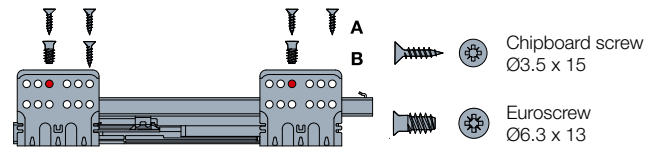
Mounting dimensions for the back panel



Installation dimensions for the front panel

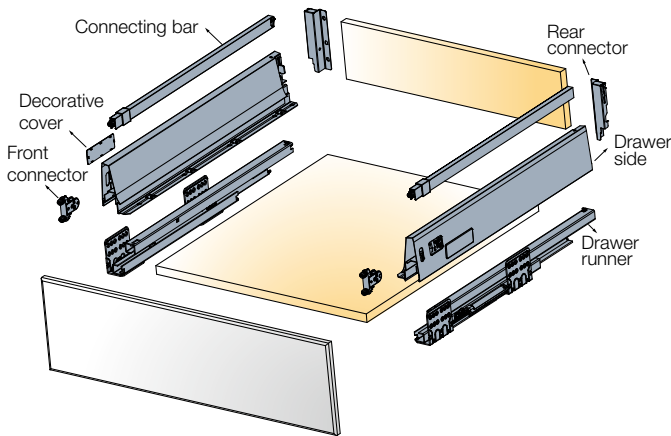
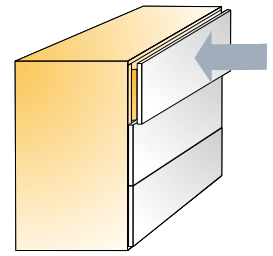


Drawer runner fixing positions

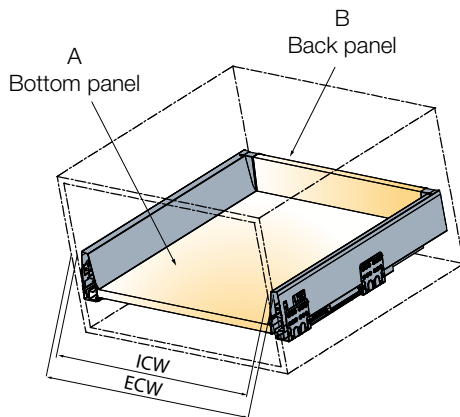


A trial mounting is always recommended.
For further information please contact your
Titus Group representative.

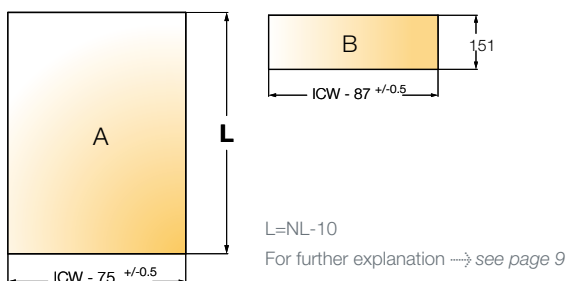
Tekform Drawer DW145




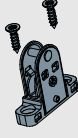
Cutting dimensions details



ECW: External cabinet width
ICW: Internal cabinet width
NL: Nominal length of drawer










 4 sets

NL	with EasyFix front connector	with Screw-in front connector		
Nominal length				
	Item number for a set	Item number for a set	White	Grey
270	650-8127 →	650-8827 →	150	180
300	650-8130 →	650-8830 →	150	180
350	650-8135 →	650-8835 →	150	180
400	650-8140 →	650-8840 →	150	180
450	650-8145 →	650-8845 →	150	180
500	650-8150 →	650-8850 →	150	180
550	650-8155 →	650-8855 →	150	180

Assembly instructions → see page 30

One set consists of

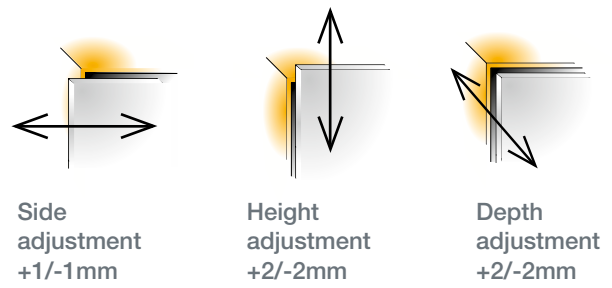
Drawer sides		2 pcs
Drawer runner		2 pcs
Connecting bars		2 pcs
*Front connectors		2 pcs
Rear connectors		2 pcs
Decorative covers		2 pcs
Mounting instructions		1 pc/4 sets

Screws are not included

*Which front connector is included depends on the ordered item number

- Drawer runner type
- Load capacity
- Minimal height per drawer required
- Wooden back panel thickness
- Wooden bottom panel thickness

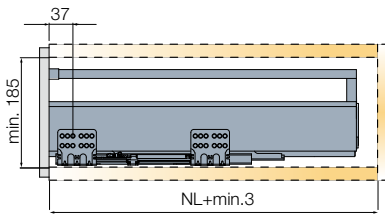
full extension
40 kg
185mm
16mm
16mm



For further explanation → see page 11-12

Installation dimensions

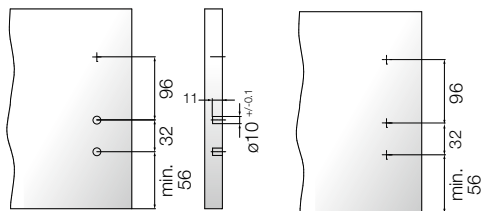
Minimum space required for the cabinet



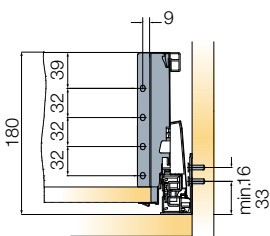
Drilling dimensions for the front panel

EasyFix attachment

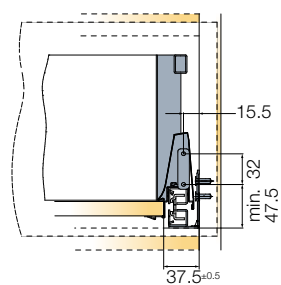
Screw-in attachment



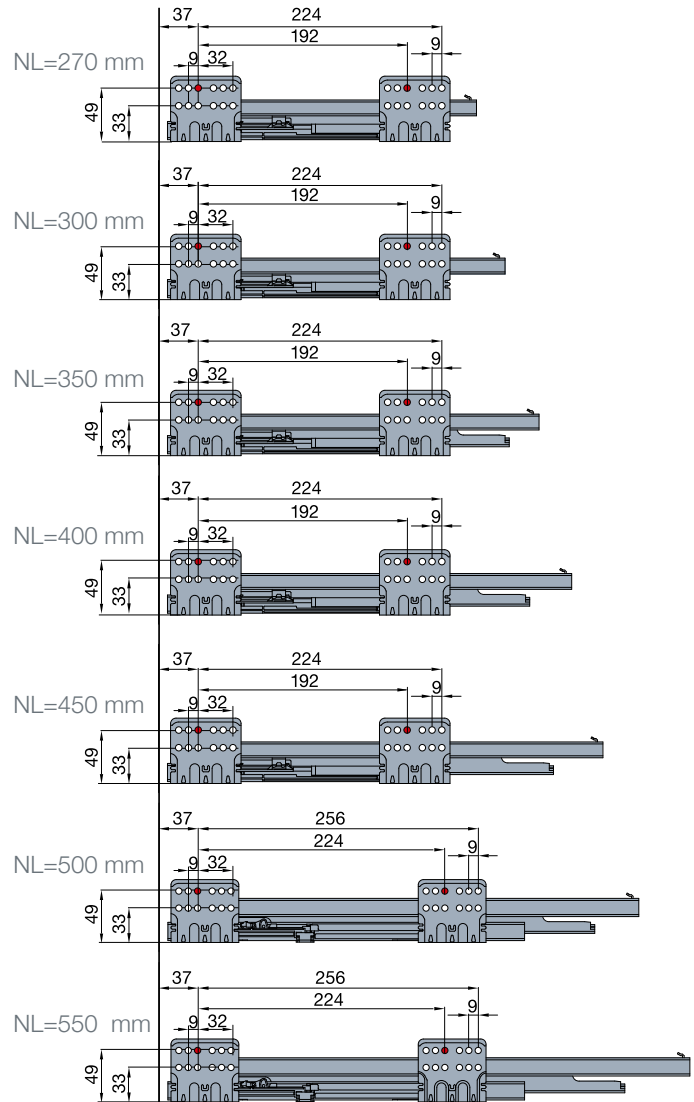
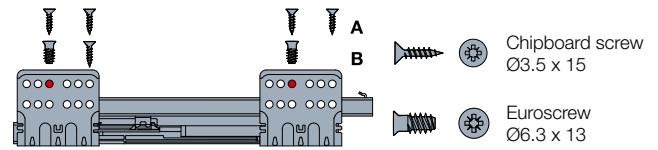
Mounting dimensions for the back panel



Installation dimensions for the front panel

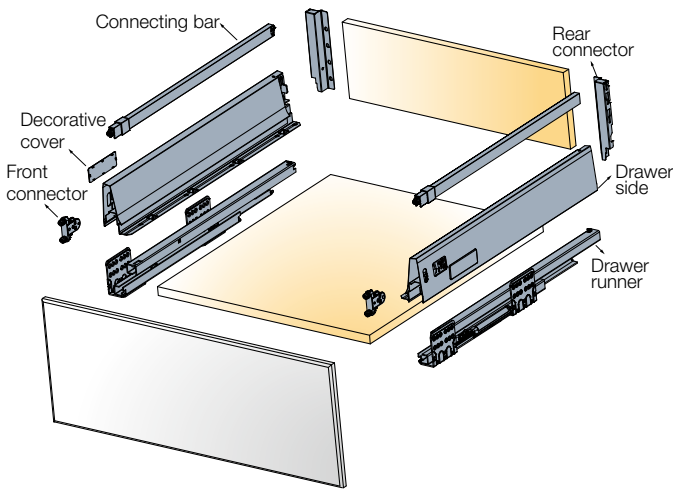
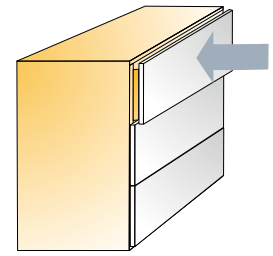


Drawer runner fixing positions

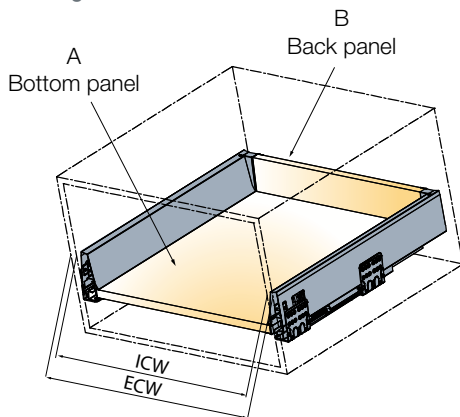


A trial mounting is always recommended.
For further information please contact your Titus Group representative.

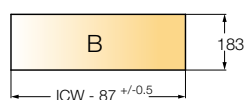
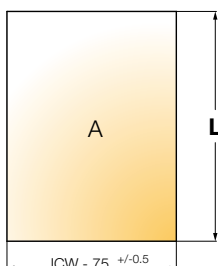
Tekform Drawer DW182



Cutting dimensions details



ECW: External cabinet width
 ICW: Internal cabinet width
 NL: Nominal length of drawer



$L = NL - 10$
 For further explanation → see page 9

4 sets

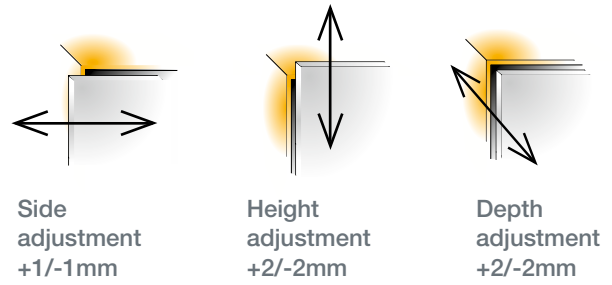
NL	with EasyFix front connector	with Screw-in front connector			
Nominal length					
	Item number for a set	Item number for a set	White	Grey	
	270	650-8227 →	650-8927 →	150	180
	300	650-8230 →	650-8930 →	150	180
	350	650-8235 →	650-8935 →	150	180
	400	650-8240 →	650-8940 →	150	180
	450	650-8245 →	650-8945 →	150	180
	500	650-8250 →	650-8950 →	150	180
550	650-8255 →	650-8955 →	150	180	
Assembly instructions → see page 30					
One set consists of					
Drawer sides				2 pcs	
Drawer runner				2 pcs	
Connecting bars				2 pcs	
*Front connectors				2 pcs	
Rear connectors				2 pcs	
Decorative covers				2 pcs	
Mounting instructions				1 pc/4 sets	

Screws are not included

*Which front connector is included depends on the ordered item number

- Drawer runner type
- Load capacity
- Minimal height per drawer required
- Wooden back panel thickness
- Wooden bottom panel thickness

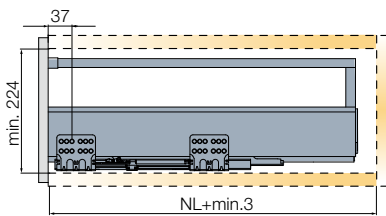
full extension
40kg
224mm
16mm
16mm



For further explanation → see page 11-12

Installation dimensions

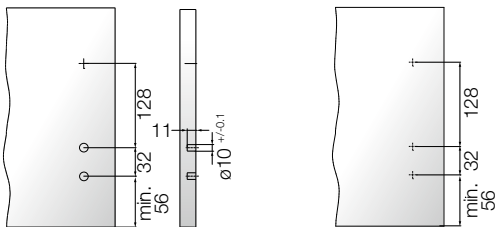
Minimum space required for the cabinet



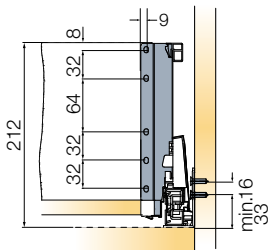
Drilling dimensions for the front panel

EasyFix attachment

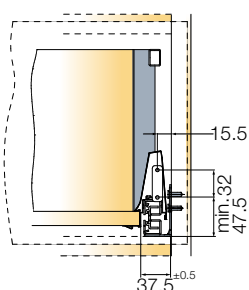
Screw-in attachment



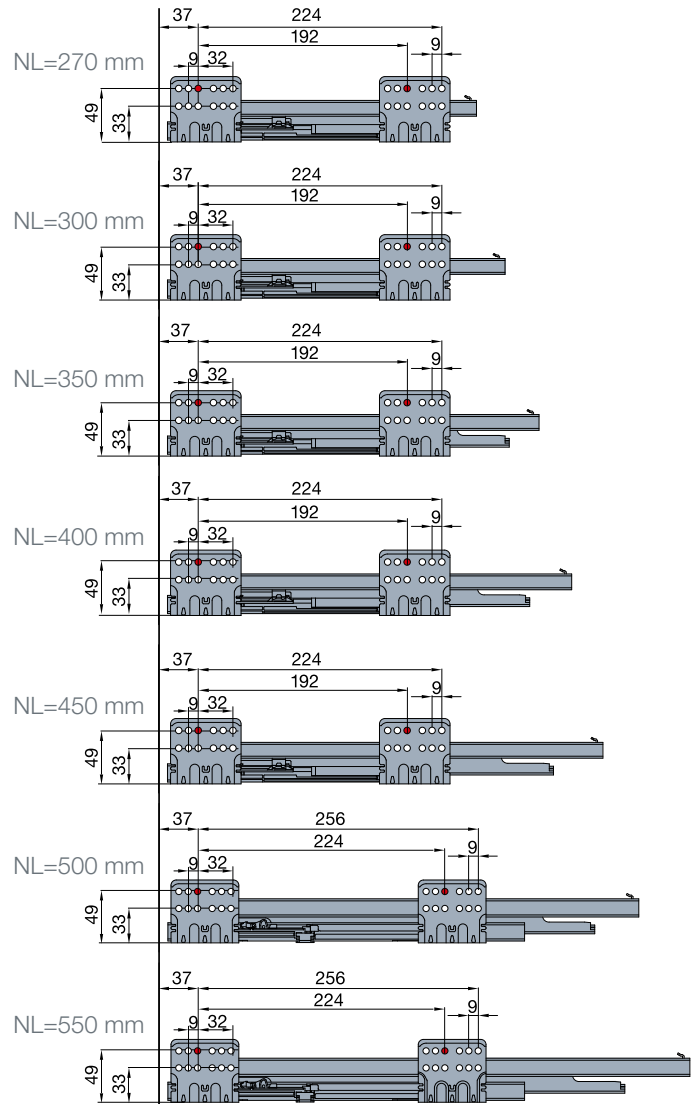
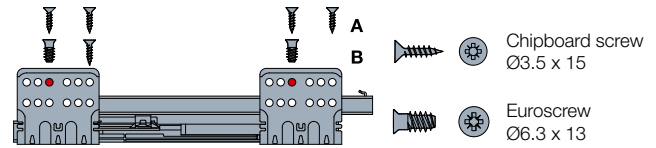
Mounting dimensions for the back panel



Installation dimensions for the front panel

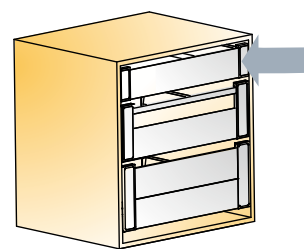


Drawer runner fixing positions

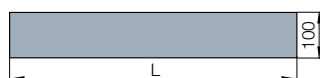


A trial mounting is always recommended.
For further information please contact your Titus Group representative.

Inner Drawer Front for Tekform Drawer DW70



Front panel



Cutting dimension L = ICW-90

ICW → see page 23



20 pcs

Made of aluminium

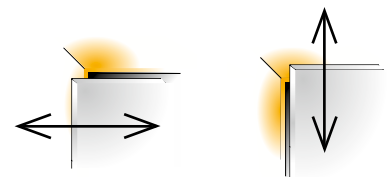
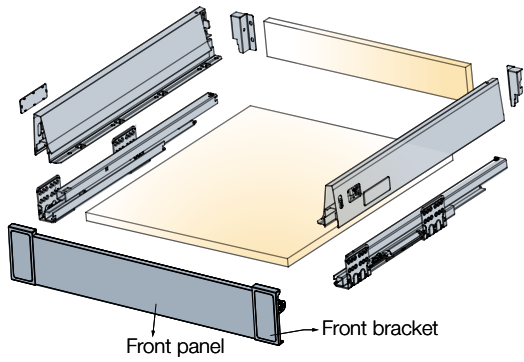
Front bracket set DW70
(L+R)



40 sets

Made of plastic and aluminium

ECW	L	Item number	White	Grey
External cabinet width				
1200		650-8569 →	511	512
Assembly instructions → see page 36				
		650-8912 →	350	380
Assembly instructions → see page 36				



Side adjustment
+1/-1mm

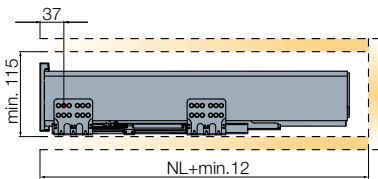
Height adjustment
+2/-2mm

For further explanation → see page 11-12

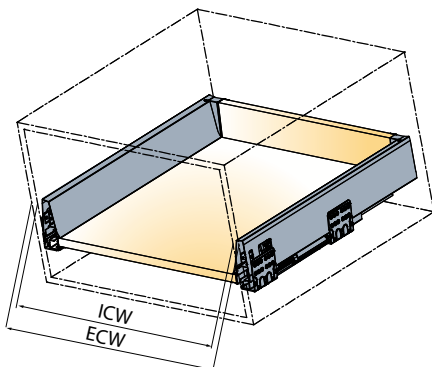
Installation dimensions

Drawer runner fixing positions

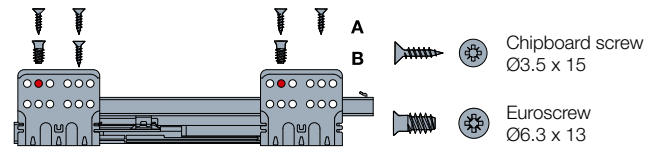
Minimum space required for the cabinet



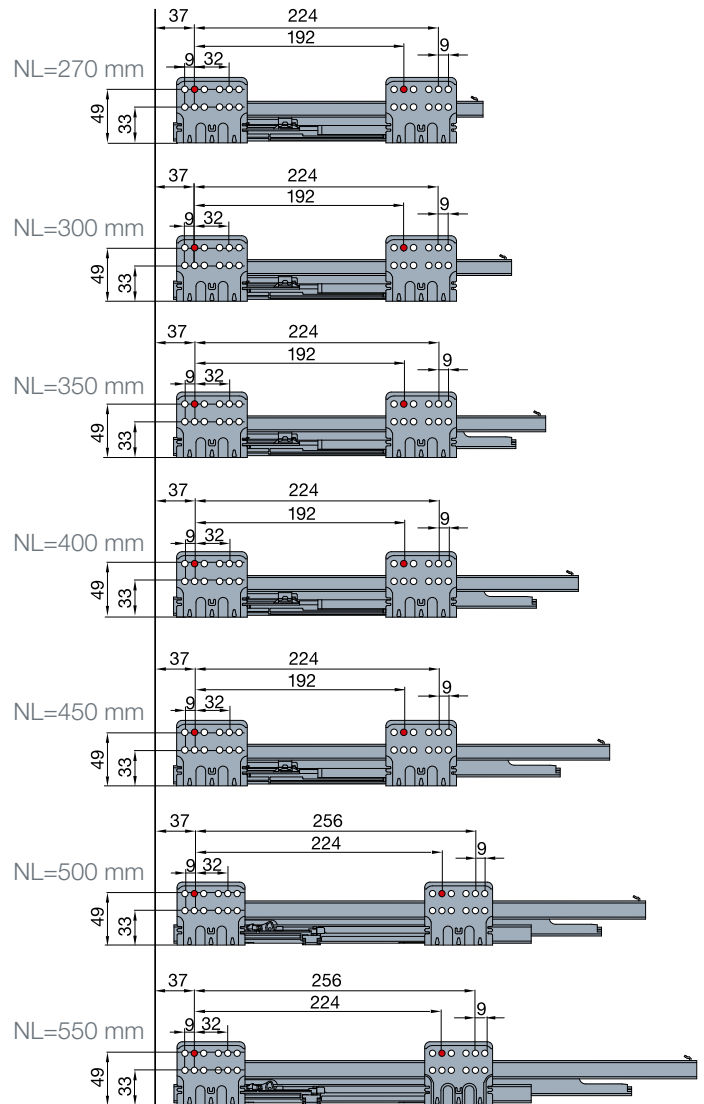
Cutting dimensions details



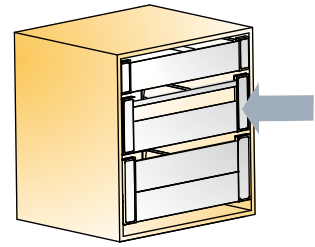
ECW: External cabinet width
ICW: Internal cabinet width
NL: Nominal length of drawer



⚠ Use the second hole for runner fixing.



Inner Drawer Front for Tekform Drawer DW145 With Square Bar



Front panel



Cutting dimension L = ICW-90

ICW → see page 25

 20 pcs

Made of aluminium

Square bar



Cutting dimension L = ICW-92

ICW → see page 25

 50 pcs

Made of plastic and aluminium

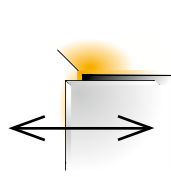
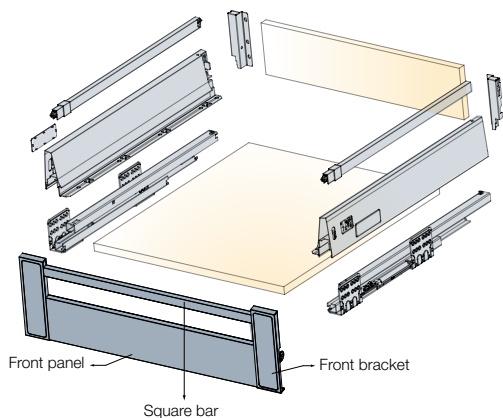
Front bracket (L+R) DW145



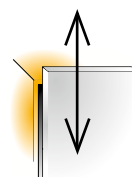
 20 sets

Made of aluminium and plastic

ECW	L	Item number	White	Grey
External cabinet width				
1200		650-8569 →	511	512
Assembly details → see page 36				
1200		650-8604 →	511	512
Assembly details → see page 36				
		650-8914 →	350	380
Assembly details → see page 36				



Side adjustment
+1/-1mm



Height adjustment
+2/-2mm



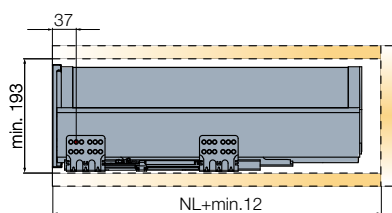
Depth adjustment
+2/-2mm

For further explanation → see page 11-12

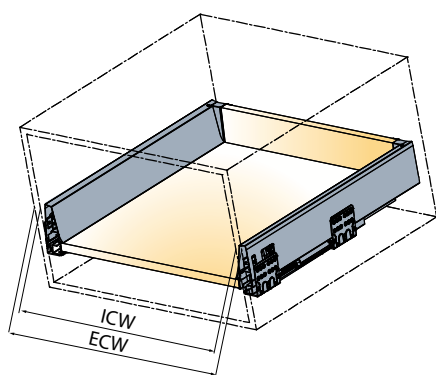
Installation dimensions

Drawer runner fixing positions

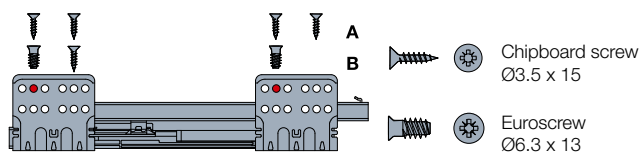
Minimum space required for the cabinet



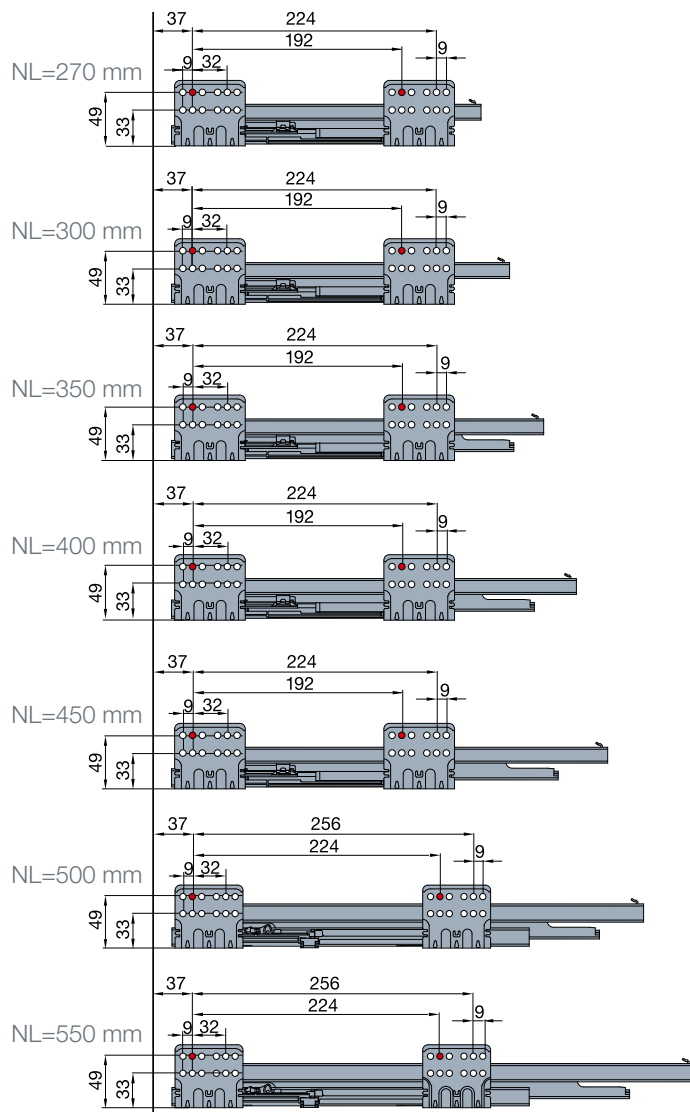
Cutting dimensions details



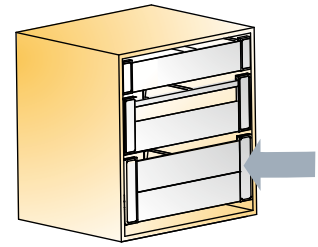
ECW: External cabinet width
ICW: Internal cabinet width
NL: Nominal length of drawer



⚠ Use the second hole for runner fixing.



Inner Drawer Front for Tekform Drawer DW182 With Square Bar



Front panel



Cutting dimension L = ICW-90

ICW → see page 27

 20 pcs

Made of aluminium

Square bar



Cutting dimension L = ICW-92

ICW → see page 27

 50 pcs

Made of aluminium

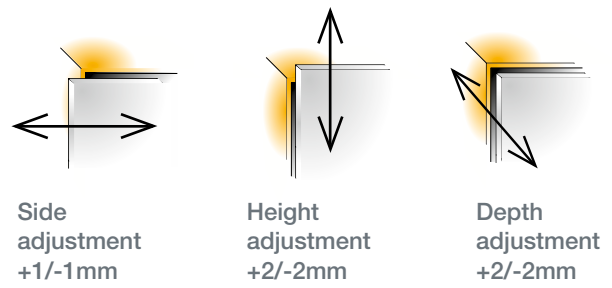
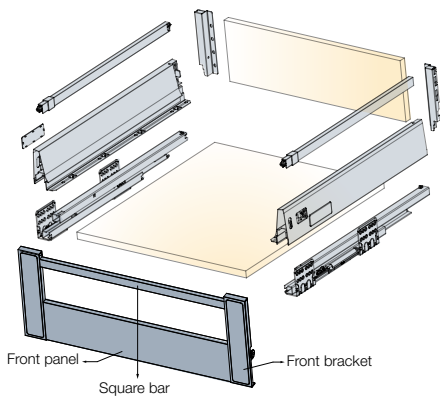
Front bracket (L+R) DW182



 50 sets

Made of plastic and aluminium

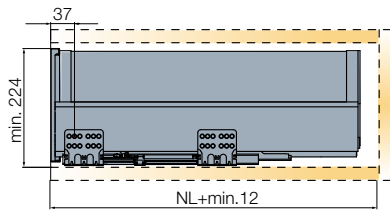
ECW	L	Item number	White	Grey
External cabinet width				
1200		650-8569 →	511	512
Assembly details → see page 36				
1200		650-8604 →	511	512
Assembly details → see page 36				
		650-8916 →	350	380
Assembly details → see page 36				



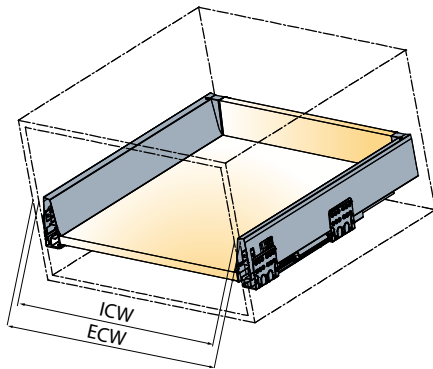
For further explanation → see page 11-12

Installation dimensions

Minimum space required for the cabinet

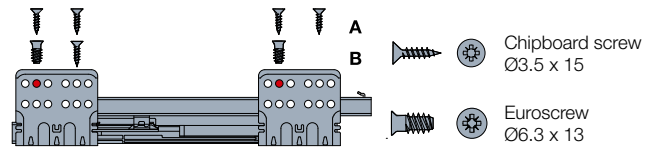


Cutting dimensions details

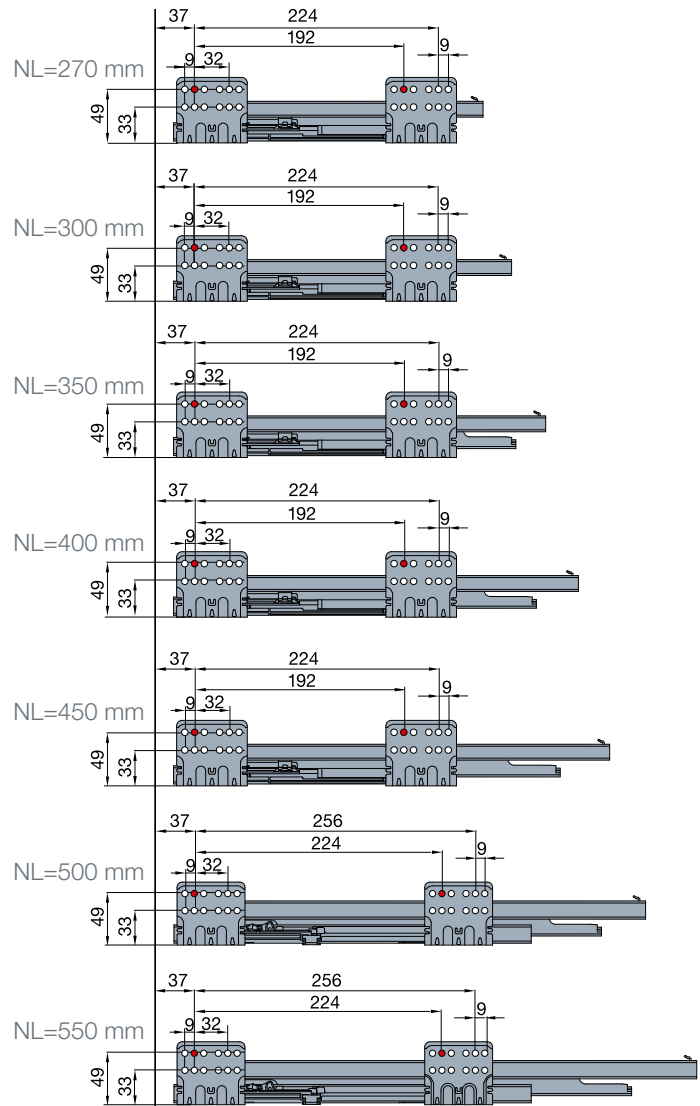


ECW: External cabinet width
ICW: Internal cabinet width
NL: Nominal length of drawer

Drawer runner fixing positions



⚠ Use the second hole for runner fixing.



Accessories

Glass Sides 8 mm

- 8mm glass sides don't require connecting bars
- Tempered glass for improved user safety



For DW145



Glass side



Glass clip

 10 sets (glass side)
50 sets (glass clip) Made of tempered glass, glass clip made of plastic

Glass side set



Glass clip set

NL	Item number	Frosted glass	White	Grey
Nominal length				
400	650-8463 →	391		
450	650-8464 →	391		
500	650-8465 →	391		
550	650-8466 →	391		
	650-8488 →		350	380

Assembly instructions → see page 35

Glass side set = 2 pcs

Glass clip set = 2 pcs L + 2 pcs R

For DW182



Glass side



Glass clip

 10 sets (glass side)
50 sets (glass clip) Made of tempered glass, glass clip made of plastic

Glass side set



Glass clip set

400	650-8470 →	391		
450	650-8471 →	391		
500	650-8472 →	391		
550	650-8473 →	391		
	650-8489 →		350	380

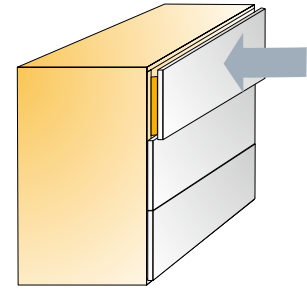
Assembly instructions → see page 35









Glass side set = 2 pcs

Glass clip set = 2 pcs L + 2 pcs R

Accessories

Bars and Connectors

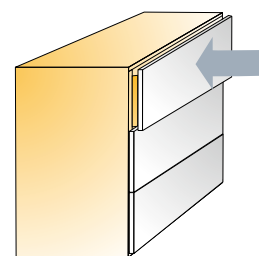


		Nominal length		White	Grey
Connecting bar   42 Pcs		270	650-8727 →	150	180
		300	650-8730 →	150	180
		350	660-8735 →	150	180
		400	650-8740 →	150	180
		450	650-8745 →	150	180
		500	650-8750 →	150	180
		550	650-8755 →	150	180
Rear connectors   56 Pcs	for DW70		650-8901 →	150	180
	for DW145		650-8902 →	150	180
	for DW182		650-8903 →	150	180
Front connectors   400 Pcs	Screw-in		650-8905 →		380
	EasyFix		650-8907 →		380
Decorative cover   2000 Pcs	Tekform by Titus		650-8904 →	350	380
	neutral		650-8906 →	350	380

A trial mounting is always recommended.
For further information please contact your
Titus Group representative.

Accessories

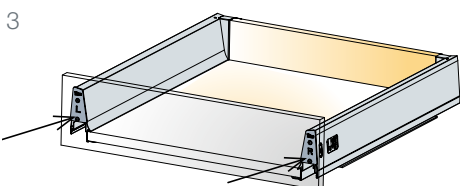
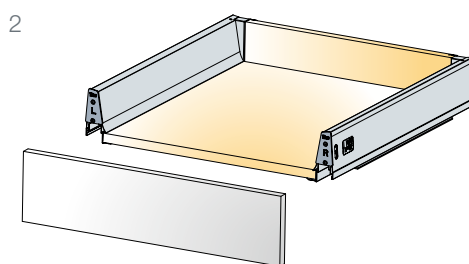
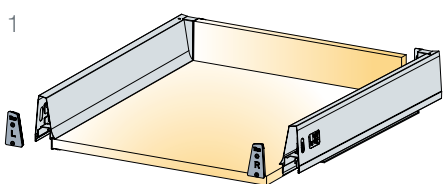
Marking Jig for Front Panel



Marking jig



Application details



Item number

650-8025 →

Black


390



1 set

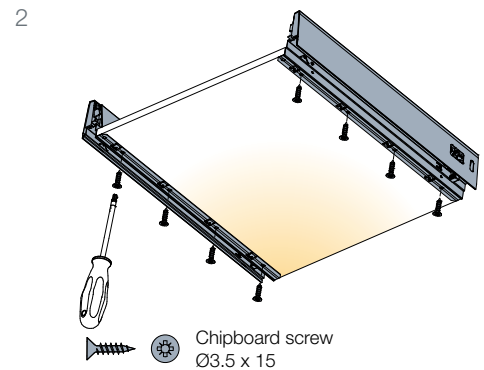
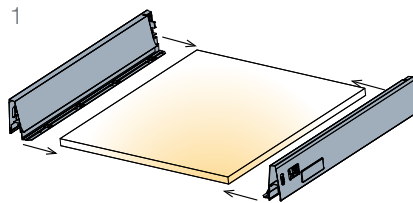
Made of plastic

Assembly Instructions

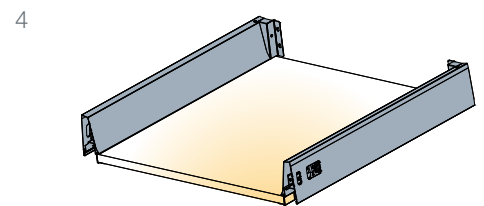
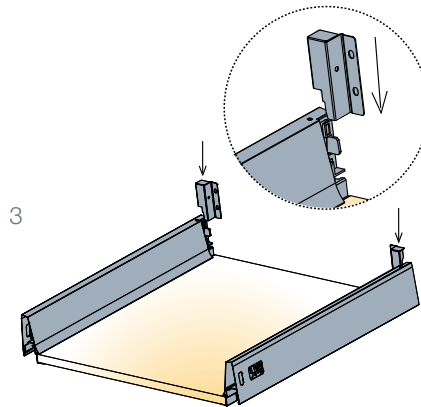
 Screws are not included

Assembly Sequence

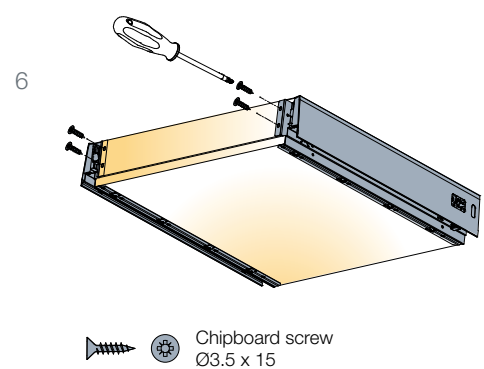
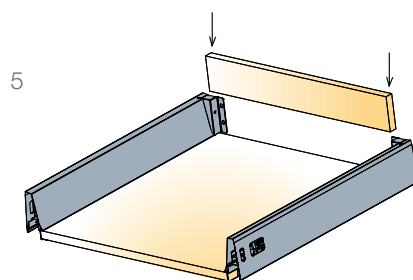
Connect the drawer sides to the bottom panel (1) and fix it with screws (2)



Insert the rear connector vertically (3) and push it downwards into recess in the drawer side (4)



Insert the back panel (5) and fix it with screws (6)



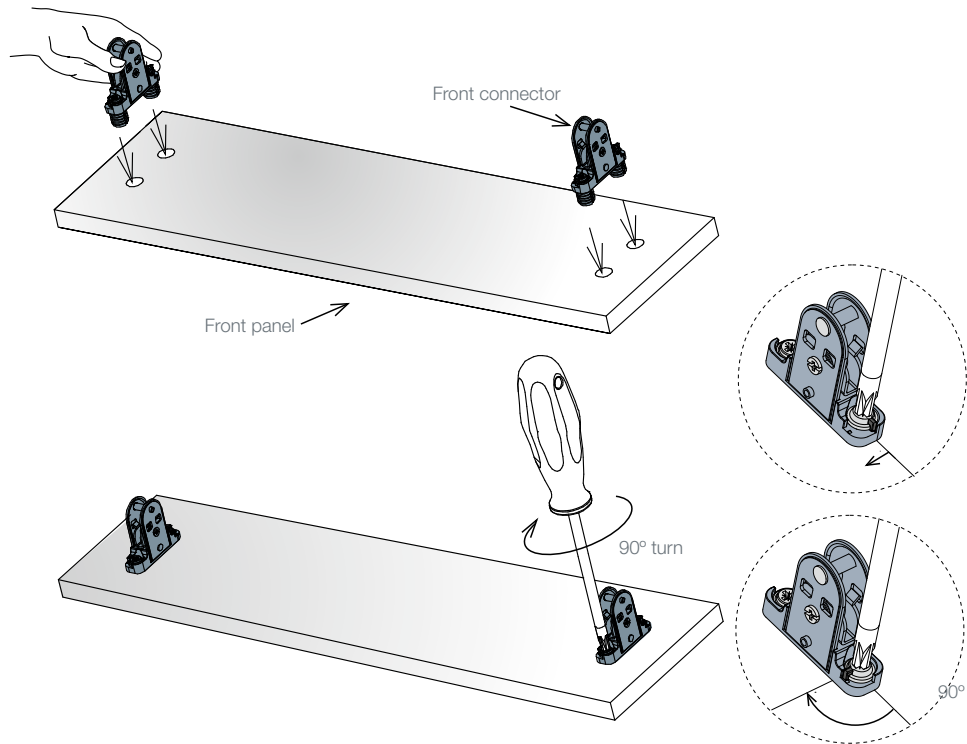


Screws are not included

Insertion of Front Connectors

EasyFix

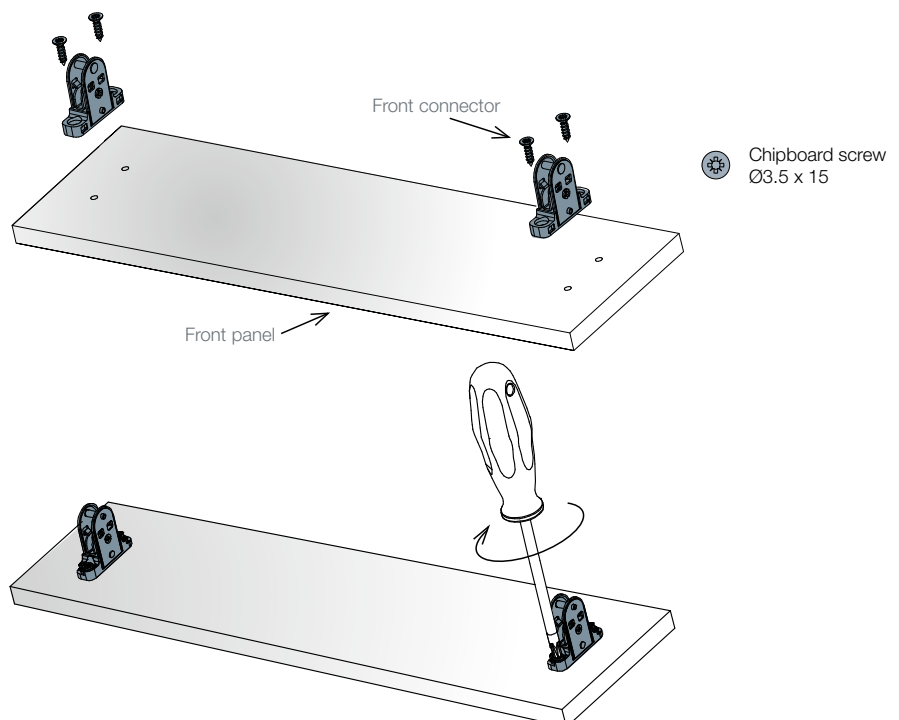
Insert the front connectors into holes on the front panel



Turn the screws for 90° into locked position

Screw-in fixing

Use Ø3 x 15mm screws for fixing

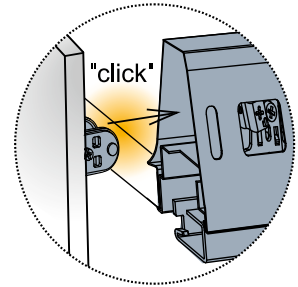
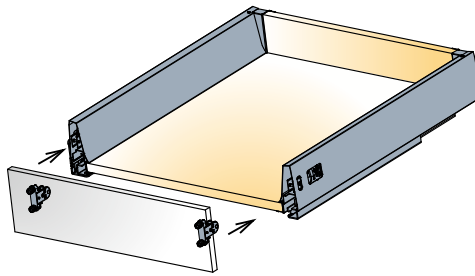


Assembly Instructions

Front Panel Mounting / Removal

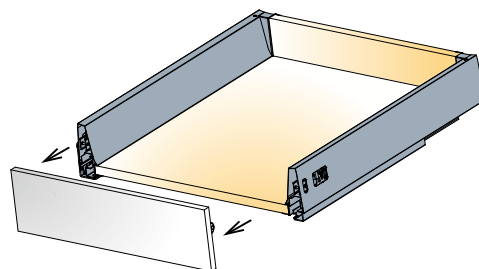
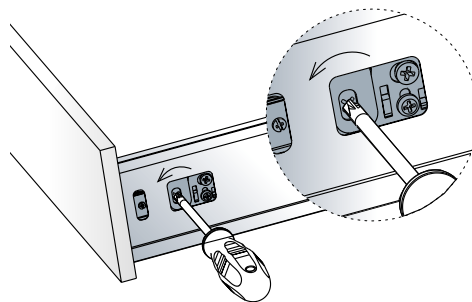
Mounting

Attach the front panel to the drawer and press to click



Removal

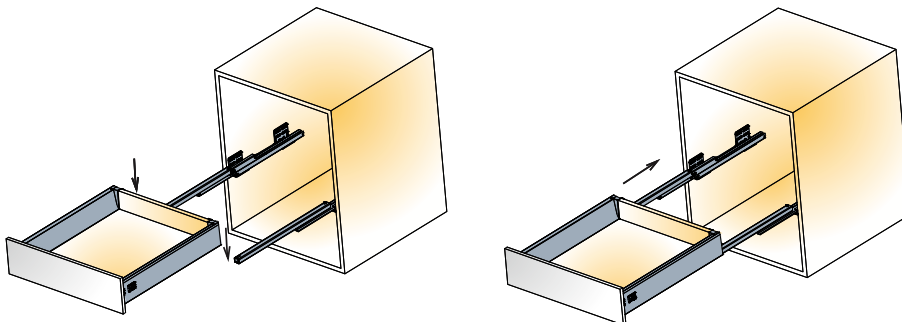
Rotate to disengage



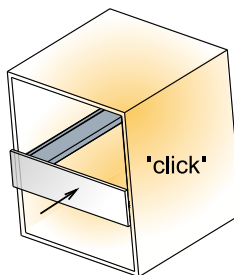
Drawer Insertion / Removal

Insertion

Put the drawer horizontally on the runners and push towards the cabinet until you hear the drawer is locked

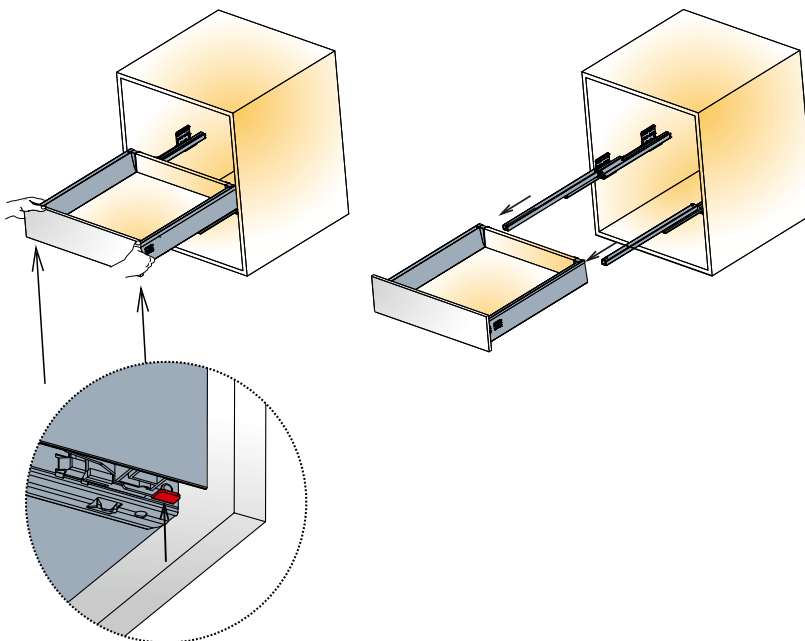


Push to fully close



Removal

Press the button under a drawer keep pressed to pull the drawer out

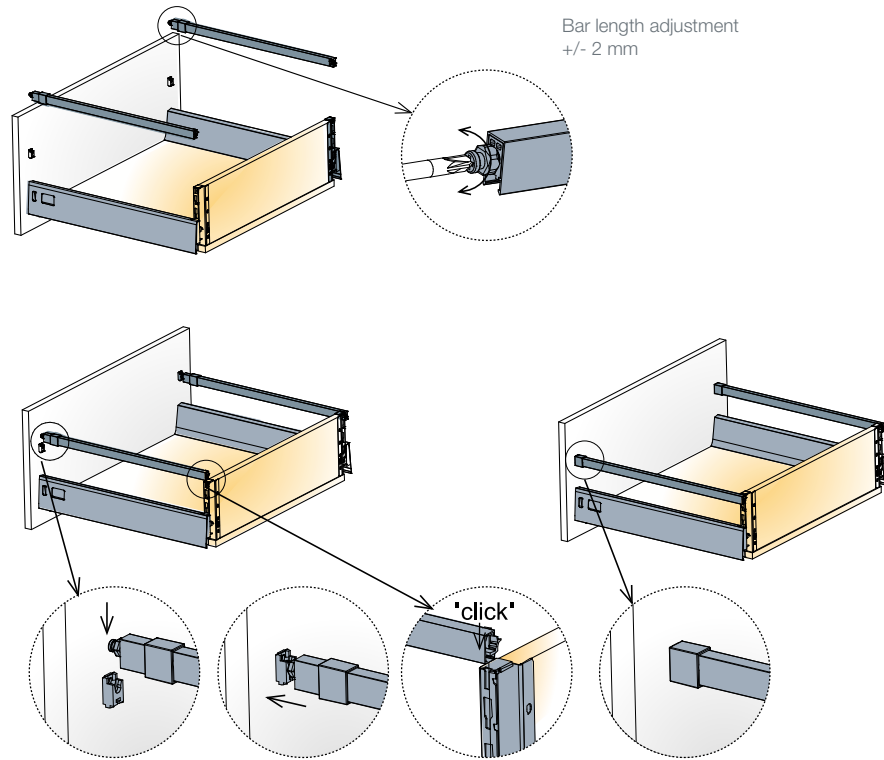


Press the button up

Accessories Mounting

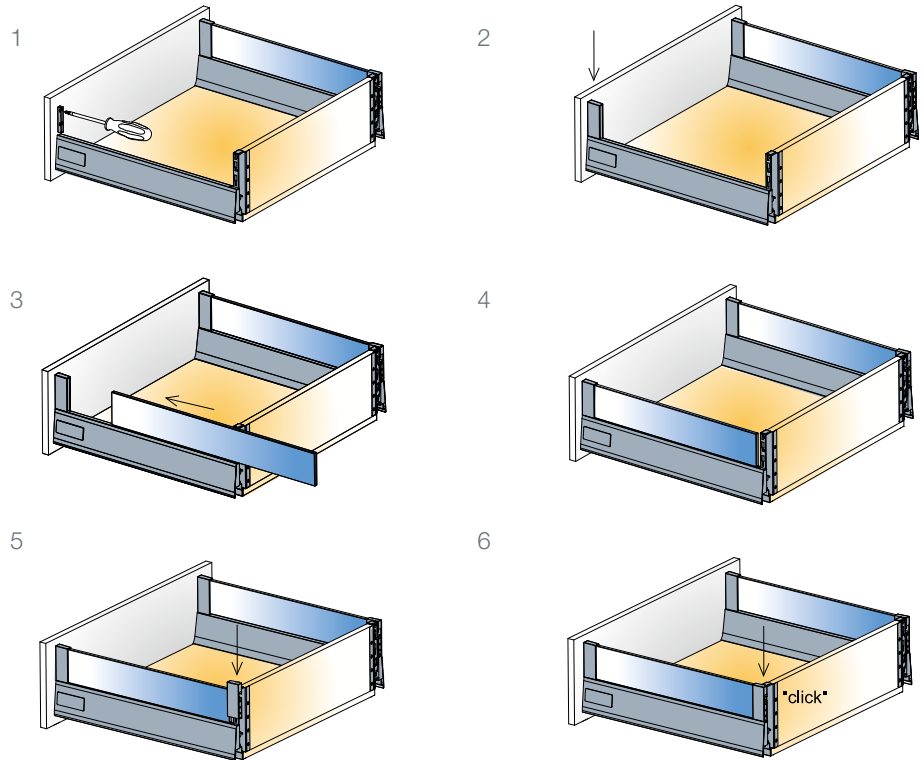
Mounting of Connecting Bars

Connecting bars
(for DW145 and DW182)



Mounting of Glass Sides 8mm

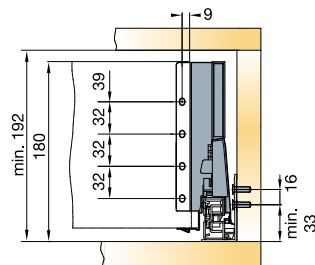
Glass sides 8mm



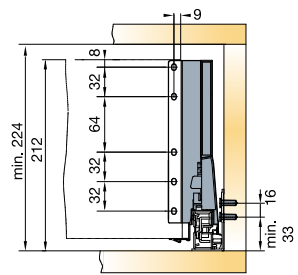
Drilling dimension for Glass sides 8mm

Back panel mounting dimensions

Tekform Drawer DW145

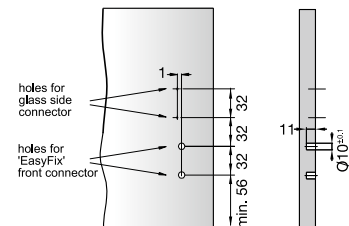
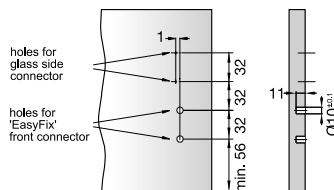


Tekform Drawer DW182

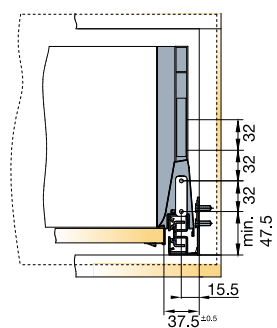
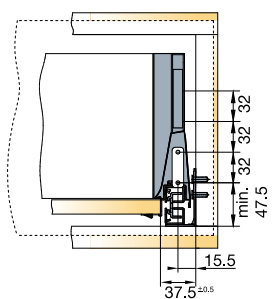


Front panel drilling dimensions

'EasyFix' front connector



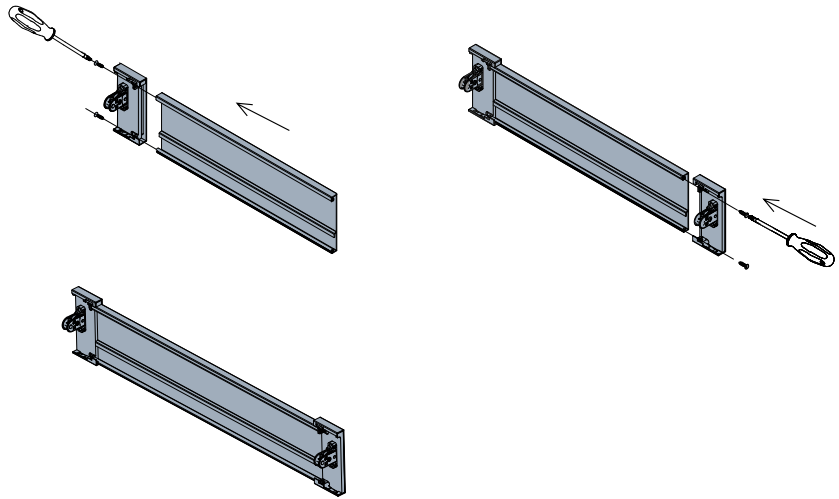
Installation dimensions for front panel



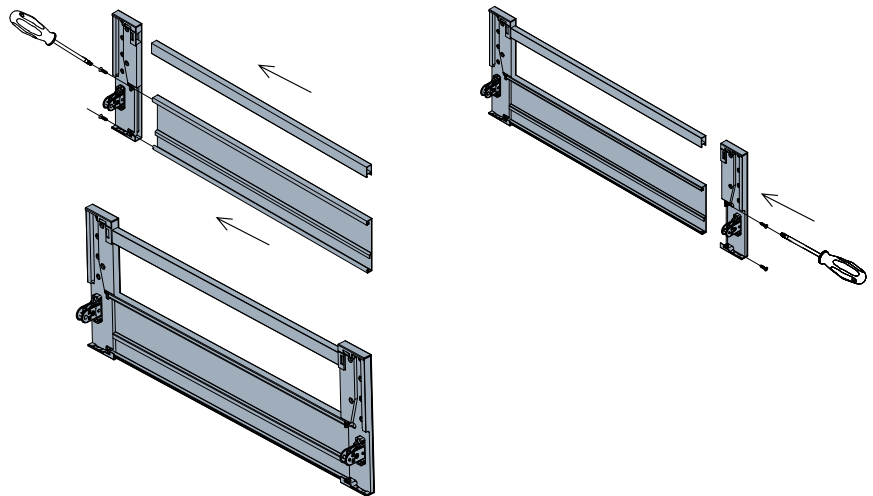
Accessories Mounting

Assembly of Inner Drawer Front

DW70



DW145 and DW182
with bar



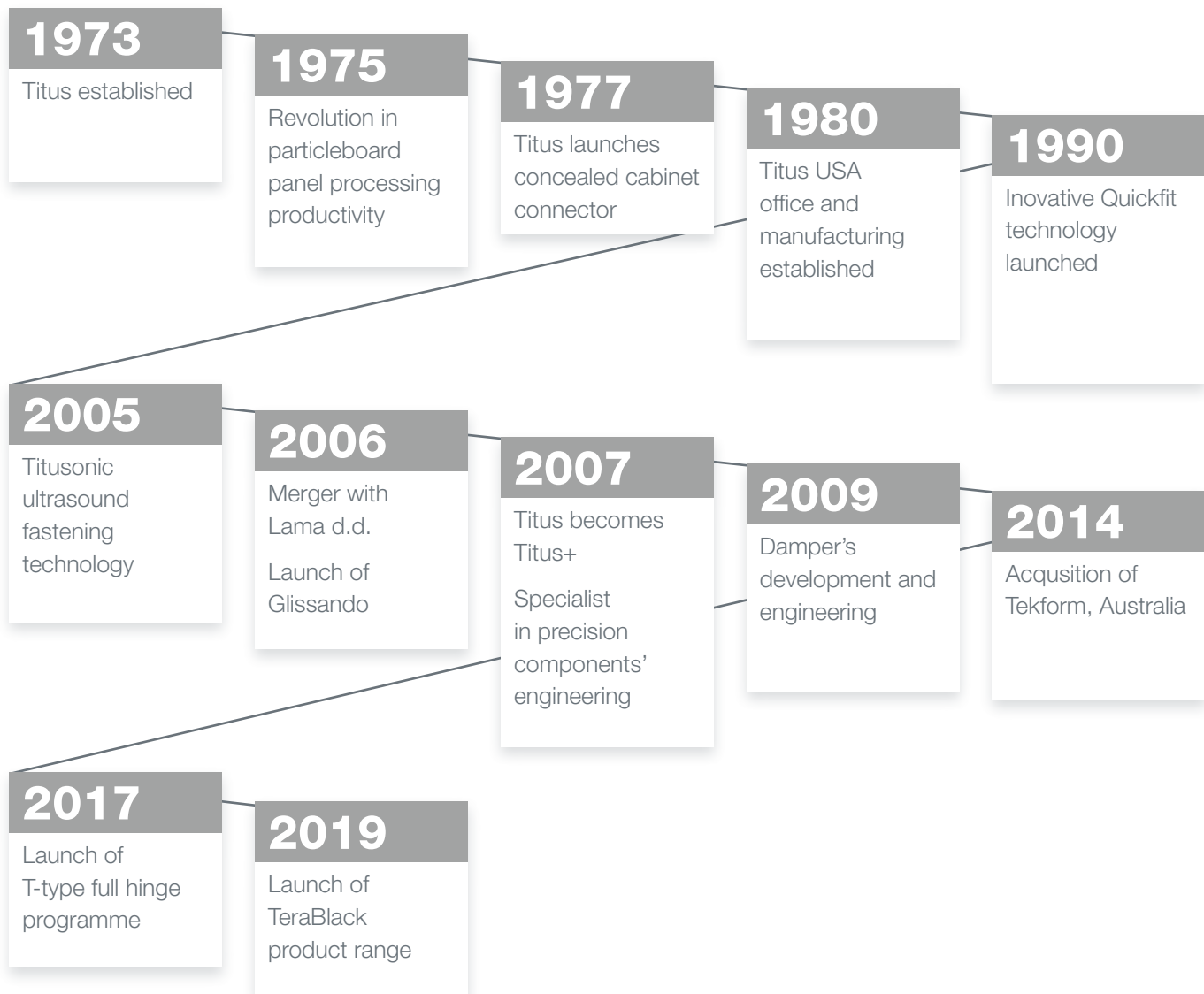
The Titus Group Profile

Titus Group

Titus focuses on the design, manufacture and distribution of connectors, concealed hinges drawers and soft closing mechanisms in furniture and household appliances.

Titus Group is owned and managed from its headquarters in United Kingdom. We are able to provide products and services to every customer around the world based on manufacturing facilities in Europe, North America, China, SE Asia, Australia and New Zealand.

Quickfit technology makes Titus the World leader in connectors for RTA furniture



Vision

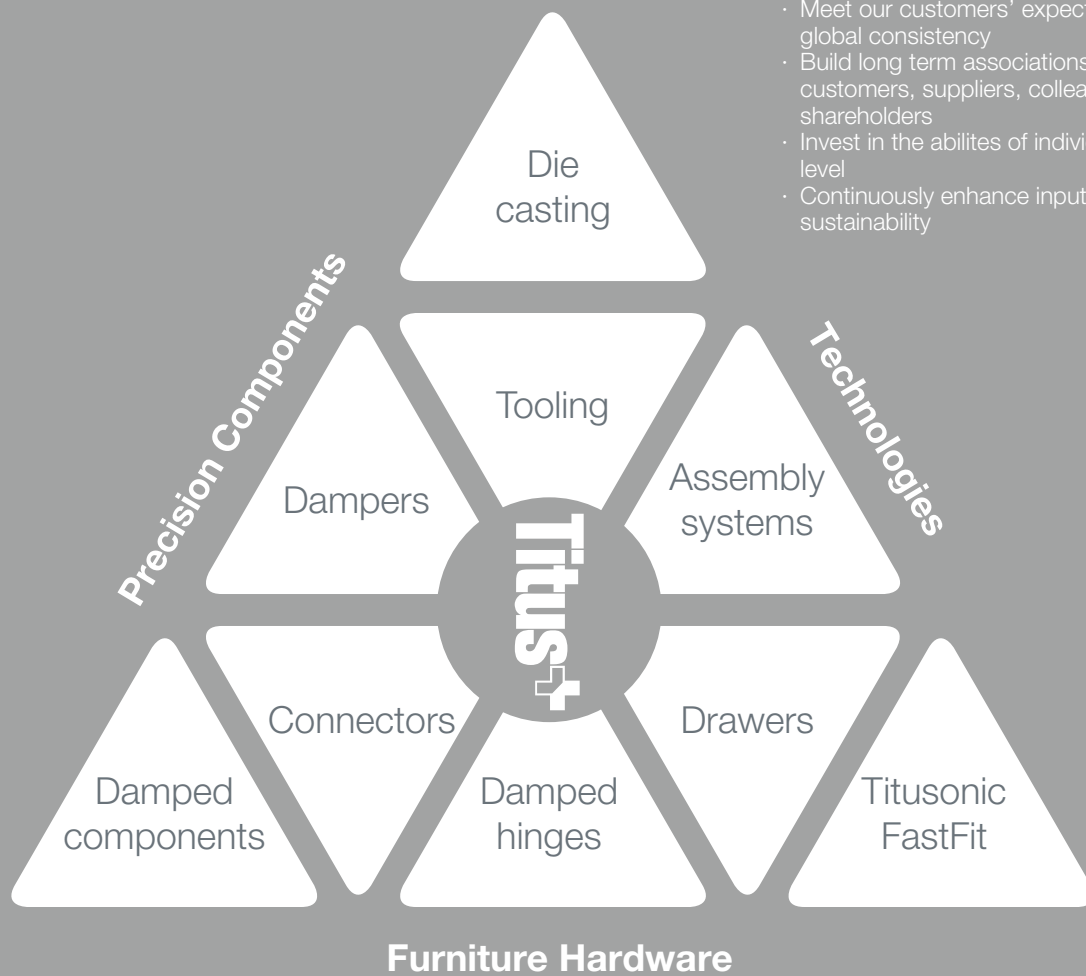
The world's best engineering for precision components

Mission

To provide manufacturers with components' solutions that improve competitiveness

Titus Business Philosophies and Principles

- Gain total knowledge of our customers and their markets
- Focus on identifying and creating high volume component niches
- Meet our customers' expectations with global consistency
- Build long term associations with customers, suppliers, colleagues and shareholders
- Invest in the abilities of individuals at every level
- Continuously enhance input efficiency and sustainability



Furniture Hardware

- Cabinet connectors
- Concealed hinges
- Soft closing systems
- Drawers and drawer systems
- Kitchen accessories
- Furniture locks
- Decorative

Components

- Dampers
- Precision components

Technologies

- Automation systems
- Precision castings
- Die cast technologies
- Tooling
- Ultrasound fastening technology
- FastFit technology

'Totally Integrated Engineering'

Product Design

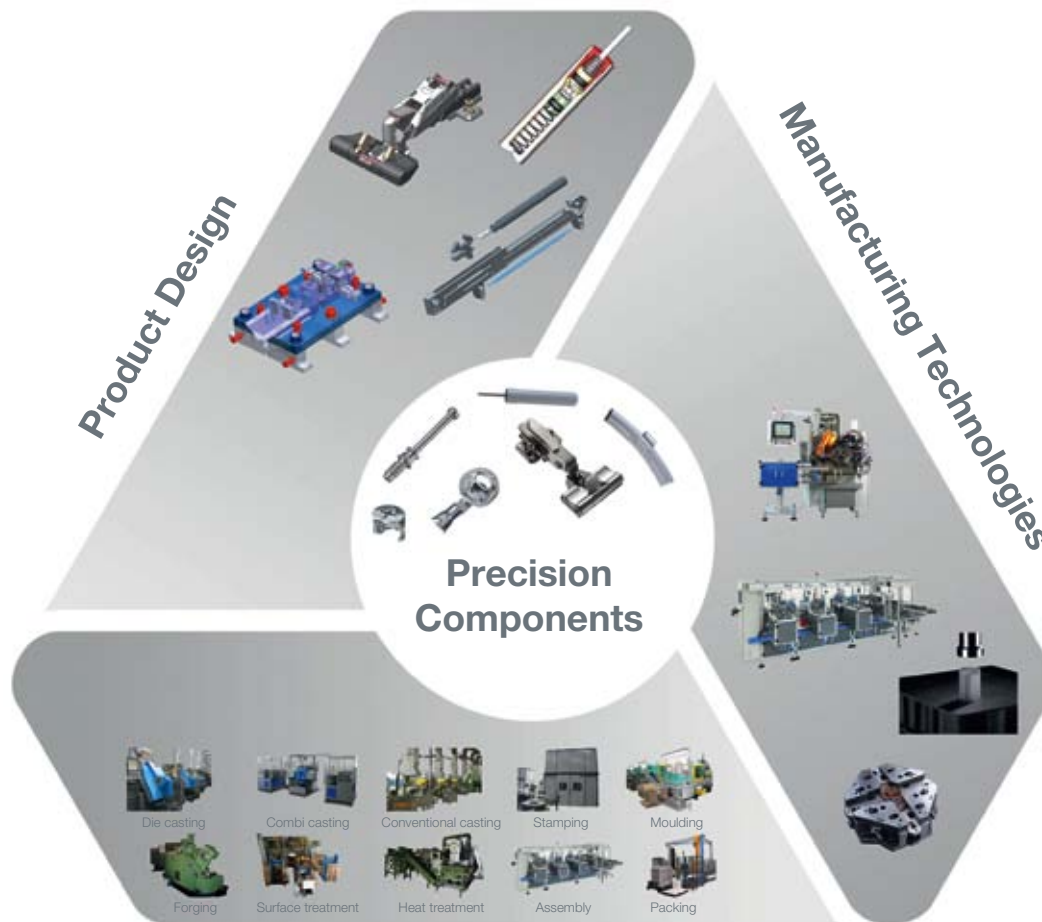
Design and engineering of unique components
Consistent and repeatable product quality

Manufacturing Technologies

to improve productivity and product quality

Manufacturing Operations

A wide array of technologies and services required for high volume production of precision components available in-house



Manufacturing Operations

Fittings for purpose

Unique product advantages for better value for money and lower 'total installed cost'

Innovations that improve

with less parts, less different parts, less preparation actions, faster assembly

Fast time-to-market

Quality

Continuous Improvement

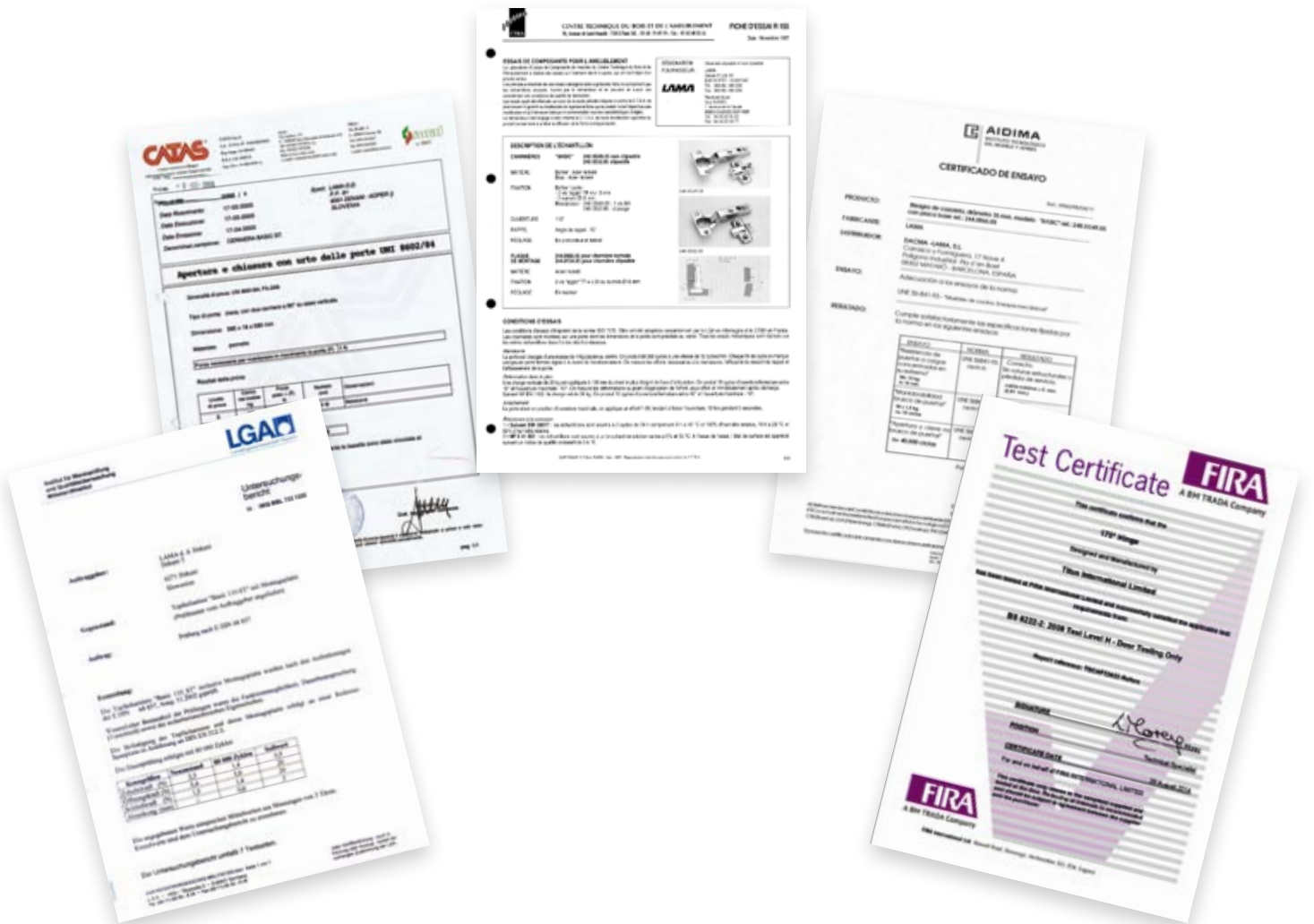
The Titus Group Mission, to improve the competitiveness of our customers, encourages us to continuously improve our products, services, processes and competencies of our employees.

Quality

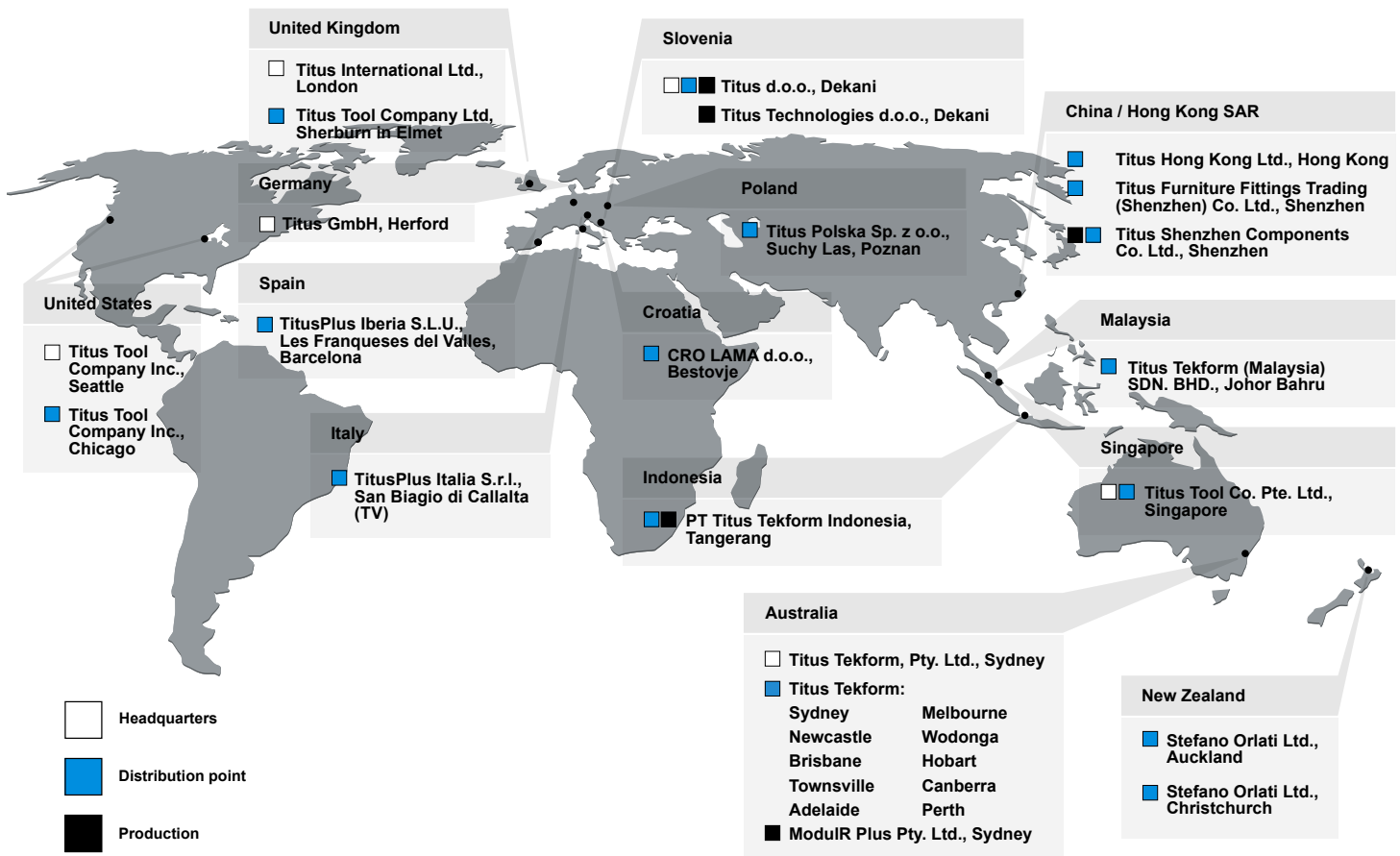
We believe that the Titus Mission is achieved most effectively through the management of our design, manufacturing and service activities in conformance with the ISO 9001 standard for quality management. Quality has a broad meaning for us: it is our guide to the selection of materials, work, processes, internal relations and cooperation with partners.

Products

Our integrated quality system produces technically optimized products of high quality. They are assessed regularly in our own test labs as well as by internationally renowned institutions, such as LGA from Germany, CTBA from France, FIRA from United Kingdom, CATAS from Italy, AIDIMA from Spain, and others.



Worldwide design, manufacturing and distribution capabilities



Europe

Titus d.o.o. Dekani
 Dekani 5
 SI-6271 Dekani
 Slovenia
 +386 566 90 213
 +386 566 90 205 Fax
 info@titusplus.com

Titus Technologies d.o.o.
 Dekani 5
 SI-6271 Dekani
 Slovenia
 +386 566 90 146
 technologies@titusplus.com

Titus Tool Company Ltd.
 10 Blackburn Industrial Estate
 Enterprise Way
 Sherburn in Elmet
 LS256NA
 United Kingdom
 +44 1977682 582
 +44 1977680 481 Fax
 uk@titusplus.com

CRO LAMA d.o.o.
 Rakitska 10a
 Rakitje
 HR-10437 Bestovje
 Croatia
 +385 1 3323 033
 +385 1 3323 233 Fax
 croatia@titusplus.com

Titus Polska Sp. z o.o.
 ul. Stefańskiego 17 A
 PL-62-002 Suchy Las/Poznan
 Poland
 +4861 811 5402 Phone/Fax
 +4861 811 5684 Phone/Fax
 +4861 821 9362
 poland@titusplus.com

TitusPlus Italia S.r.l.
 Via Aquileia 9
 Frazione Olmi
 31048 San Biagio di Callalta (TV)
 +39 04 221 650 120
 +39 04 221 650 136 Fax
 italia@titusplus.com

TitusPlus Iberia S.L.U.
 C/ Gran Bretanya 34
 08520 Les Franqueses del Valles
 (Barcelona)
 +34 938 715 404
 +34 938 605 498 Fax
 iberia@titusplus.com

Titus GmbH, Herford
 Lübberlindenweg 12
 D-32049 Herford
 Germany
 + 49 5221 102488-0
 germany@titusplus.com

America

Titus Tool Co. Inc.
 2800 156th Avenue SE
 Suite 135
 Bellevue, WA 98007, USA
 800 762 1616 toll free
 +1 425 746 2080
 +1 425 746 2344 Fax

Titus Tool Co. Inc.
 11056 W. Addison Street
 Franklin Park, IL 60131, USA
 +1 253 872 2829
 +1 253 872 2827 Fax
 usa@titusplus.com

Australia and New Zealand

Titus Tekform Pty Ltd
 Unit 1, 41-43 Whyalla Place
 Prestons NSW 2170
 Australia
 +61 2 9286 0007
 +61 2 9826 0074 Fax
 www.titustekform.com.au
 info@titustekform.com.au

Stefano Orlati Ltd
 34 Waipareira Avenue
 Henderson
 Auckland, New Zealand
 +64 9 837 0886
 +64 9 837 8003Fax
 www.titustekform.com.au
 info@titustekform.com.au

Asia

Titus Tool Co. Pte. Ltd.
 5004 Ang Mo Kio Ave 5
 Techplace II #04-01
 Singapore 569872
 +656383 3922
 +656383 3178 Fax
 singapore@titusplus.com

Titus Shenzhen Components Co. Ltd
 1st Floor, Building No. 2
 Heng Changrong High-tech Industrial Park
 Shangnan South Road
 Shangjin Street
 Baoan District Shenzhen Province
 China
 +86 755 8348 0916
 +86 8359 2676 Fax
 china@titusplus.com

Titus Tekform Indonesia, PT
 Taman Tekno Blok L2 / 7
 BSD Sektor XI - Tangerang 15314
 Indonesia
 T. +62 21 75873578
 F. +62 21 75873574
 indonesia@titusplus.com

Headquarters

Titus International Ltd
 325 Euston Road
 London
 NW1 3AD, United Kingdom
 info@titusplus.com

www.titusplus.com
 info@titusplus.com

Index

Item number	Page
650-8025	28
650-8027	14
650-8030	14
650-8035	14
650-8040	14
650-8045	14
650-8050	14
650-8055	14
650-8127	16
650-8130	16
650-8135	16
650-8140	16
650-8145	16
650-8150	16
650-8155	16
650-8227	18
650-8230	18
650-8235	18
650-8240	18
650-8245	18
650-8250	18
650-8255	18
650-8327	14
650-8330	14
650-8335	14
650-8340	14
650-8345	14
650-8350	14
650-8355	14
650-8463	26
650-8464	26
650-8465	26
650-8466	26
650-8470	26
650-8471	26
650-8472	26
650-8473	26
650-8488	26
650-8489	26
650-8604	22, 24
650-8727	27
650-8730	27
650-8735	27
650-8740	27
650-8745	27
650-8750	27
650-8755	27
650-8827	16
650-8830	16
650-8835	16
650-8840	16
650-8845	16
650-8850	16

Item number	Page
650-8855	16
650-8901	27
650-8902	27
650-8903	27
650-8904	27
650-8905	27
650-8906	27
650-8907	27
650-8912	20
650-8914	22
650-8916	24
650-8927	18
650-8930	18
650-8935	18
650-8940	18
650-8945	18
650-8950	18
650-8955	18

Your authorized dealer