

System 6 Quickfit-Expando Connectors

System Features

A face boring connector family for 32mm system drilling with full range of panel and application variants for all cabinet manufacturing applications

- Minimum drilling requirements
- Linear cam design for constant tightening loads when driving
- Angledriv feature on cam for maximum driving comfort
- Interchangeable pins for wood, plastic and steel applications
- Pins with twinstart drive for fast insertion
- Interchangeable Quickfit pin fastenings available
- Toolless fastening capable versions
- Back-to-back fastenings for common vertical panel fixing of shelves

System 6 consists of a range of 20mm and 25mm diameter housings, Quickfit™ and conventional dowels, end dowels and double ended dowels.

Housings are made from high grade plastic or zinc, with zinc cams.

Wedgex-6 connector is a special fastener without cam, simply to snap onto a pre-inserted dowel.

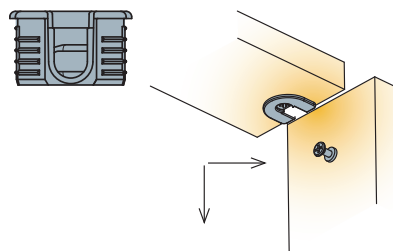
Applications

Titus System 6 is ideal for use in high volume production of case goods, closet and garage storage systems. Because no

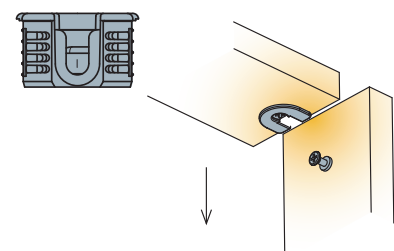
edge boring is required, it is an excellent choice for manufacturing environments with limited drilling capacity.

Side-entry Drop-on

Side-entry insertion of shelf panel: from the side or from the top

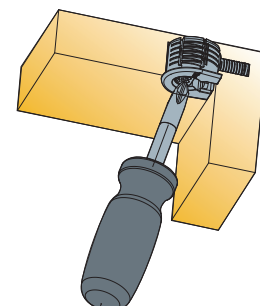


Drop-on insertion of shelf panel: only from the top
Using drop-on connections allows for one-man installation



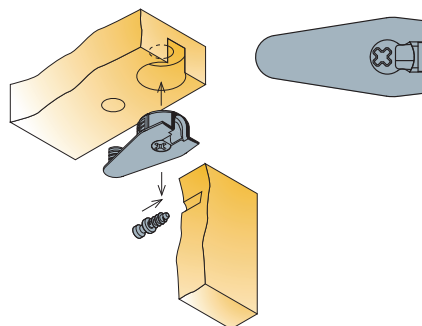
Angledriv feature

The angledriv feature on the cam allows for the angled position of the screwdriver with the locking action creating a tight and secure joint.

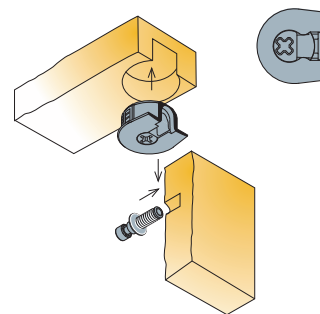


Outrigger/ Non outrigger

Outrigger

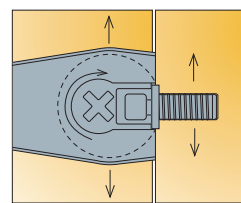
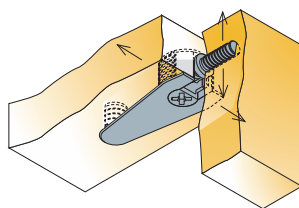


Non outrigger



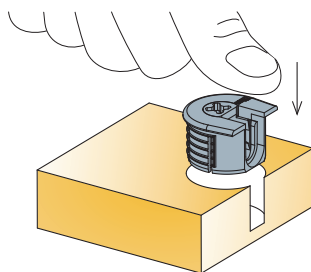
Expando function

Expanding housings and dowels provide a tight joint.

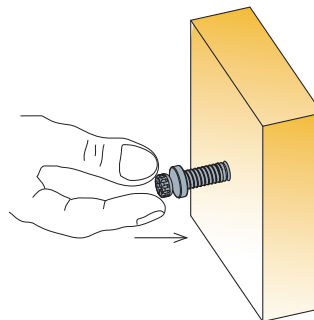


Assembly

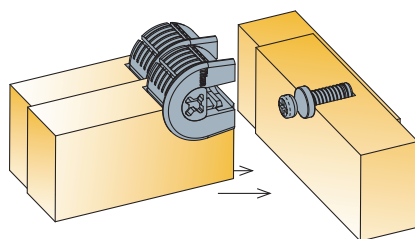
1. Press the housing into face board



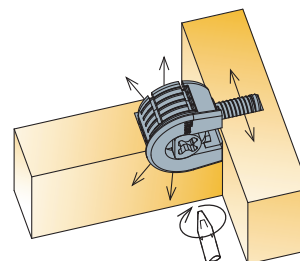
2. Press the dowel into side panel



3. Assemble the panels



4. Tighten the joint

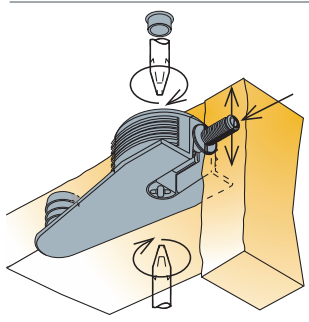


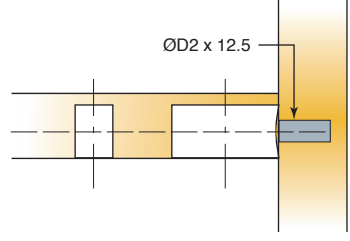


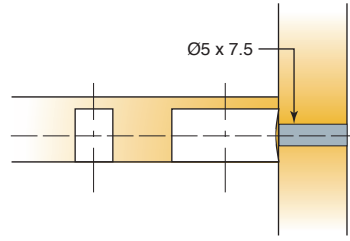



System 6

Quickfit-Expando

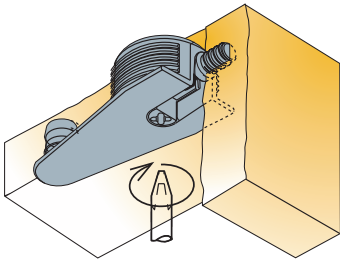
Expanding Dowels

- Available in Ø5mm, Ø8mm and Ø10mm for panel-to-panel, panel-to-hollow profile and back-to-back applications
- Suitable for applications with all Titus Ø20 and/or Ø25mm Expando-6 housings
- 'Klix' locking feature provides a strong, vibration proof connection
- Depth stop collar for accurate insertion

 Technical and mounting details		D2	Item number	Dark grey	Black
		Drilling diameter for dowel thread			
Dowel	 D2= Ø5mm	5	06408 →	880	
		8	06410 →	880	
 D2= Ø8mm	 ØD2 x 12.5				
 5000 Pcs		Made of zinc, plastic			
Dowel Ø5 x 7.5 back-to-back applications			06479 →	880	
 D2= Ø5mm	 Ø5 x 7.5				
 5000 Pcs		Made of zinc, plastic			

System 6 Quickfit-Expando Dowels

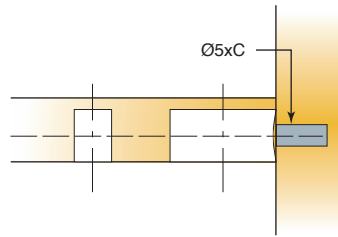
- Available in various Ø3mm and/or Ø5mm thread forms for screw-in, knock-in and/or 'spiked' hole applications
- Suitable for applications with all Titus Ø20mm and/or Ø25mm Expando-6 housings
- 'Klix' locking feature provides a strong, vibration proof connection
- Dowels feature an integral skirt which acts as a positive stop during insertion



Technical and mounting details

C	Drilling depth for dowel thread	Item number	Finish	
			Zinc	Zinc plated
	9	06401 →	885	
	8	06402 →	885	883
	11.5	06406 →	885	883
		06403 →	885	
		06405 →		883
		06495 →		883

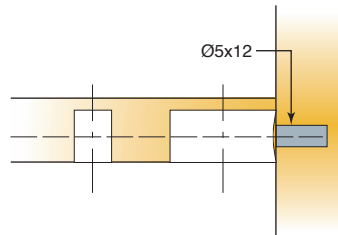
Dowel Ø5



2000 Pcs

Made of zinc or steel

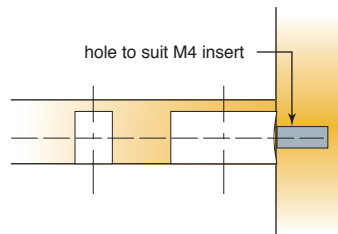
Dowel Ø5 x 11 knock-in



2000 Pcs

Made of zinc

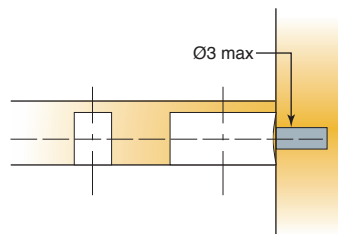
Dowel M4 x 7



4500 Pcs

Made of steel

Dowel Ø3 x 11.5



12500 Pcs

Made of steel

Inserts
Made of plastic

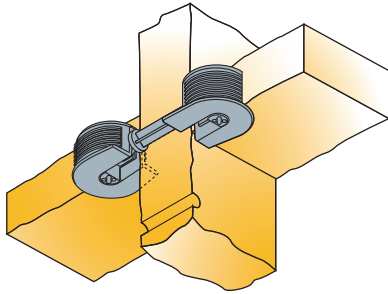
→ see page 1.62

System 6

Quickfit-Expando

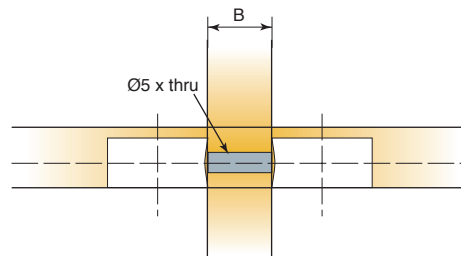
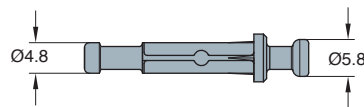
Double-ended Dowels

- For 16mm, 18mm and 19mm board
- Suitable for applications with all Titus Ø20mm and/or Ø25mm Expando-6 housings
- 'Klix' locking feature provides a strong, vibration proof connection



Technical and mounting details

Double-ended dowel



B	Item number	Zinc
Panel thickness		
16	06414 →	885
18	06413 →	885
19	06416 →	885

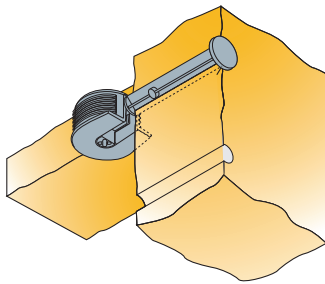


2500 Pcs

Made of zinc

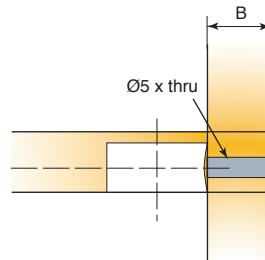
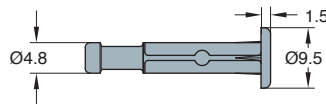
System 6 Quickfit-Expando End Dowels

- For 16mm, 18mm and 19mm board
- Suitable for applications with all Titus Ø20mm and/or Ø25mm Expando-6 housings
- 'Klix' locking feature provides a strong, vibration proof connection



Technical and mounting details

End dowel



B	Item number	Zinc
Panel thickness		
16	06412 →	885
18	06411 →	885
19	06415 →	885

2500 Pcs
1000 PCS (06411)

Made of zinc


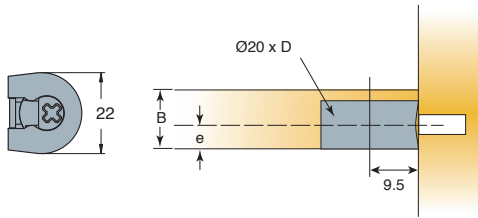

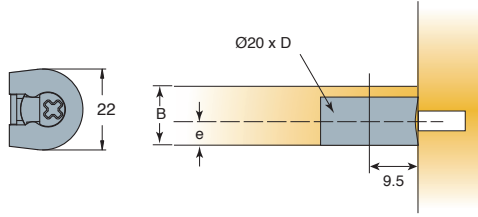

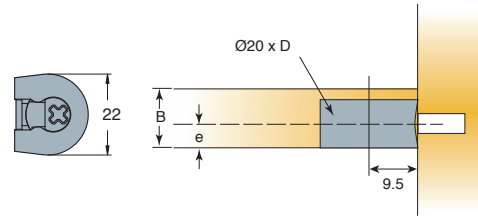

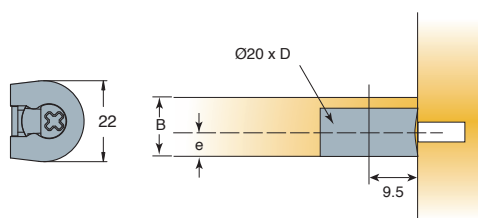
System 6

Quickfit-Expando

20mm Expanding Housing

Non-outrigger

- Available in 15mm/16mm and 18mm/19mm versions for drop-on and/or side-entry applications
- Available in all-metal or plastic/metal options
- 'Klix' locking feature provides a strong vibration proof connection
- Compatible with all screw-in and Quickfit-6 dowels

Technical and mounting details		e	B	D	Item number	Dark brown plastic	Nickel plated	Silver plastic	White plastic
			Panel thickness	Drilling depth					
Side-entry  500 Pcs Made of zinc		7.75	15/16	12.5	06451 →		847		
		9.25	18/19	14	06453 →		847		
Side-entry  2500 Pcs Made of plastic		7.75	15/16	12.5	06435 →	831		861	877
		9.25	18/19	14	06437 →	831		861	877
<i>Other colours on request</i>									
Drop-on  500 Pcs Made of zinc		7.75	15/16	12.5	06447 →		847		
		9.25	18/19	14	06449 →		847		
Drop-on  2500 Pcs Made of plastic		7.75	15/16	12.5	06431 →	831		861	877
		9.25	18/19	14	06433 →	831		861	877
<i>Other colours on request</i>									

System 6

Quickfit-Expando

20mm Expanding Housing

Outrigger

- Available in 15mm/16mm and 18mm/19mm versions for drop-on and/or side-entry applications
- Available in all-metal or plastic/metal options
- 'Klix' locking feature provides a strong vibration proof connection
- Compatible with all screw-in and Quickfit-6 dowels

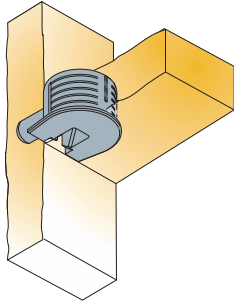
Technical and mounting details		e	B	D	Item number	Dark brown plastic	Black plastic	Nickel plated	White plastic
<p>Technical and mounting details</p>									
Side-entry	<p>500 Pcs Made of zinc</p>	7.75	15/16	12.5	06459 →			847	
		9.25	18/19	14	06461 →			847	
Side-entry	<p>1250 Pcs Made of plastic</p>	7.75	15/16	12.5	06443 →				877
		9.25	18/19	14	06445 →	831	835		877
		9.25	18/19	14	*06395 →		835		877
		<i>Other colours on request *American market only</i>							
Drop-on	<p>500 Pcs Made of zinc</p>	7.75	15/16	12.5	06455 →			847	
		9.25	18/19	14	06457 →			847	
Drop-on	<p>1250 Pcs Made of plastic</p>	7.75	15/16	12.5	06439 →		835		877
		9.25	18/19	14	06441 →	831	835		877
		9.25	18/19	14	*06397 →		835		877
		<i>Other colours on request *American market only</i>							

System 6

Quickfit-Expando

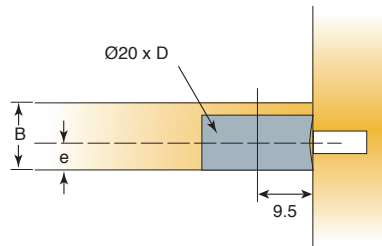
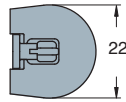
Expanding Wedgefix Housing (no Inner Cam)

- Available in 12mm, 15mm/16mm and/or 18mm/19mm versions for Quickfit-6 and/or Standard Dowel applications
- Available in a variety of plastic colours
- Wedgefix-6 housing allows easy customer hand-assembly or factory automated insertion
- When used with Quickfit-6 dowels this provides a true toolless fastening system



Technical and mounting details

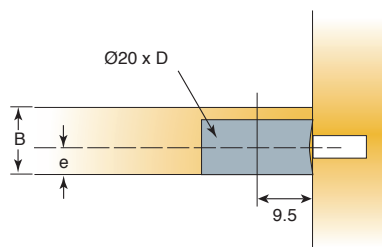
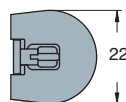
For use with screw-in dowels



2500 Pcs

Made of plastic

For use with Quickfit dowels



2500 Pcs

Made of plastic

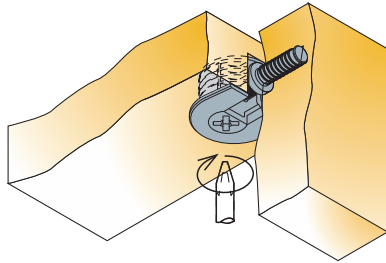
e	B	D	Item number	White	Black	Dark brown	Silver
6	12	10	06470 →	877			861
7.75	15/16	12.5	06473 →	877	835	831	861
9.25	18/19	14	06465 →	877	835	831	861
11	22	16	06464 →				861
<i>Other colours on request</i>							
7.75	15/16	12.5	06471 →	877	835	831	861
9.25	18/19	14	06472 →	877	835	831	861
<i>Other colours on request</i>							

System 6

20mm Knock-in Housing

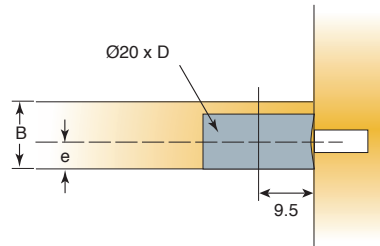
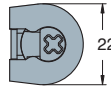
Non-outrigger

- Available in 15mm/16mm and 18mm/19mm versions for drop-on and/or side-entry applications
- Available in all-metal or plastic/metal options
- 'Klix' locking feature provides a strong vibration proof connection
- Compatible with all screw-in and Quickfit-6 dowels



Technical and mounting details

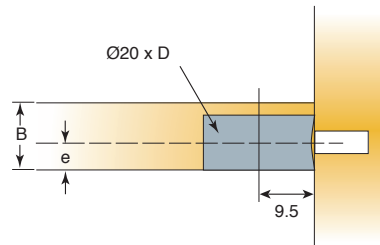
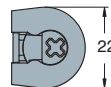
Side-entry



2500 Pcs

Made of plastic

Drop-on



2500 Pcs

Made of plastic



Cover cap 06463
Made of plastic

e	B	D	Item number	Silver plastic	White plastic
7.75	15/16	12.5	06381 →	861	877
9.25	18/19	14	06385 →	861	877
<i>Product available on American and Asian market only</i>					
<i>Other colours on request</i>					

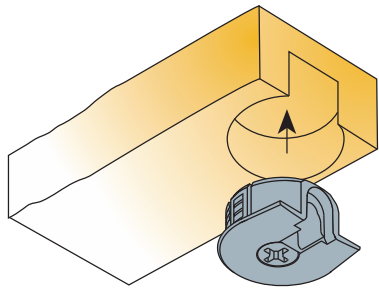
7.75	15/16	12.5	06383 →	861	877
9.25	18/19	14	06387 →	861	877
<i>Product available on American and Asian market only</i>					
<i>Other colours on request</i>					

System 6

Quickfit-Expando

25mm Heavy Duty Expanding Housing Non-outrigger

- Suitable for 12mm, 15mm/16mm and 18mm/19mm board for drop-on and/or side-entry applications
- All-metal
- 'Klix' locking feature provides a strong vibration proof connection
- Compatible with all System 6 Quickfit dowels

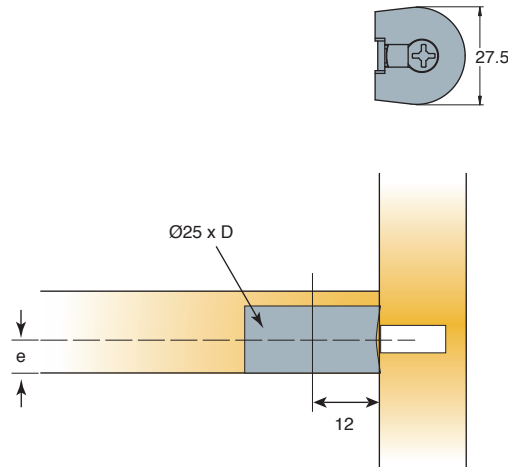


Technical and mounting details

D	e	Item number	Nickel plated
Drilling depth	Drilling for dowel		

Side-entry

11	5	06953 →	847
----	---	---------	-----

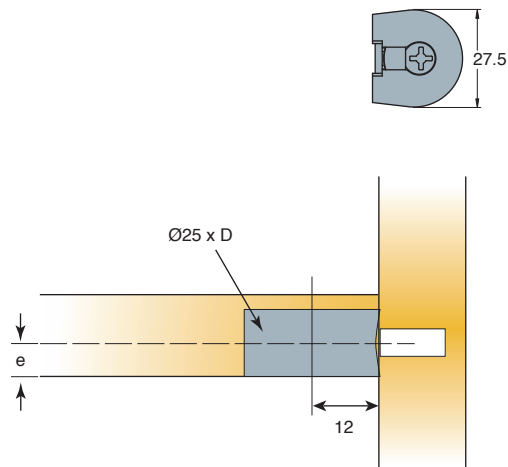


500 Pcs

Made of zinc

Drop-on

11	5	06949 →	847
----	---	---------	-----



500 Pcs

Made of zinc

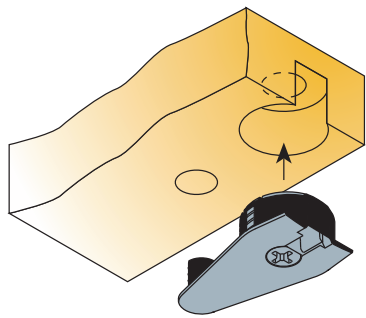
Dowels → see page 1.47

System 6

Quickfit-Expando

25mm Heavy Duty Expanding Housing Outrigger

- Suitable for 12mm, 15mm/16mm and 18mm/19mm board for drop-on and/or side-entry applications
- Available in all-metal
- 'Klix' locking feature provides a strong vibration proof connection
- Compatible with all System 6 Quickfit dowels

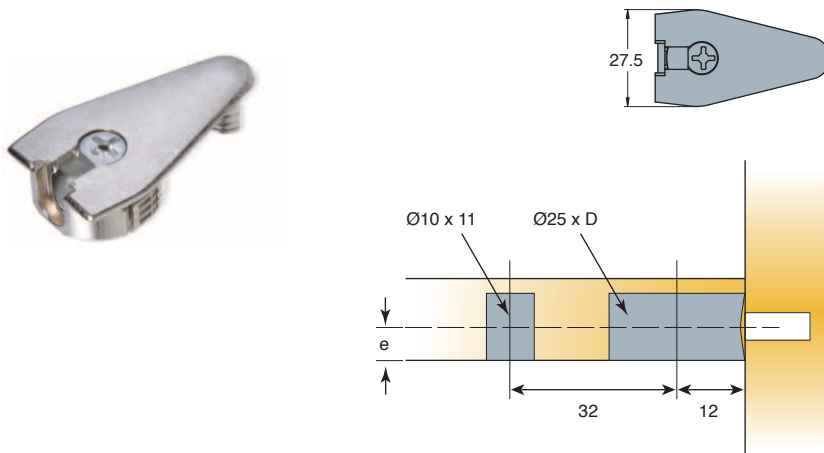


Technical and mounting details

D	e	Item number	Nickel plated
Drilling depth	Drilling for dowel		

Side-entry

11	5	06951 →	847
----	---	---------	-----

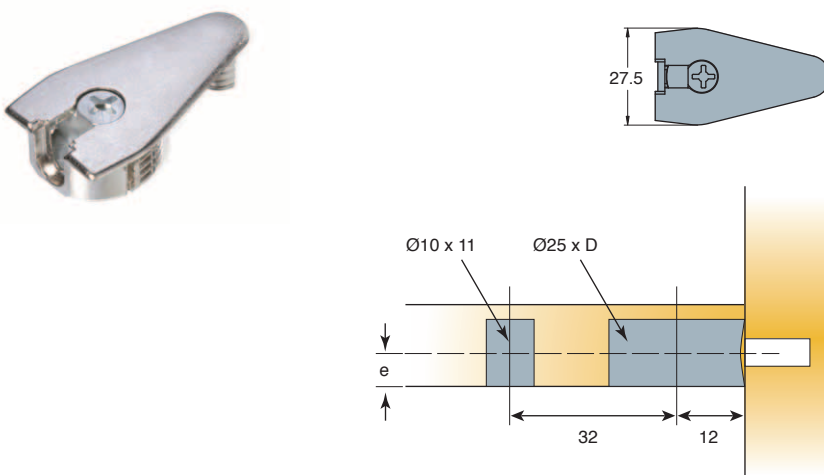


400 Pcs

Made of zinc

Drop-on

11	5	06947 →	847
----	---	---------	-----



500 Pcs

Made of zinc

Dowels → see page 1.47