

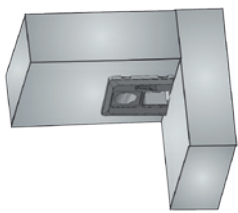
Titus



System 6
2nd Generation

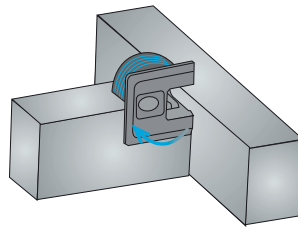
2023

System 6 2nd Generation



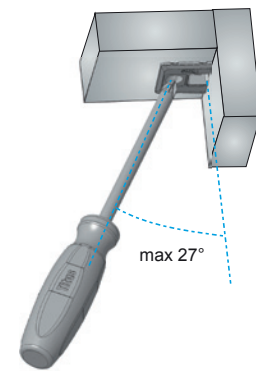
Efficient square design

- Optimal position parallel to the board surface
- Increased accuracy and ease at tightening
- Covers possible panel damage made at drilling



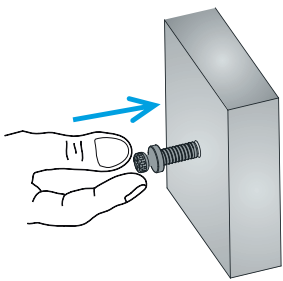
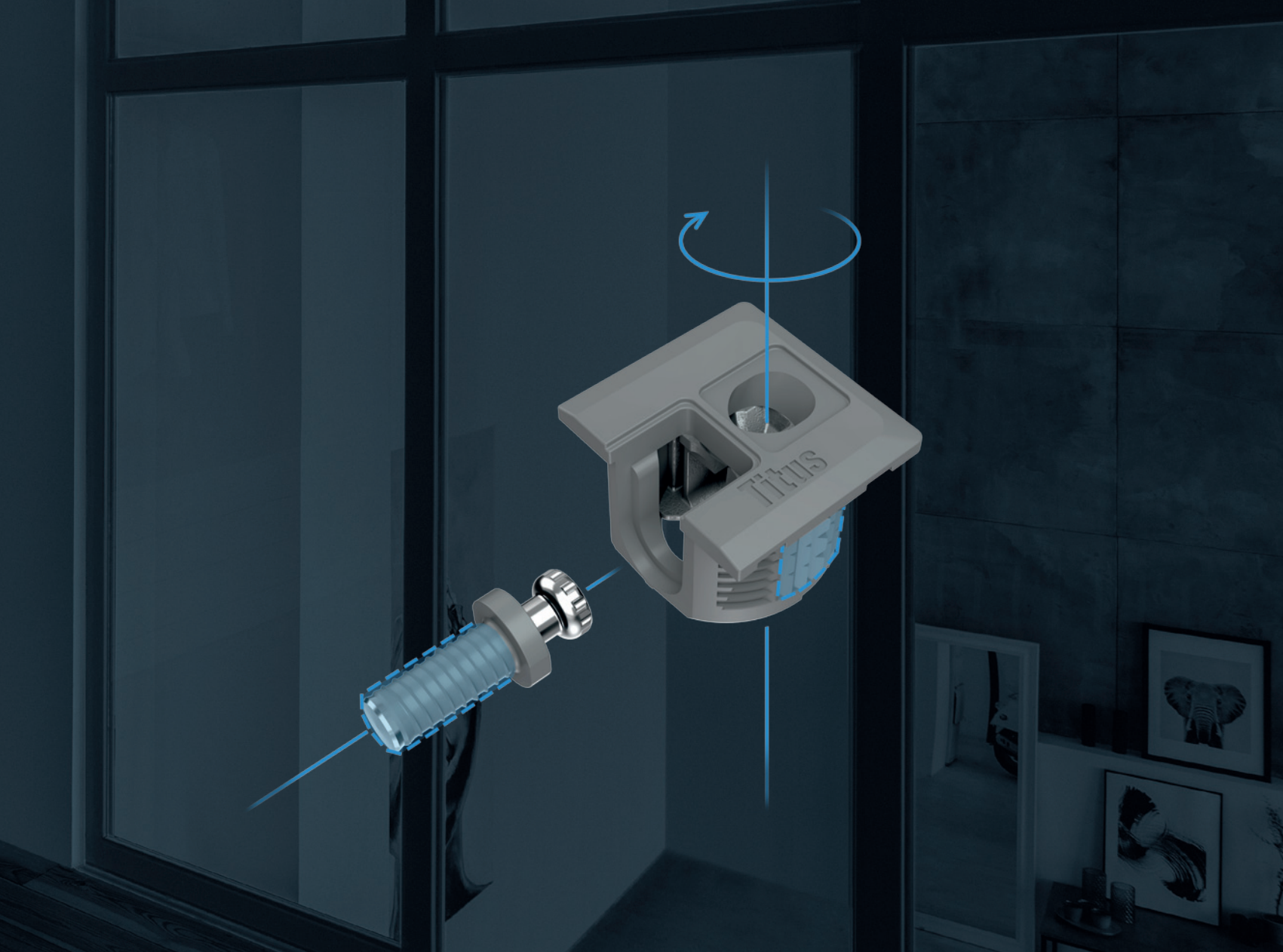
Ribs on housing prevent rotation in panel

- Firm cam positioning in the hole
- Facilitates factory and home insertion
- Aligned and tight panel joint



Comfortable tightening with Angledriv feature

- Ease of installation with comfortable wrist turning
- Comfortable tightening even on highly placed panels
- Sturdy construction assured



Fast assembly with Quickfit dowel

- Quick and easy tool-free dowel insertion
- Reduces assembly time
- Enhances user satisfaction



Ultimate on-site flexibility

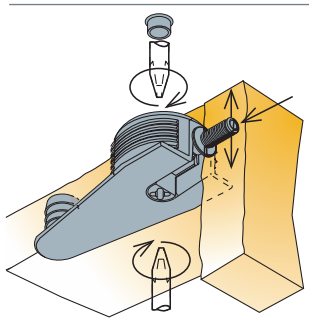

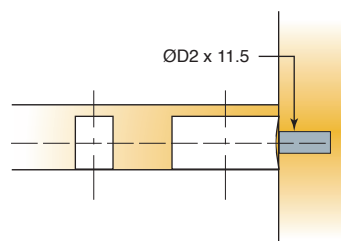



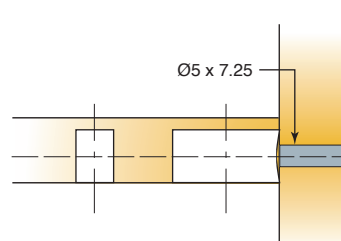

- Easy dowel removal without panel damage
- Allows for adding and removing shelves and vertical dividers at any time
- For walk-in closets, wardrobes and other storage systems

System 6 2nd Generation

Quickfit-Expando

Quickfit Expando Dowels

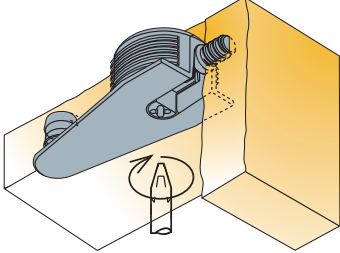


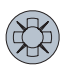
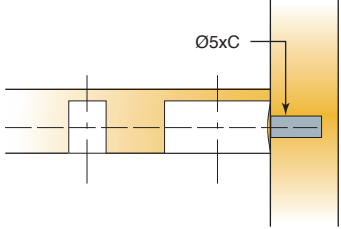


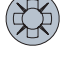
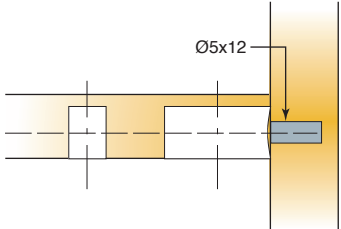



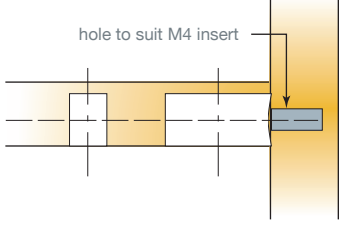


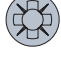
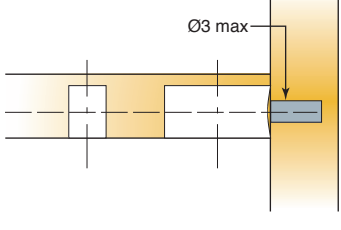

- Available in Ø5mm for panel-to-panel applications
- Suitable for applications with all Titus Ø20mm Sys 6 housings
- 'Klix' locking feature provides a strong, vibration proof connection
- Depth stop collar for accurate insertion

 Technical and mounting details		D2	Item number	Dark grey	
		Drilling diameter for dowel thread			
Dowel	 D2=Ø5mm	 Ø2 x 11.5	5	06576 →	880
			8	06629 →	880
	 D2=Ø8mm				
	 5000 Pcs	Made of zinc, plastic			
Dowel Ø5 x 7.25 back-to-back applications			5	06627 →	880
	 Ø5 x 7.25	 Ø5 x 7.25			
	 5000 Pcs	Made of zinc, plastic			

System 6 2nd Generation

Screw-in Dowels

- Available in various Ø3mm and/or Ø5mm thread forms for screw-in, knock-in and/or 'spiked' hole applications
- Suitable for applications with all Titus Sys 6 Ø20mm housing
- 'Klix' locking feature provides a strong, vibration proof connection
- Dowels feature an integral skirt which acts as a positive stop during insertion

 Technical and mounting details		C	Drilling depth for dowel thread	Item number		
					Zamak	Zinc plated
Dowel Ø5     2000 Pcs Made of zinc or steel			9	06401 →	885	
			8	06402 →	885	883
			11.5	06406 →	885	883
Dowel Ø5 x 11 knock-in     2000 Pcs Made of zinc				06403 →	885	
Dowel M4 x 7     4500 Pcs Made of steel				06405 →		883
Dowel Ø3 x 11.5     4500 Pcs Made of steel				06495 →		883


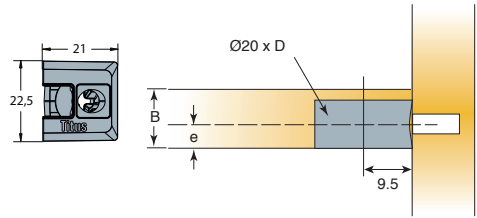

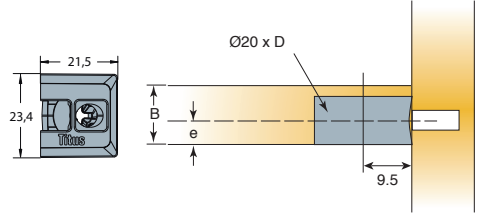

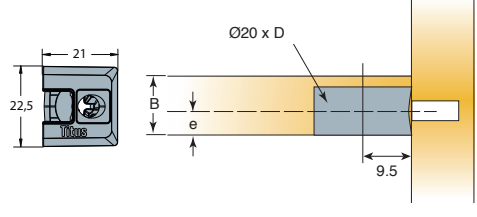

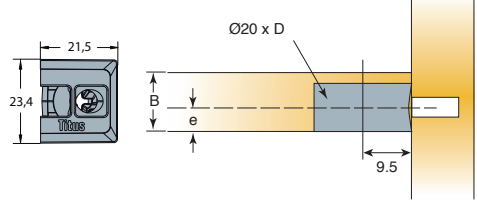


→ see page 1.59 in the Furniture Fittings Systems Technical Catalogue

System 6 2nd Generation

20mm Knock-in Housing

- Available in 15mm/16mm and 18mm/19mm versions for drop-on and/or side-entry applications
- Metal cover cap option
- 'Klix' locking feature provides a strong vibration proof connection
- Compatible with all Sys 6 screw-in dowels and Quickfit dowel 06576


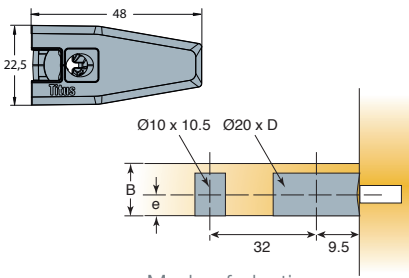

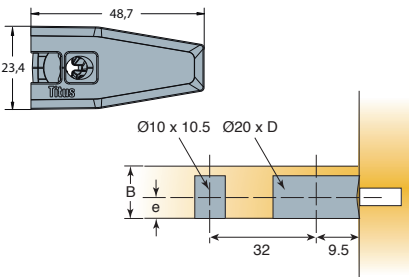

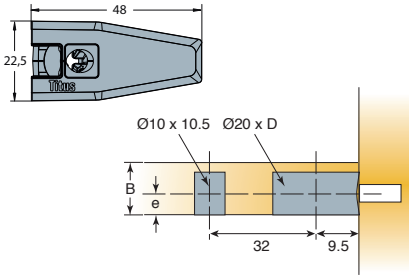

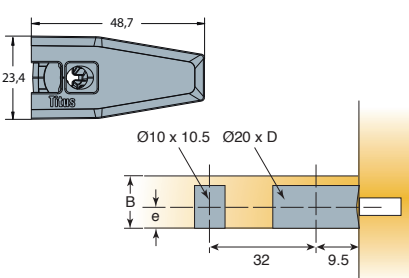
Technical and mounting details		e	B	D	Item number	Dark brown	Silver grey	Dark grey	White	Nickel plated
Side-entry  1000 Pcs Made of plastic		7.75	15/16	12.5	06973 →	831	381	383	877	
		9.25	18/19	14	06977 →	831	381	383	877	
<i>Other colours on request</i>										
Side-entry  1000 Pcs Made of plastic and steel		7.75	15/16	12.5	06974 →					847
		9.25	18/19	14	06978 →					
<i>Other colours on request</i>										
Drop-on  1000 Pcs Made of plastic		7.75	15/16	12.5	06975 →	831	381	383	877	
		9.25	18/19	14	06979 →	831	381	383	877	
<i>Other colours on request</i>										
Drop-on  1000 Pcs Made of plastic and steel		7.75	15/16	12.5	06976 →					847
		9.25	18/19	14	06980 →					
<i>Other colours on request</i>										

System 6 2nd Generation

20mm Knock-in Housing

Outrigger

- Available in 15mm/16mm and 18mm/19mm versions for drop-on and/or side-entry applications
- Metal cover cap option
- 'Klix' locking feature provides a strong vibration proof connection
- Compatible with all Sys 6 screw-in dowels and Quickfit dowel 06576

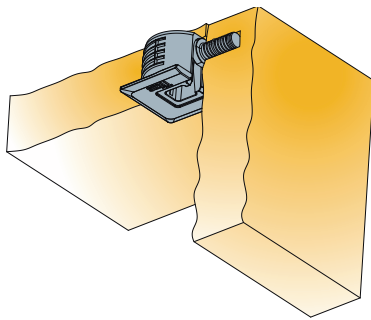
Technical and mounting details		e	B	D	Item number	Dark brown	Dark grey	Silver grey	White	Nickel plated
		Panel thickness	Drilling depth							
Side-entry  1000 Pcs Made of plastic		7.75	15/16	12.5	06981 →	831	383	381	877	
		9.25	18/19	14	06985 →	831	383	381	877	
	<i>Other colours on request</i>									
Side-entry  1000 Pcs Made of plastic and steel		7.75	15/16	12.5	06982 →					847
		9.25	18/19	14	06986 →					847
	<i>Other colours on request</i>									
Drop-on  1000 Pcs Made of plastic		7.75	15/16	12.5	06983 →	831	383	381	877	
		9.25	18/19	14	06987 →	831	383	381	877	
	<i>Other colours on request</i>									
Drop-on  1000 Pcs Made of plastic and steel		7.75	15/16	12.5	06984 →					847
		9.25	18/19	14	06988 →					847
	<i>Other colours on request</i>									

System 6 2nd Generation

Wedgefix Housing

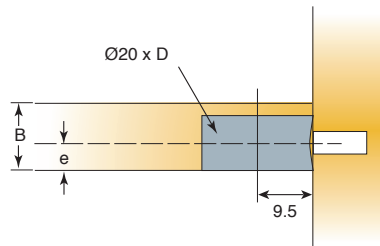
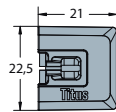
(no Inner Cam)

- Available in 15mm/16mm and 18mm/19mm versions for Sys 6 screw-in and Quickfit dowel application
- Available in a variety of plastic colours
- Wedgefix housing allows easy customer hand assembly or factory automated insertion
- When used with Sys 6 Quickfit dowels this provides a true toolless fastening system



Technical and mounting details

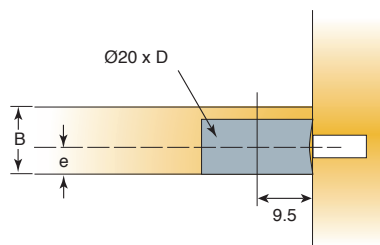
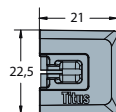
For use with screw-in dowels



1000 Pcs

Made of plastic

For use with Quickfit dowels



1000 Pcs

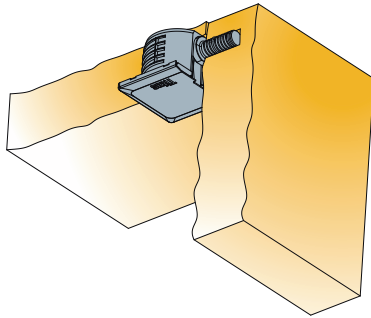
Made of plastic

e	B	D	Item number	White	Dark grey	Dark brown	Silver grey
7.75	15/16	12.5	06619 →	877	383	831	381
9.25	18/19	14	06620 →	877	383	831	381
<i>Other colours on request</i>							
7.75	15/16	12.5	06621 →	877	383	831	381
9.25	18/19	14	06622 →	877	383	831	381
<i>Other colours on request</i>							

System 6 2nd Generation

Add-on Cover Caps

- Metal cover caps for retrofit mounting
- Fits all Sys 6 2nd Generation plastic housings
- Provides anti-dust protection of inner cam
- Enhanced look and contemporary design



Technical and mounting details

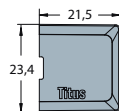
Item number

Nickel plated

Cover cap for 20mm housing

06596 →

847



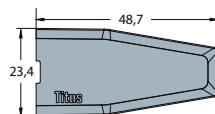
 1000 Pcs

Made of steel

Cover cap for 20mm outrigger housing

06598 →

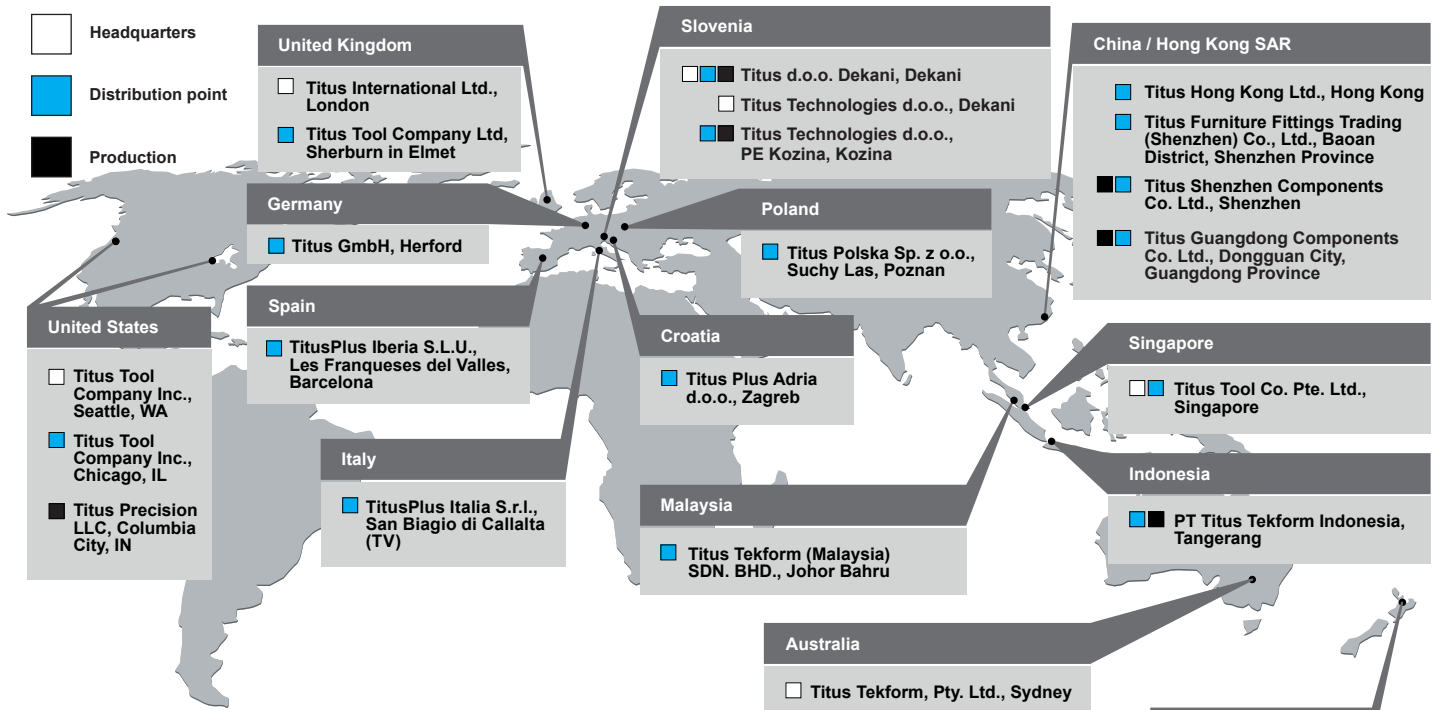
847



 1000 Pcs

Made of steel

Worldwide Design, Manufacturing and Distribution Capabilities



Europe

Titus d.o.o. Dekani
 Dekani 5
 SI-6271 Dekani
 Slovenia
 +386 5 6690 101
 +386 5 6690 205 Fax
 info@titusplus.com

Titus Technologies d.o.o.
 Dekani 5
 SI-6271 Dekani
 Slovenia
 +386 5 6690 422
 technologies@titusplus.com

Titus Technologies d.o.o., PE Kozina
 OIC Hrpelje 36
 SI-6240 Kozina
 Slovenia
 +386 5 6690 422
 technologies@titusplus.com

Titus Plus Adria d.o.o.
 Ulica Kreše Golika 3
 HR-10090 Zagreb
 Croatia
 +385 1 3323 033
 +385 1 3323 233 Fax
 croatia@titusplus.com

Titus Polska Sp. z o.o.
 Ul. Stefańskiego 17 A
 PL-62-002 Suchy Las/Poznań
 Poland
 +48 61 811 5402 Phone/Fax
 +48 61 811 5684 Phone/Fax
 +48 61 821 9362
 poland@titusplus.com

TitusPlus Italia S.r.l.
 Via Aquileia 9
 Frazione Olmi
 IT-31048 San Biagio di Callalta (TV)
 Italy
 +39 04 221 650 120
 +39 04 221 650 136 Fax
 italia@titusplus.com

TitusPlus Iberia SLU
 C/ Luxemburg 16
 ES-08520 Les Franqueses del Valles
 Spain
 +34 938 715 404
 +34 938 605 498 Fax
 iberia@titusplus.com

Titus GmbH
 Lübberlindenweg 12
 DE-32049 Herford
 Germany
 +49 5221 1024880
 germany@titusplus.com

Titus Tool Company Ltd.
 10 Blackburn Industrial Estate
 Enterprise Way
 Sherburn in Elmet
 LS256NA
 United Kingdom
 +44 1977 682582
 +44 1977 680481 Fax
 uk@titusplus.com

America

Titus Tool Company Inc.
 2800 156th Avenue SE
 Suite 135
 Bellevue, WA 98007
 USA
 +1 800 762 1616 Toll free
 +1 425 746 2080
 +1 425 746 2344 Fax
 usa@titusplus.com

Titus Tool Company Inc.
 11056 W. Addison Street
 Franklin Park, IL 60131
 USA
 +1 800 762 1616 Toll free
 +1 425 746 2080
 +1 425 746 2344 Fax
 usa@titusplus.com

Titus Precision LLC
 900 W Connexion Way
 Columbia City, IN 46725
 USA
 +1 260 244 6114
 +1 425 746 2080
 +1 425 746 2344 Fax
 usa@titusplus.com

Australia and New Zealand

Titus Tekform Pty Ltd
 83 Jemma Road
 Prestons NSW 2170
 Australia
 +61 2 9286 0007
 +61 2 9826 0074
 info@titustekform.com.au
 www.titustekform.com.au

Stefano Orlati Ltd
 34 Waipareira Avenue
 Henderson
 Auckland
 New Zealand
 +64 9 837 0886
 +64 9 837 8003 Fax
 stefano-orlati@titusplus.com
 www.stefano-orlati.co.nz

Asia

Titus Tool Co. Pte. Ltd.
 5004 Ang Mo Kio Ave 5
 Techplace II #04-01
 Singapore 569872
 Singapore
 +65 6383 3922
 +65 6383 3178 Fax
 singapore@titusplus.com

Titus Guangdong Components Co. Ltd.
 Room 101, Building No. 1
 No. 358 Daxing Road
 Yangwu Village, Dalingshan Town
 Dongguan City
 Guangdong Province
 China
 +86 769 85659801 803
 china@titusplus.com

Titus Shenzhen Components Co. Ltd.
 1st Floor Building No. 2
 Heng Changrong High-tech
 Industrial Park
 ShangNan South Road
 Shangjin Street
 Bao'an District
 Shenzhen City
 Guangdong Province
 China
 +86 755 8348 0916
 +86 8359 2676
 china@titusplus.com

Titus Tekform Indonesia, PT
 Taman Teknoblok L2 No. 7
 Bumi Serpong Damai Sektor XI
 15314 Tangerang
 Indonesia
 +62 21 70753578
 +62 21 75873574 Fax
 indonesia@titusplus.com

Headquarters

Titus International Ltd
 28 Fitzroy Square
 W1T 6DD London
 United Kingdom
 +44 20 8004 8083
 info@titusplus.com
 www.titusplus.com

Important Information

Technical information

While every effort has been made in the production of this catalogue to ensure the accuracy of information, our products are continually being revised and users should confirm the up to date specification before ordering. Due to constant improvement of products presented in the catalogue, we can make changes at any time and without notice.

Responsibility

It is the responsibility of the user to ensure the fitness of hardware for the intended purpose. We recommend assessment by appropriate testing in the application and by technical enquiry to our representatives.

Intellectual property

Titus Group owns the intellectual property rights in its products worldwide whether as trademarks, patents, intellectual, copyright, designs, illustrations, drawings and the 'know how' contained in their design and production. Titus Group respects the equivalent rights in competitors and all other relevant product design rights. To our knowledge our products do not infringe any intellectual property rights of competitors or other parties. Titus Group takes infringements of its rights seriously and will rigorously defend these rights to the full extent of the law.

***Non-standard articles**

All Item numbers in the catalogue marked with * are for non preferred items available on extended delivery times.

Trademarks

Titus and Titusonic are registered trademarks of Titus International Ltd. Lama is a registered trademark of Titus d.o.o. Dekani, WoodWelding is a registered trademark of WW SA.

Your authorized dealer

Titus Group
www.titusplus.com

Titus System 6 03.1 Eng Apr23