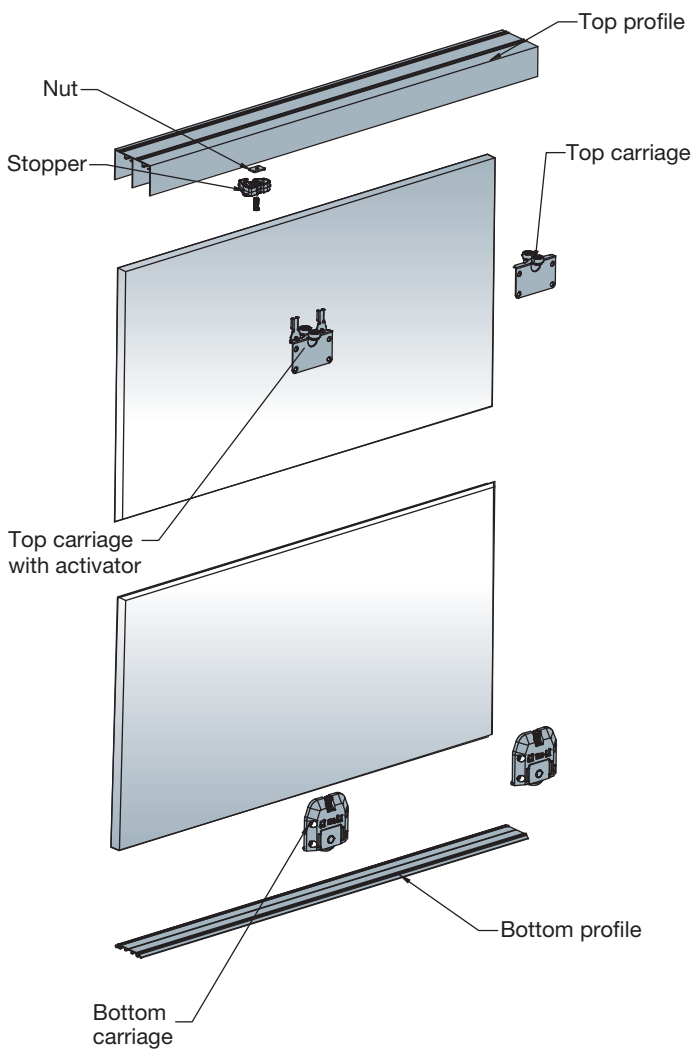
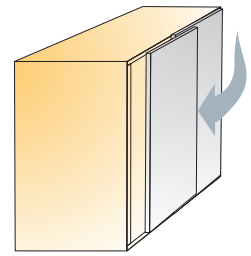


Set 200s

Sliding Door Mechanism

For bottom running sliding door systems



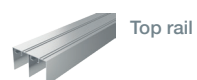
20 sets (610-9099-040-K1)

15 sets (610-9099-040-K2)

Item number for set	Set for 2-doors	Set for 3-doors
610-9099-040	K1	K2
Set consists of		
Bottom carriage	4 pcs	6 pcs
Top carriage	2 pcs + 2 pcs	3 pcs + 3 pcs
Stopper	4 pcs	6 pcs + 1 pcs
Slot nut	4 pcs	8 pcs
Screw M4 x 16	4 pcs	8 pcs
Pan head screw	32 pcs	48 pcs
Self adhesive tape	5 pcs	5 pcs
Mounting instructions	1 pc	1 pc

Rails and accessories are not included in the set. Please order separately!

Rails

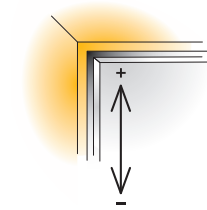


Accessories



- Door weight max. 50kg
- Door thickness 18-23mm
- Door material wood (chipboard, MDF, solid wood)

Door adjustment

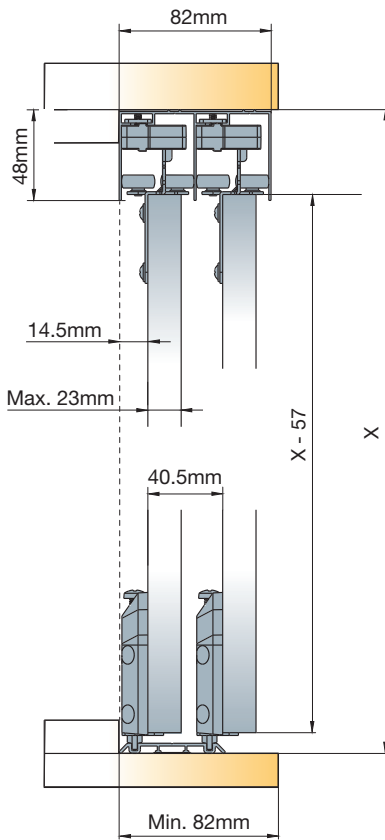


Height adjustment
-0/+10mm

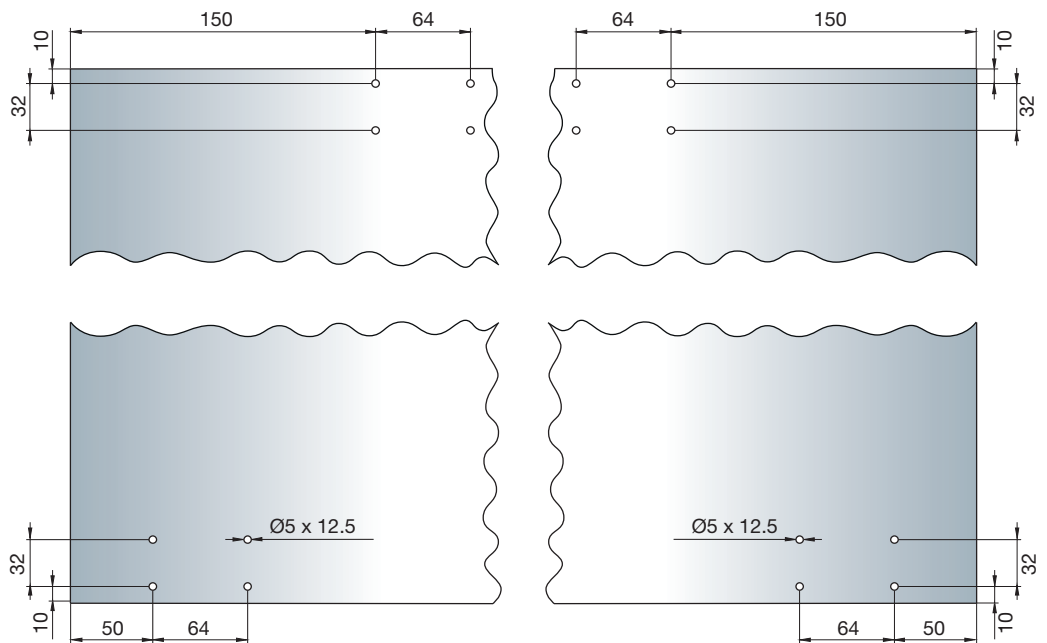
Mounting details

Technical details

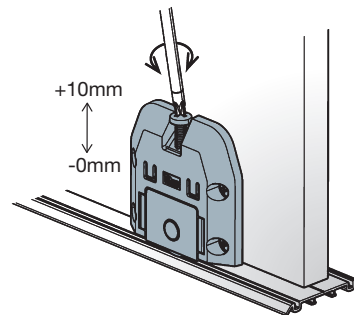
Top and bottom carriage drilling positions



X = space available between top and bottom panel
X - 57 = door height



Height Adjustment



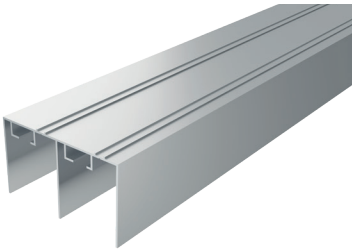
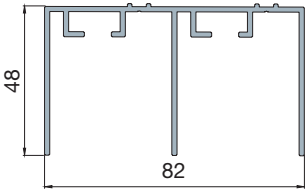
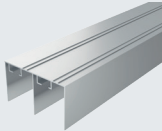


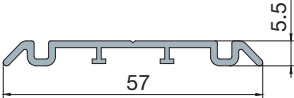

Bottom carriage is factory preset to the lowest value.

Rails

For Set 200





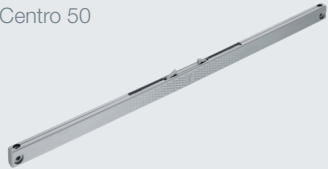
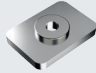





Screws for top rail are not supplied and depend on the application (cabinet, built-in cabinet).
Bottom rail is fixed with self-adhesive tape.
Rail is pre-drilled and ready to install.

		Rail length	Item number
Top rail  		2000	610-9103-070-K1
		2400	610-9106-070-K1
		3000	610-9109-070-K1
<i>*other lengths upon special request</i>			
Set consists of:			
	Top rail 		1 pc
	Bottom rail 		1 pc
Bottom rail  			
 5 sets			

Accessories

Slidix Soft Closing Systems

	Item number for set	Set for 2-doors	Set for 3-doors
<p>Slidix Solo 50</p> 	610-9196-380 	K2	K3
	Set consists of		
	<p>Slidix Solo 50</p> 	4 pcs	6 pcs
<p>Slidix Centro 50 for middle door</p> 	<p>Slidix Centro 50</p> 		1 pcs
	<p>Nuts for slidix</p> 	4 pcs	6 pcs
	<p>Screws for slidix</p> 	4 pcs	6 pcs

-  20 sets (610-9196-380-K2)
-  26 sets (610-9196-380-K3)