



RV Push Locks

Important Information

Technical information

While every effort has been made in the production of this catalogue to ensure the accuracy of information, our products are continually being revised and users should confirm the up to date specification before ordering. Due to constant improvement of products presented in the catalogue, we can make changes at any time and without notice.

Responsibility

It is the responsibility of the user to ensure the fitness of hardware for the intended purpose. We recommend assessment by appropriate testing in the application and by technical enquiry to our representatives.

Intellectual property

Titus Group owns the intellectual property rights in its products worldwide whether as trademarks, patents, intellectual, copyright, designs, illustrations, drawings and the 'know how' contained in their design and production. Titus Group respects the equivalent rights in competitors and all other relevant product design rights. To our knowledge our products do not infringe any intellectual property rights of competitors or other parties. Titus Group takes infringements of its rights seriously and will rigorously defend these rights to the full extent of the law.

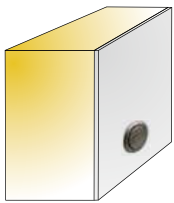
*Non preferred articles

All Item numbers in the catalogue marked with * are for non preferred items available on extended delivery times.

Trademarks

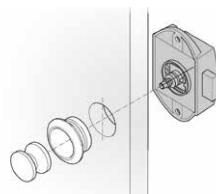
Titus and Titusonic are registered trademarks of Titus International Ltd. Lama is a registered trademark of Titus d.o.o. Dekani, WoodWelding is a registered trademark of WW SA.

RV Push Locks



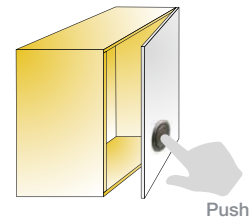
Secure locking of cabinets during transit

- Consistent and reliable functioning throughout the product life-time
- For recreational vehicles, boats & yachts, trucks and industrial van interiors



Easy to mount

- Simple mounting instructions
- Non-handed lock design for intuitive mounting regardless of the position on door



Effortless push-in opening and closing

- Only a light push on knob is required for comfortable door opening and closing



Enhanced cabinet design

- Various designs and colours
- Range of push knobs and handles
- Flushed with door surface for elegant and sophisticated look to interior

Magnet Lock with 'close & forget' functionality

- Self-locking mechanism provide instant door locking without the need to push the knob before taking-off
- For mind-free travelling experience

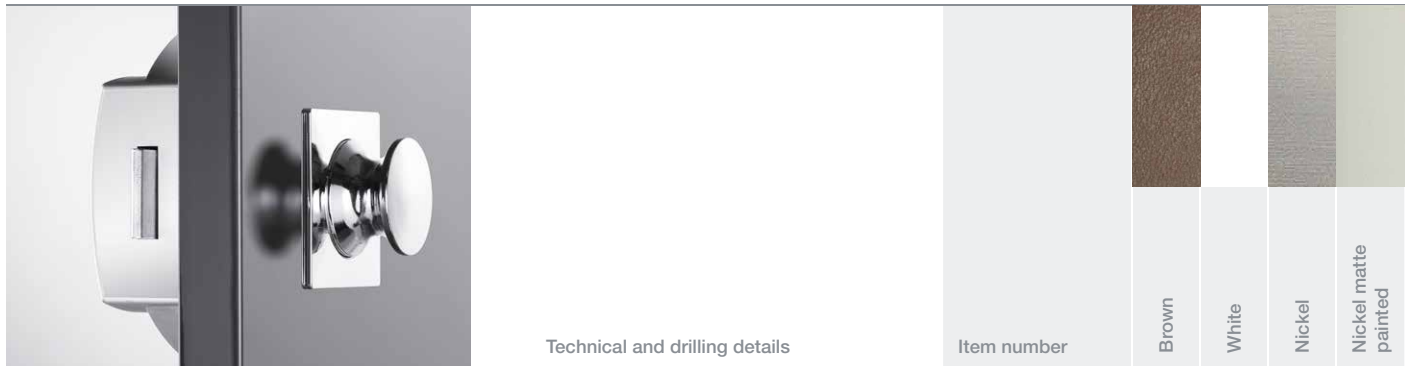
Versatile range of applications

- For pivot doors, lift-up doors and drawers
- For 13, 16 and 19mm door thickness
- Contemporary square design of knobs and rosettes

Push Lock

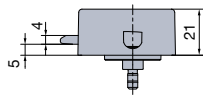
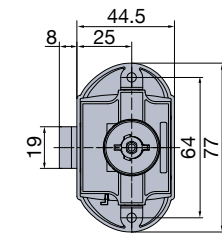
i Push Espagnollete Lock requires a metal rod for locking on top and bottom of the cabinet. It is usually used on tall doors.

- Backset 25mm
- Mounting Non-handed
- Locking system With push-button locking
- Fixing screw-on



Push Lock 9381

Item number	Brown	White	Nickel	Nickel matte painted
917-9816 →	370	350	251	404
*917-9894 →				404



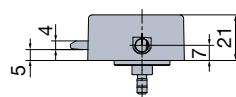
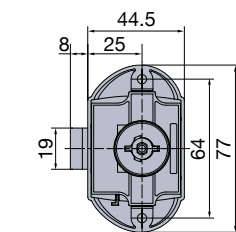
For a complete set select Rosette and Knob → see pages 8-10

100 Pcs

Housing made of plastic or *zinc, bolt made of zamak

Push Esp Lock 938

Item number	Brown	White	Nickel	Nickel matte painted
917-9815 →	370	350		



For a complete set select Rosette and Knob → see pages 8-10

Push Espagnollete Lock requires a metal rod for locking on top and bottom of the cabinet

100 Pcs

Housing made of plastic, bolt made of zamak

Rosettes and Knobs



Rosette
→ see page 7-8



Rosette square
→ see page 9

Counter plate

→ see page 11



Closing catch

→ see page 11



Knob
→ see page 7-8



Knob square
→ see page 9

Rosettes and Knobs

For Push Lock and Push Espagnollete Lock

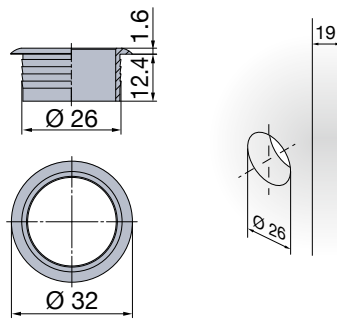


Technical details



Item number	Nickel	Nickel matte	Chrome	Chrome matte	Grey	White	Brown
-------------	--------	--------------	--------	--------------	------	-------	-------

Rosette 19
for 19mm door thickness

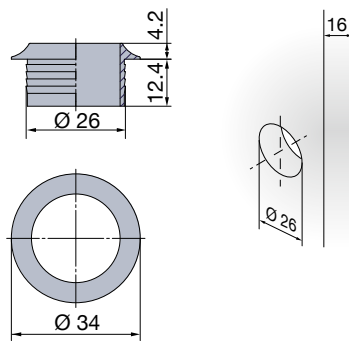


500 Pcs

Made of plastic or *zinc

980-4843 →		250	211	210			
*980-3047 →			701				

Rosette 16
for 16mm door thickness

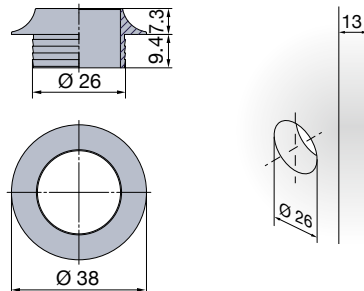


500 Pcs

Made of plastic or *zinc

980-4842 →	251	250	211	210	385	350	370
*980-3045 →			211				

Rosette 13
for 13mm door thickness




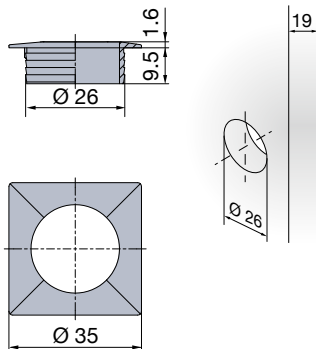


500 Pcs

Made of plastic

980-4844 →		250	211				
------------	--	-----	-----	--	--	--	--

Rosettes and Knobs

For Push Lock and Push Espagnollete Lock


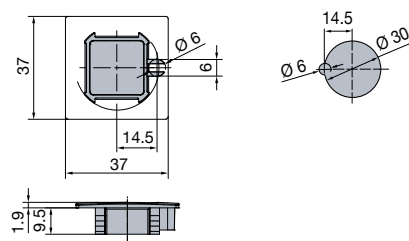

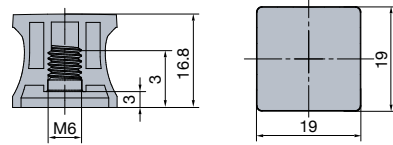

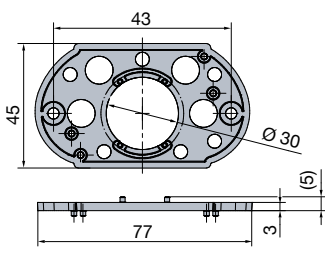
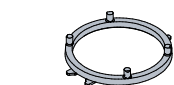
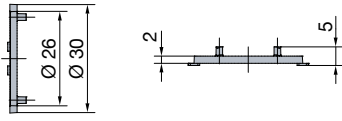
									
Technical details		Item number	Chrome	Nickel matte	Nickel	Chrome matte	White	Brown	Grey
Rosette 19 Square for 19mm door thickness		980-4849 →	211		251				
 									
 500 Pcs		Made of plastic							
Knob for Push Lock and Push Espagnolette Lock		981-4862 →	211	250	251	210	350	370	385
 		*981-3046 → 701							
 500 Pcs		Knob fits all rosette heights Made of plastic or *zinc							

Square Rosette and Knob


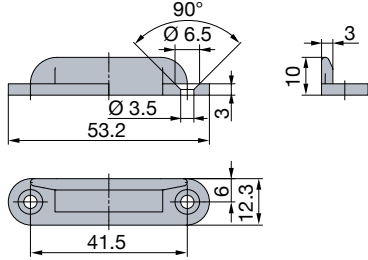


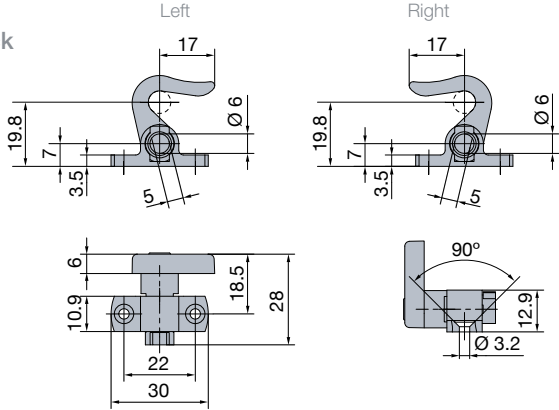


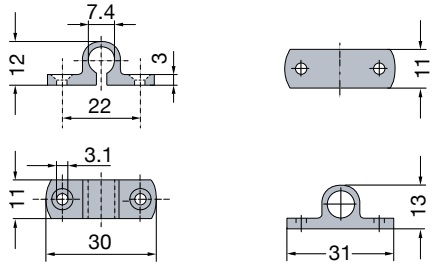

For Push Lock and Push Espagnolette Lock

i Same rosette and knob is used for 13, 16 and 19mm door thicknesses.
Select the right combination of parts for each thickness from this chart:

Items required	19mm	16mm	13mm
Rosette	1	1	1
Push Button	1	1	1
Centering Ring	1	0	0
Distance Plate	0	1	2

Technical details	Item number	Black	Anthracite	Nickel	Nickel matte	Chrome	Chrome matte	Grey
		401	400	251	250	211	210	387
 <p>Rosette Square 19</p>  <p>500 Pcs Made of plastic</p>	980-4775	401	400	251	250	211	210	
 <p>Knob Square 19</p>  <p>500 Pcs Made of plastic</p>	981-4774	401	400	251	250	211	210	
 <p>Distance plate for Square Rosette and Knob</p>  <p>500 Pcs Made of plastic</p> <p><i>Distance plate compensates the "loss" of material, ensuring the right distance from push-lock to knob</i></p> <p><i>In case of 13mm door use 2 pcs</i> <i>In case of 16mm door use 1 pc</i></p>	927-4776							387
 <p>Centering ring</p>  <p>500 Pcs Made of plastic</p> <p><i>The centering ring is needed to ensure the stable location of the rosette in the door</i></p> <p><i>Must be used on all 19mm door only</i></p>	927-4777							387

Accessories

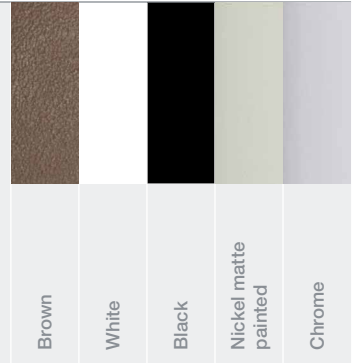
		Left/right version			
		Item number	Grey	Black	Brown
Counter plate  		927-4893 →	387		370
 500 Pcs Made of plastic					
Closing catch for espagnolette lock  		L	927-9843 →		390
		L	927-9823 →		370
		R	927-9844 →	390	
		R	927-9825 →		370
 500 Pcs Made of plastic					
Rod guide  		927-4877 →			370
 500 Pcs Made of plastic					

Push Lock Mini

- Backset 15mm
- Mounting Non-handed
- Locking system With push-button locking
- Fixing screw-on



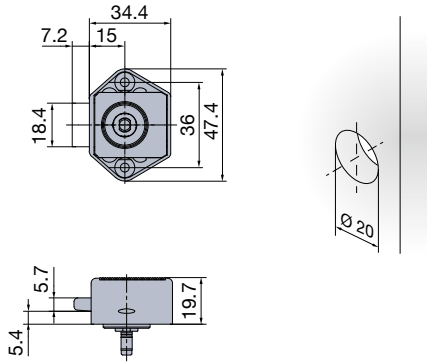
Technical and drilling details



Push Lock Mini 9291

Item number	Brown	White	Black	Nickel matte painted	Chrome
917-9814 →	370	350	390	404	211

For a complete set select Rosette and Knob
→ see pages 13-14



100 Pcs

Made of plastic

Rosettes and Knobs



Rosette Mini
→ see page 12



Knob Midi
→ see page 13








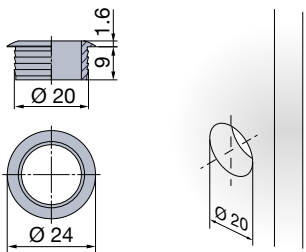

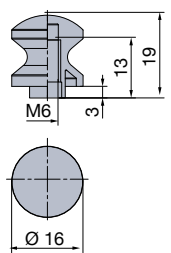

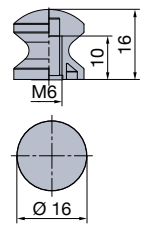
Knob Mini
→ see page 12

Counter plate
→ see page 11



Rosettes and Knobs

For Push Lock Mini

	<p>Technical details</p>	<p>Item number</p>	 <p>Nickel matte</p>	 <p>Chrome matte</p>	 <p>Chrome</p>
<p>Rosette Mini</p>   <p>500 Pcs Made of plastic</p>		<p>980-4845 →</p>	<p>250</p>	<p>210</p>	<p>211</p>
<p>Knob Mini 16 for 16mm door thickness</p>   <p>500 Pcs Made of plastic</p>		<p>981-4857 →</p>	<p>250</p>	<p>210</p>	<p>211</p>
<p>Knob Mini 13 for 13mm door thickness</p>   <p>500 Pcs Made of plastic</p>		<p>981-4867 →</p>	<p>250</p>		<p>211</p>

Rosettes and Knobs

For Push Lock Mini

i Knob Midi works with Push Lock Mini. Use it when you prefer bigger knob.

Thickness	Midi 19	Midi 16
19mm	RS 19	-
16mm	RS 16	RS 19
13mm	RS 13	RS 16

Technical details		Item number	Chrome	Nickel matte	Chrome matte
<p>Knob Midi 19 for 19mm door thickness</p>  	<p>500 Pcs</p> <p>Made of plastic</p>	981-4860 →	211	250	
<p>Knob Midi 16 for 16mm door thickness</p>  	<p>500 Pcs</p> <p>Made of plastic</p>	981-4861 →	211		210

Magnet Lock

Self-locking mechanism

i Magnet lock is used in the combination with handle

- Backset 25mm
- Mounting Non-handed
- Locking system self-locking
- Fixing screw-on



Technical and drilling details

Item number

Grey

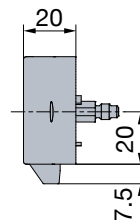
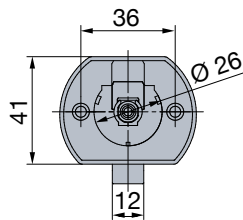
917-9163 →

380

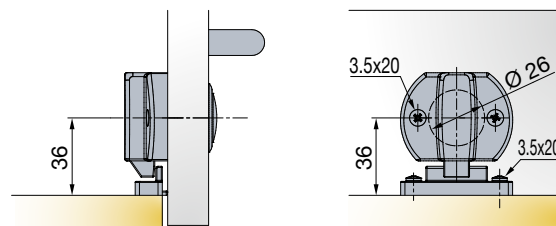
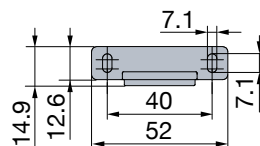
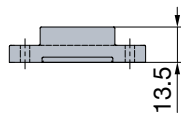
A set consists of:
100 pcs Magnet Lock
100 pcs Counter plate



Magnet Lock



Counter plate



100 Pcs

Made of plastic

Rosettes and Knobs



Rosette
→ see page 7-8



Rosette square
→ see page 9

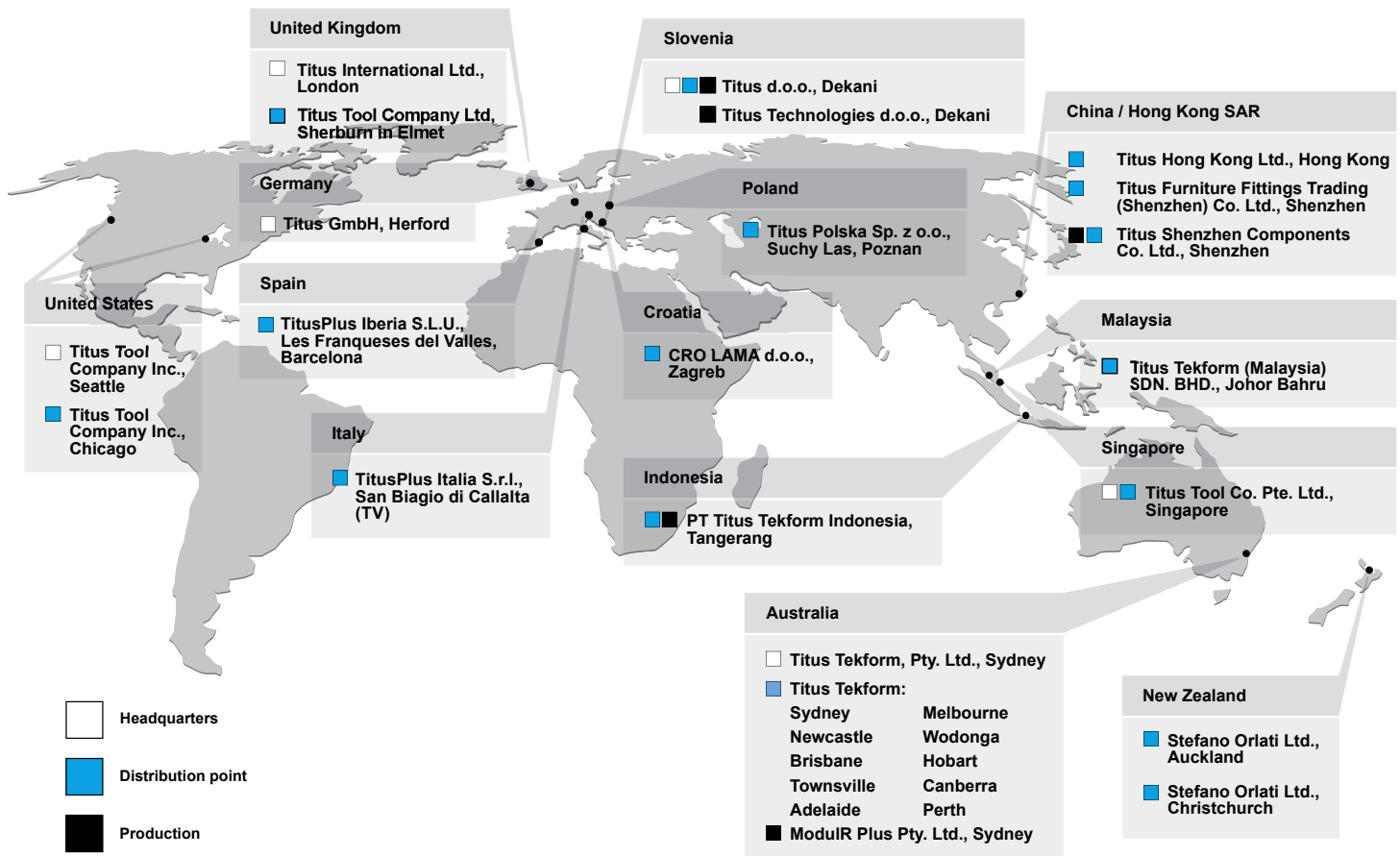


Knob
→ see page 7-8



Knob square
→ see page 9

Worldwide design, manufacturing and distribution capabilities



Europe

Titus d.o.o. Dekani
 Dekani 5
 SI-6271 Dekani
 Slovenia
 +386 5 6690 213
 +386 5 6690 205 Fax
 info@titusplus.com

Titus Technologies d.o.o.
 Dekani 5
 SI-6271 Dekani
 Slovenia
 +386 5 6690 000
 technologies@titusplus.com

Titus Tool Company Ltd.
 10 Blackburn Industrial Estate
 Enterprise Way
 Sherburn in Elmet
 LS256NA
 United Kingdom
 +44 1977 682582
 +44 1977 680481 Fax
 uk@titusplus.com

CRO LAMA d.o.o.
 Kreše Golika 3
 HR-10000 Zagreb
 Croatia
 +385 1 3323 033
 +385 1 3323 233 Fax
 croatia@titusplus.com

Titus Polska Sp. z o.o.
 ul. Stefańskiego 17 A
 PL-62-002 Suchy Las/Poznań
 Poland
 +48 61 811 5402 Phone/Fax
 +48 61 811 5684 Phone/Fax
 +48 61 821 9362
 poland@titusplus.com

TitusPlus Italia S.r.l.
 Via Aquileia 9
 Frazione Olmi
 IT-31048 San Biagio di Callalta (TV)
 Italy
 +39 04 221 650 120
 +39 04 221 650 136 Fax
 italia@titusplus.com

TitusPlus Iberia S.L.U.
 C/ Luxemburg 16
 ES-08520 Les Franqueses del Valles
 (Barcelona)
 Spain
 +34 938 715 404
 +34 938 605 498 Fax
 iberia@titusplus.com

Titus GmbH, Herford
 Lübberlindenweg 12
 DE-32049 Herford
 Germany
 + 49 5221 102488-0
 germany@titusplus.com

America

Titus Tool Company Inc.
 2800 156th Avenue SE
 Suite 135
 Bellevue, WA 98007
 USA
 +1 800 762 1616 Toll free
 +1 425 746 2080
 +1 425 746 2344 Fax

Titus Tool Company Inc.
 11056 W. Addison Street
 Franklin Park, IL 60131
 USA
 +1 800 762 1616 Toll free
 +1 425 746 2080
 +1 425 746 2344 Fax
 usa@titusplus.com

Australia and New Zealand

Titus Tekform Pty Ltd
 83 Jedda Road
 Prestons NSW 2170
 Australia
 +61 2 9286 0007
 +61 2 9826 0074 Fax
 www.titustekform.com.au
 info@titustekform.com.au

Stefano Orlati Ltd
 34 Waipareira Avenue
 Henderson
 Auckland
 New Zealand
 +64 9 837 0886
 +64 9 837 8003 Fax
 www.stefano-orlati.co.nz
 stefano-orlati@titusplus.com

Asia

Titus Tool Co. Pte. Ltd.
 5004 Ang Mo Kio Ave 5
 Techplace II #04-01
 Singapore 569872
 Singapore
 +65 6383 3922
 +65 6383 3178 Fax
 singapore@titusplus.com

Titus (Shenzhen) Components Co. Ltd.
 1st Floor Building No. 2
 Heng Changrong High-tech Industrial Park
 ShangNan South Road
 Shangjin Street
 Baoan District Shenzhen Province
 China
 +86 755 8348 0916
 +86 8359 2676 Fax
 china@titusplus.com

Titus Tekform Indonesia, PT
 Taman Teknoblok L2 No. 7
 Bumi Serpong Damai Sektor XI
 15314 Tangerang
 Indonesia
 +62 21 75873578
 +62 21 75873574 Fax
 indonesia@titusplus.com

Headquarters

Titus International Ltd
 28 Fitzroy Square
 London
 W1T 6DD
 United Kingdom
 info@titusplus.com
 www.titusplus.com
 info@titusplus.com

Your authorized dealer

Titus Group
www.titusplus.com

RV Cabinet Locks Eng Sep21