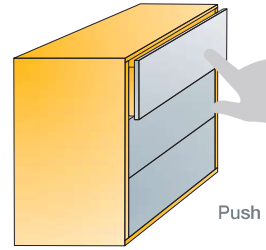
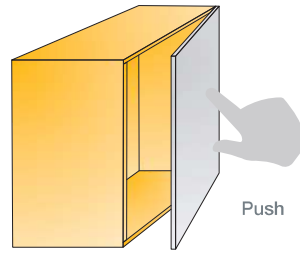


Push Latch

For wood doors and drawers



Push latch



Push latch



Cross mounting plate



Linear mounting plate

Spring force N (released)	Spring force N (loaded)	Item number	Bronze
---------------------------	-------------------------	-------------	--------

Push latch	10	20	915-0X59 →	381
------------	----	----	------------	-----

Push latch	13	27	915-0320 →	381
------------	----	----	------------	-----

Linear m. plate			915-4175 →	381
-----------------	--	--	------------	-----

Cross m. plate			915-4183 →	381
----------------	--	--	------------	-----

915-0X59-381-K1



200 Sets

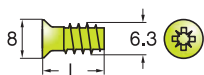
915-0X59-381-K2



200 Sets

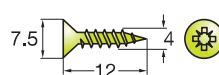
200 Pcs Made of steel and plastic

Fixing screws for mounting plates



Euro screws
821-6323-050

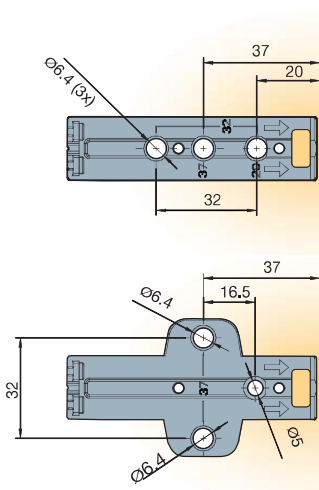
10000 Pcs



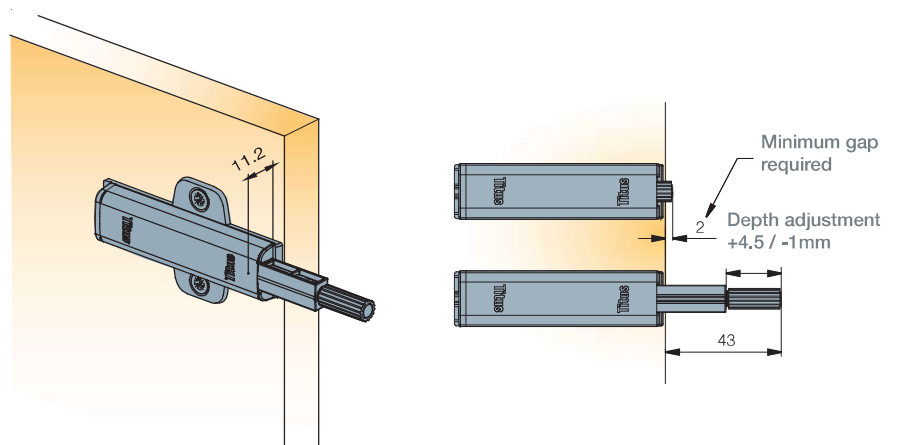
Chipboard screws

- Works with standard concealed hinges and drawers
- Effortless opening with just a light touch
- Depth adjustment ensures reliable closing and consistent performance in cases of inaccurate drilling
- 'Safety click' feature for easy detachment of the mechanism from the mounting plate

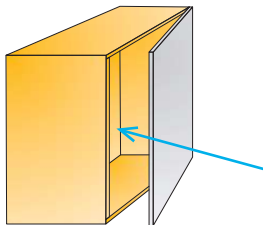
Drilling pattern



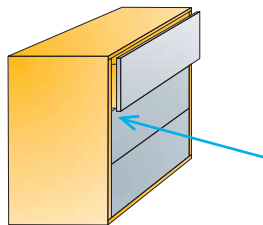
Dimensions



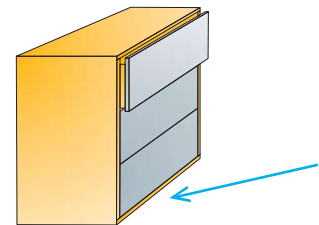
Positioning



Close to the 'touch opening point' on the side opposite to hinges



On the cabinet side; gap between drawer and cabinet side = min 12mm



On the drawer bottom; in the middle of drawer

Push latch works with standard hinges.

Push latch works on drawer; the gap between the drawer and the cabinet side = min. 12 mm