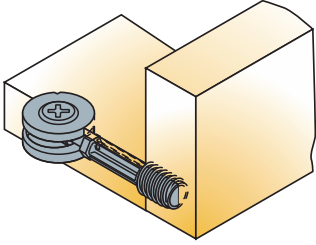


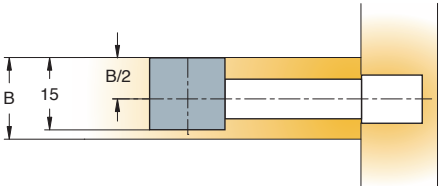

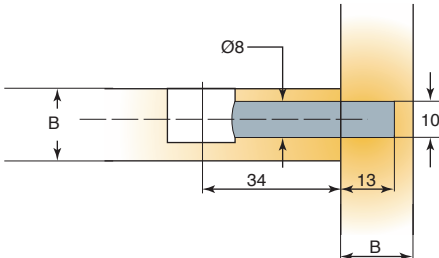


# System 7

## Heavy Duty Ø20mm Cam and Dowel

- Dowel available with Ø10mm eurothread and cam available in Ø20mm for a variety of panel thicknesses
- 'Klix' locking feature provides strong, vibration proof joint
- High strength product that eliminates the need for time consuming metal inserts

 <p>Technical and mounting details</p>	B		 Zinc
Cam Ø20	Panel thickness	Item number	Zinc
  <p>500 Pcs      Made of zinc</p>	18	05409 →	885
  <p>500 Pcs      Made of zinc</p>	18 min	05410 →	885

# System 7

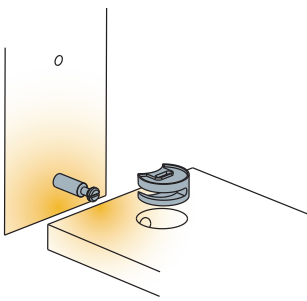
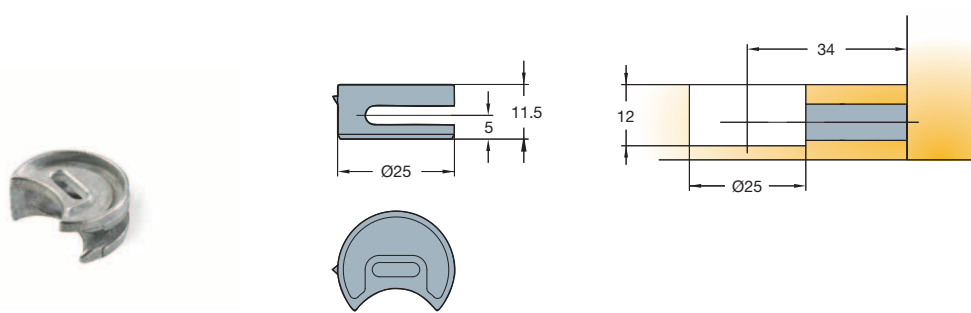
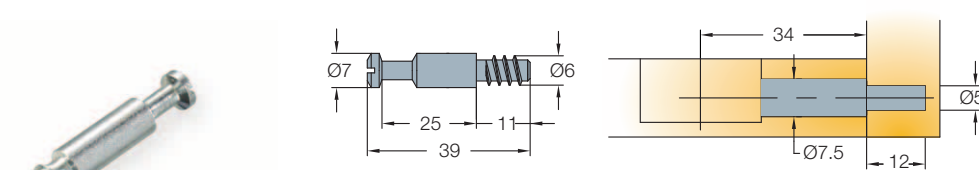
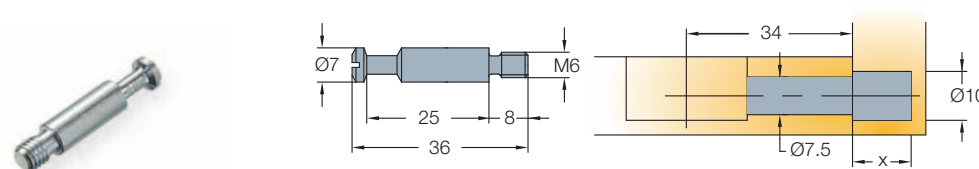

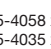
## Heavy Duty Ø25mm

### Cam and Dowel



Cam not compatible with other dowels

- For 13mm and thicker panels
- Cam drilling distance is 34mm
- A flat slot screwdriver must be used for cam tightening
- Decorative cover caps are available in different colours
- Dowel for direct installation in 5mm holes

 <p>Technical and mounting details</p>	Item number	Raw	Zinc plated blue
<p><b>Cam</b></p>  <p>1000 Pcs      Made of zinc</p>	275-3096 →	600	
<p><b>Dowel with euro thread</b></p>  <p>1000 Pcs      Made of steel</p>	275-2209 →		040
<p><b>M6 dowel</b></p>  <p>1000 Pcs      Made of steel</p> <p>  275-4058 x=11   275-4035 x=13         </p>	275-2030 →		040



→ see page 1.63






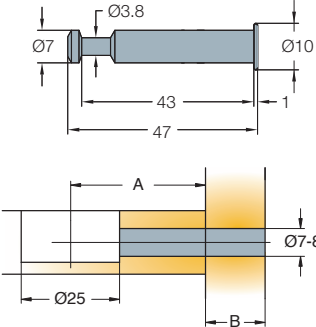

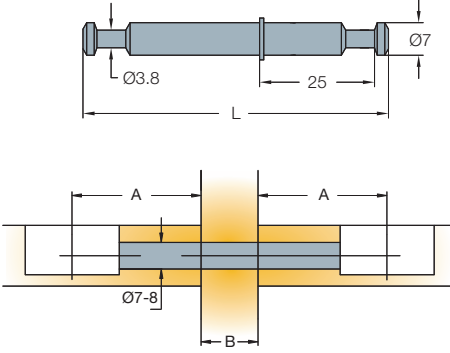

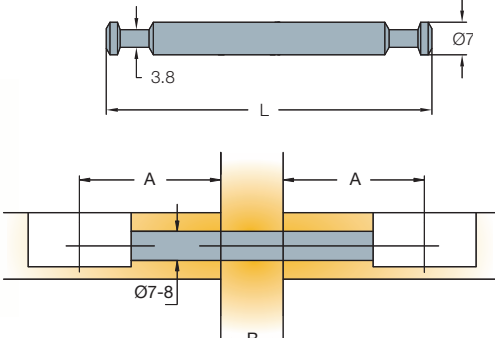
→ see page 1.62

# System 7

## Heavy Duty Dowels



Heavy duty only. Can't be used with other cams.

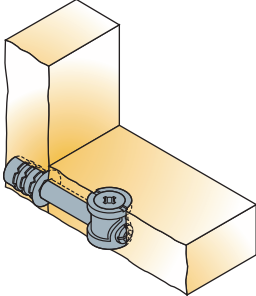




<p>Technical and mounting details</p>	L	A	B	Item number	 Zinc plated blue	 Brass plated black
<p><b>End dowel</b></p>   <p>500 Pcs      Made of steel</p>		52-B		275-2146 →	040	*085
<p>* Available upon special request → see chapter Important Information</p>						
<p><b>Dowel with circlip</b></p>   <p>500 Pcs      Made of steel</p>	76	34	20	275-0103 →	040	
<p><b>Dowel without circlip</b></p>   <p>500 Pcs      Made of steel</p>	74	34	20	275-2057 →	040	
	76	34	18	275-2058 →	040	

# System 7

## High Strength Connectors

### Contract Fix™ System

- High performance fastener
- Thread design gives repeatability
- Multi-drive recess
- Higher than average pull up

 <p>Technical and mounting details</p>	Item number	Zinc plated	Zinc
<p>M6 Dowel 7x34</p>  <p>1000 Pcs      Made of steel</p>	05971 →	883	
<p>Housing cylinder 15x12</p>  <p>1000 Pcs      Made of zinc</p>	05960 →		885
<p>Grub screw</p>  <p>2500 Pcs      Made of zinc</p>	05917 →		885
 <p>Inserts Made of zinc</p> <p>→ see page 1.61</p>			