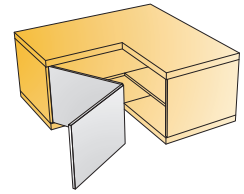


T-type for Pie-cut Corner Cabinet

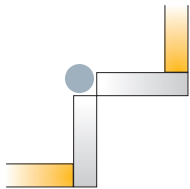
For wood doors



- Opening angle 70°
- Drilling diameter for hinge cup 35mm
- Drilling depth 11mm
- Hinge on plate mounting system 3Way snap-on



Corner cabinet



	Interaxis 45mm	Interaxis 48mm
Cup type	Item number	Item number
	721-0PK0-650	721-0PL0-650
	721-0PK4-650	721-0PL4-650

Drilling patterns for hinge cups → see page 3.15

100 Pcs

Cup made of zinc, arm made of steel

Mounting plates



Cam adjustable cruciform mounting plate
→ see page 3.67

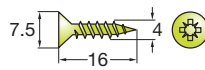


Cruciform mounting plate
→ see page 3.69



Cam adjustable horizontal mounting plate
→ see page 3.67

Hinge cup screws If not pre-mounted



820-6328-050

10000 Pcs

Accessories



Cover caps for hinge arm
→ see page 3.169

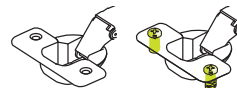


Push latch
→ see page 3.167

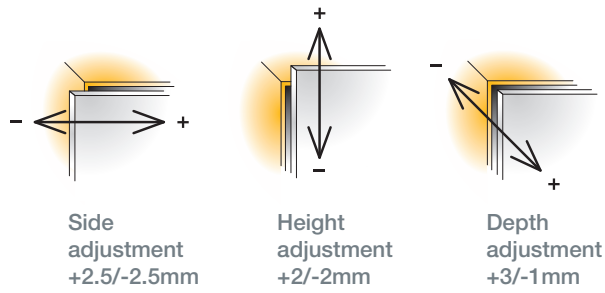
Legend of hinge cup symbols

Screw-on ready
← screws

Easy-fix system

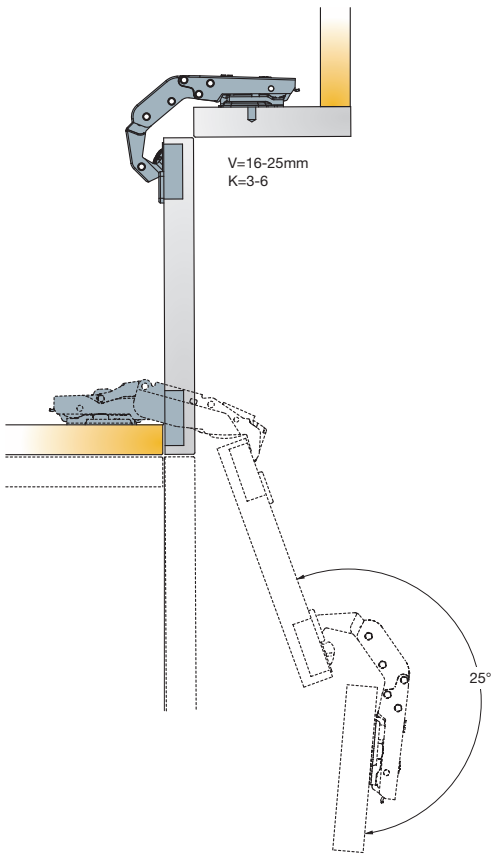


Door adjustment

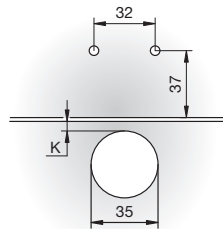


For further explanation → see pages 3.20-3.23

Mounting details

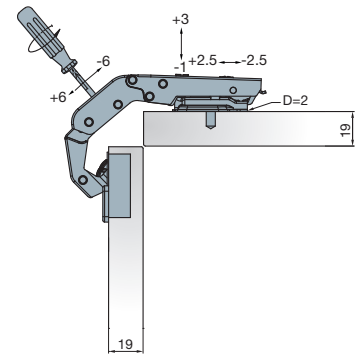


Mounting plate drilling distance



Any T-type mounting plate can be used

Adjustments



The adjustment of the gap between two doors is done by rotating the adjustment screw as shown on the drawing

