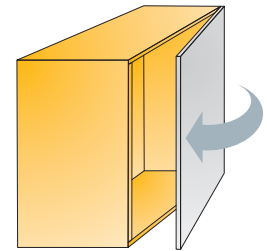
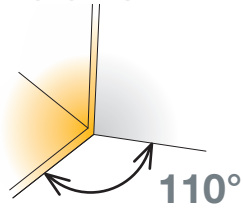


# Glissando TL Glissando TT

## Add-on Hinge Soft Closing Solution

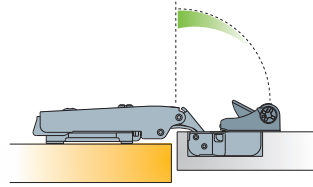
For 110° and 120° hinges



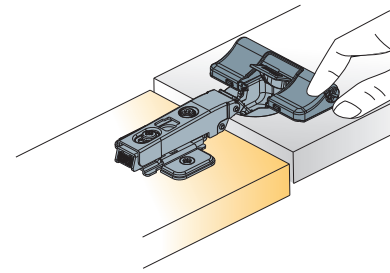
Technical details		Hinge opening angle	Damping force	Interaxis 45mm	Interaxis 48mm
<p>Glissando TT 'snap-on'</p> <ul style="list-style-type: none"> <li>· T-type 110</li> <li>· T-type 120</li> </ul> <p>200 Pcs    Made of steel and plastic</p>		110°, 120°		<p>Item number</p>	<p>Item number</p>
<p>Glissando TL 'snap-on'</p> <ul style="list-style-type: none"> <li>· S-type plus 110</li> <li>· S-type 110</li> <li>· B-type 110</li> </ul> <p>200 Pcs    Made of steel and plastic</p>		110°	<ul style="list-style-type: none"> <li>■ 45N</li> <li>■ 35N</li> <li>■ 60N</li> </ul>	951-0X94-050	951-0P59-050 951-0P63-050

- Same item can be used on all crankings and angled hinges
- Designed to fit the concealed hinge cup and requires no extra space inside the cabinet
- Adjustable damping
- Toolless mounting

Glissando TL



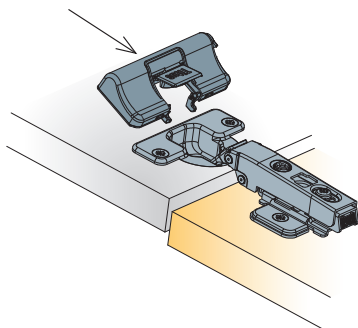
Adjustable damping zone



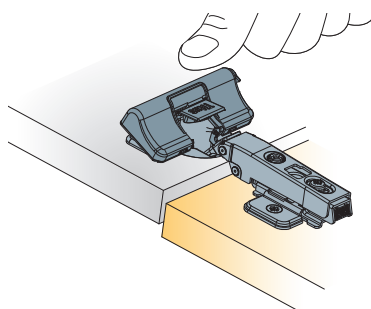
Turn towards '+' to increase and '-' to decrease the damping

Mounting details

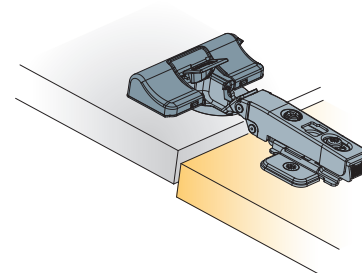
Toolless assembly



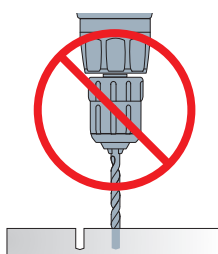
Insert Glissando TL into the holes on the hinge



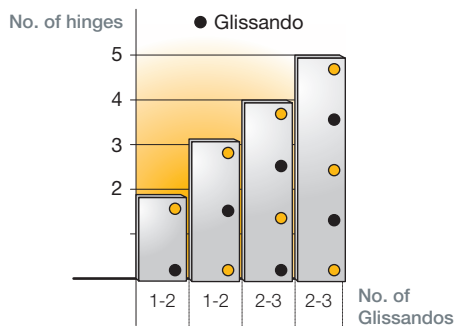
Press down



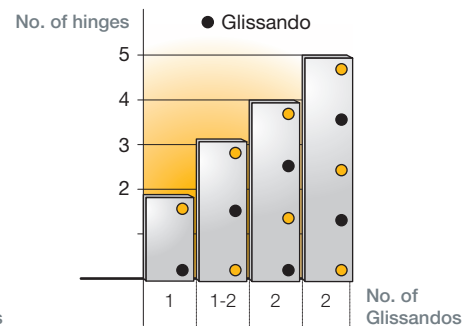
Glissando TT



No additional drilling is required



Glissando TL



Recommended number per door and positioning