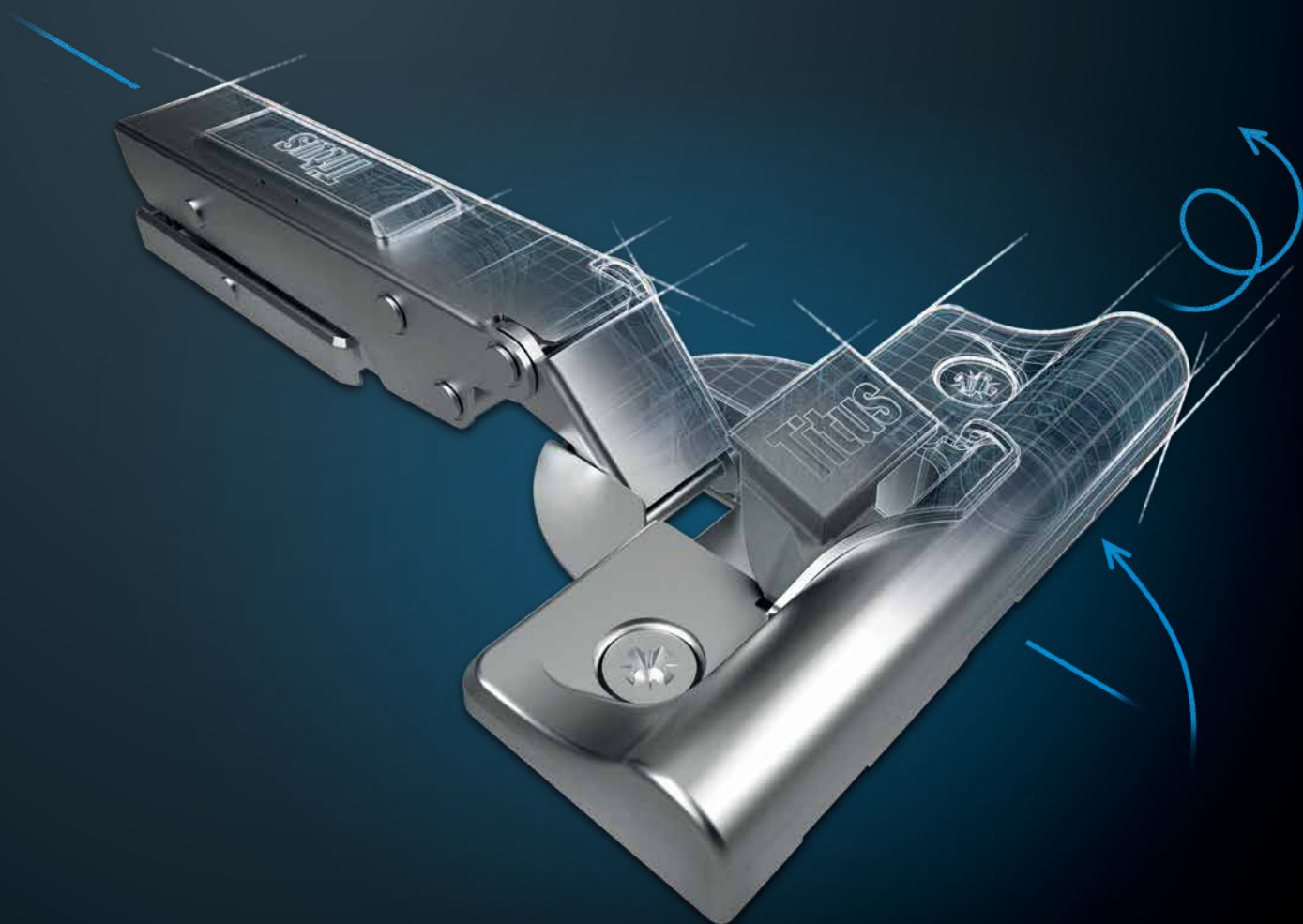


NEW

Titus New Generation Hinge



T-type

- Adjustable damping
- '3Way' snap-on
- Low hinge cup depth
- Highly tolerant

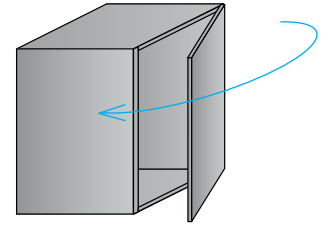
T-type

Titus New Generation Hinge

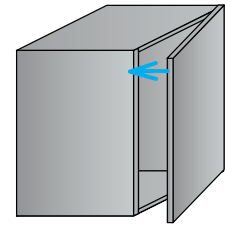
'ConfidentClose'

Fast closing

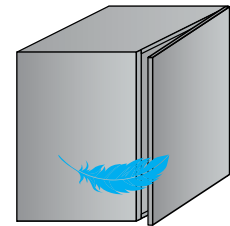
*The hinge is designed to provide consumer preferred way of soft closing action



Late start of deceleration action



Quiet landing with 'SoftTouch'



'Titus Damper Inside'

- Titus proprietary multi-purpose damping technology
- Reliable and consistent life-long damping
- No rebound



Proven concept of soft closing in the hinge cup

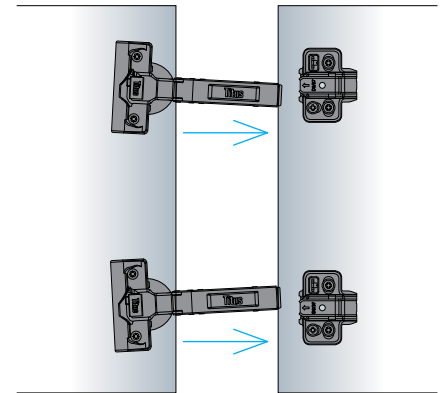
- Damper is positioned transversal on the hinge cup
- Reliable performance



Highly tolerant

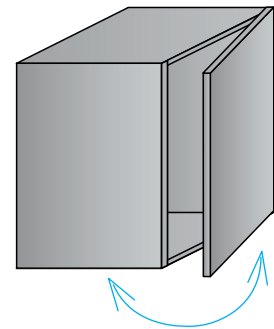
Efficient performance in marginal values of tolerances

- Reliable door closing in case of accidental misalignment
- 'ConfidentClose' assured



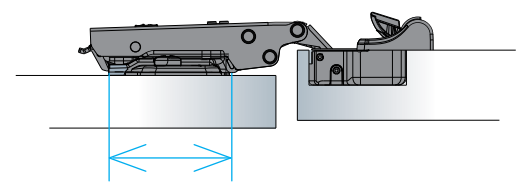
Reliability

- Consistent performance on door of different sizes and weights
- Life-time service



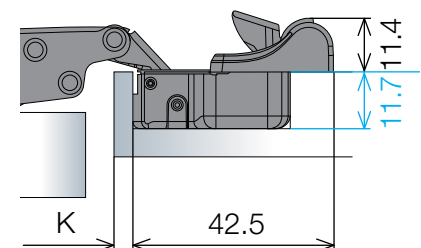
Rigidity

- Hinge-to-plate attachment assures stability and rigidity
- Smooth performance



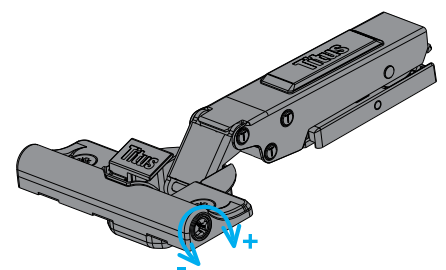
Low hinge cup drilling depth

Enables application on door thick from 15mm on



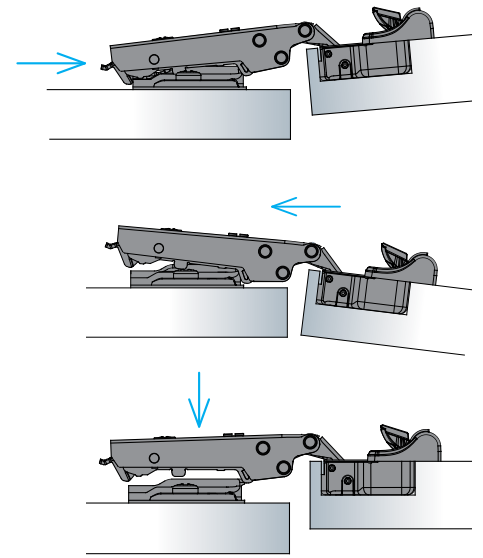
Adjustable damping

- Consistent performance on doors of different dimensions and weights
- Intuitive adjustment procedure



'3Way' snap-on

- Allows for intuitive hinge-to-plate mounting in three directions
- Enhanced mounting experience



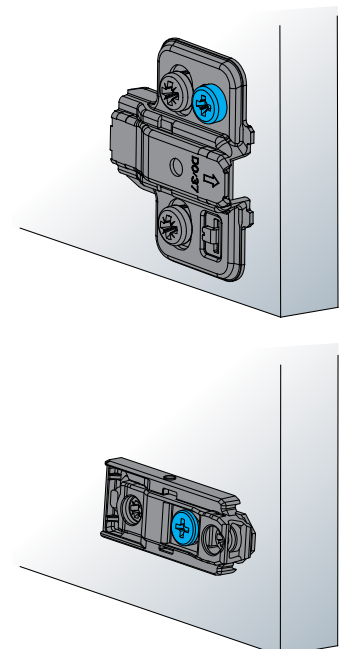
Easy door installation even in cases of 4-5 hinges per door



Cam adjustable mounting plates

Linear and cruciform mounting plates

- Easily accessible height adjustment with cam
- Consumer friendly hinge-to-plate attachment



Sleek design

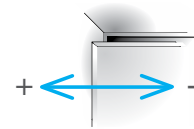
- 3rd Generation Glissando style
- Form follows function



Precise door alignment

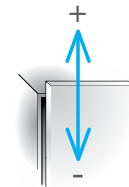
Side adjustment

+3/-1mm



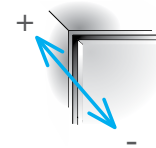
Height adjustment

+2/-2mm



Depth adjustment

+4/-1mm



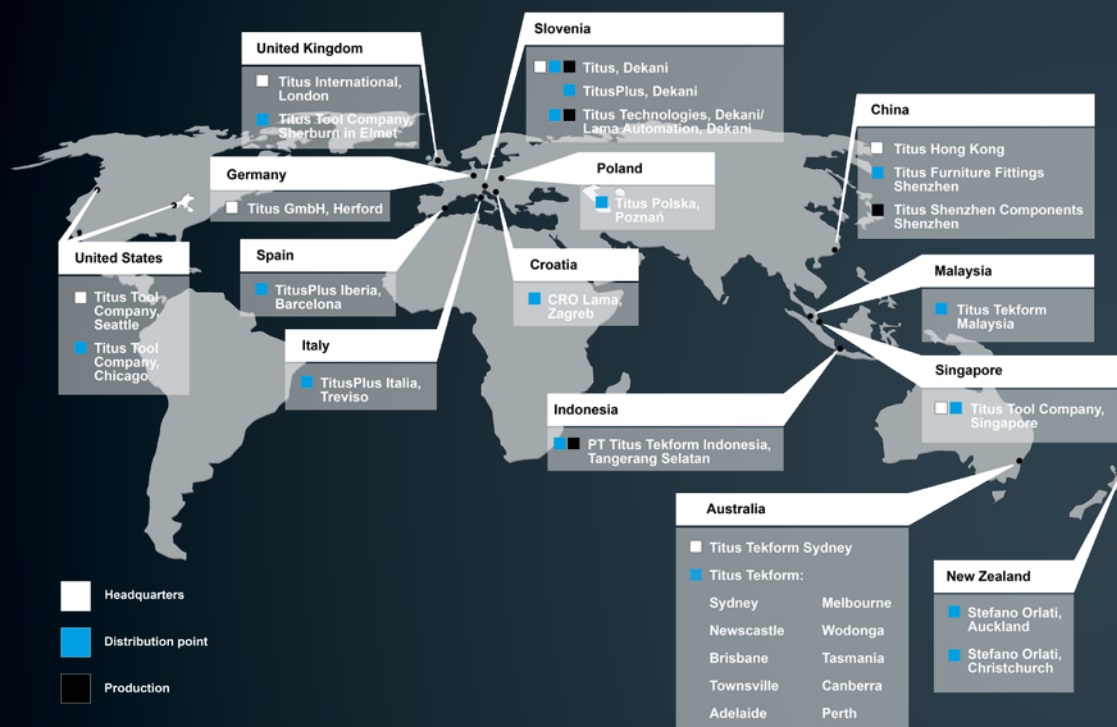
Technical details

T-type hinge

Opening angle	110°, 120°, 170°
Hinge cup drilling depth	12mm
Hinge cup drilling pattern	45/9.5mm, 48/6mm
Hinge constant	13mm
Door Tab K	3-6mm
Maximum overlay	19mm
Hinge arms	full overlay, half overlay, inset corner applications
Fixing	screw-on ready, euro screws, wood screws, dowels for machine insertion, expando dowels, 'EasyFix'

'3Way' mounting plate

Type	cruciform, linear
Height	0-1-2-3-4mm
Fixing	screw-on ready, euro screws, wood screws, dowels for machine insertion, expando dowels



Europe

Titus d.o.o. Dekani

Dekani 5
 SI-6271 Dekani
 Slovenia
 +386 5 6690 213
 +386 5 6690 205 Fax
 info@titusplus.com

Titus Technologies d.o.o.

Dekani 5
 SI-6271 Dekani
 Slovenia
 +386 5 6690 000
 technologies@titusplus.com

Titus Tool Company Ltd.

10 Blackburn Industrial Estate
 Enterprise Way
 Sherburn in Elmet
 LS256NA
 United Kingdom
 +44 1977 682582
 +44 1977 680481 Fax
 uk@titusplus.com

CRO LAMA d.o.o.

Rakitska 10a
 Rakitje
 HR-10437 Bestovje
 Croatia
 +385 1 3323 033
 +385 1 3323 233 Fax
 croatia@titusplus.com

Titus Polska Sp. z o.o.

ul. Stefańskiego 17 A
 PL-62-002 Suchy Las/Poznań
 Poland
 +48 61 811 5402 Phone/Fax
 +48 61 811 5684 Phone/Fax
 +48 61 821 9362
 poland@titusplus.com

TitusPlus Italia S.r.l.

Via Aquileia 9
 Frazione Olmi
 IT-31048 San Biagio di Callalta (TV)
 Italy
 +39 04 221 650 120
 +39 04 221 650 136 Fax
 italia@titusplus.com

TitusPlus Iberia S.L.U.

C/ Luxemburg 16
 ES-08520 Les Franqueses del Valles
 (Barcelona)
 Spain
 +34 938 715 404
 +34 938 605 498 Fax
 iberia@titusplus.com

Titus GmbH, Herford

Lübberlindenweg 12
 DE-32049 Herford
 Germany
 +49 5221 102488-0
 germany@titusplus.com

America

Titus Tool Company Inc.

2800 156th Avenue SE
 Suite 135
 Bellevue, WA 98007
 USA
 +1 800 762 1616 Toll free
 +1 425 746 2080
 +1 425 746 2344 Fax

Titus Tool Co. Inc.

11056 W. Addison Street
 Franklin Park, IL 60131
 USA
 +1 800 762 1616 Toll free
 +1 425 746 2080
 +1 425 746 2344 Fax
 usa@titusplus.com

Australia and New Zealand

Titus Tekform Pty Ltd

83 Jemma Road
 Prestons NSW 2170
 Australia
 +61 2 9286 0007
 +61 2 9826 0074 Fax
 www.titustekform.com.au
 info@titustekform.com.au

Stefano Orlati Ltd

34 Waipareira Avenue
 Henderson
 Auckland
 New Zealand
 +64 9 837 0886
 +64 9 837 8003 Fax
 www.stefano-orlati.co.nz
 stefano-orlati@titusplus.com

Asia

Titus Tool Co. Pte. Ltd.

5004 Ang Mo Kio Ave 5
 Techplace II #04-01
 Singapore 569872
 Singapore
 +65 6383 3922
 +65 6383 3178 Fax
 singapore@titusplus.com

Titus (Shenzhen) Components Co. Ltd.

1st Floor Building No. 2
 Heng Changrong High-tech Industrial
 Park
 ShangNan South Road
 Shangjin Street
 Baoan District Shenzhen Province
 China
 +86 755 8348 0916
 +86 8359 2676 Fax
 china@titusplus.com

Titus Tekform Indonesia, PT

Taman Teknoblok L2 No. 7
 Bumi Serpong Damai Sektor XI
 Indonesia
 +62 21 7587 3578
 +62 21 7587 3574 Fax
 indonesia@titusplus.com

Headquarters

Titus International Ltd
 28 Fitzroy Square
 London
 W1T 6DD
 United Kingdom
 info@titusplus.com

www.titusplus.com
 info@titusplus.com

Titus

info@titusplus.com | www.titusplus.com