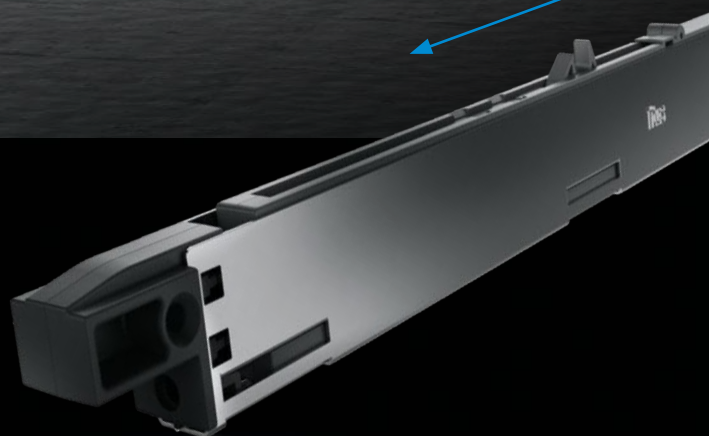


Titus+



Tekform Slimline Tacto

Effortless push opening
for handleless drawers



Engineered for the Needs of the Future

Contemporary open-space and multi-functional furniture design trends signal the importance of smart and efficient utilisation of space. Kitchen manufacturers in particular are expected to provide flexible and innovative solutions to the fast changing needs of an increasingly informed and demanding user.

When asked for a push opening solution, which guarantees reliable opening and closing for drawers, we answered with Tekform Slimline Tacto featuring SoftClose and PushOpen mechanisms all in one.

Effortless



Tekform Slimline drawer

Our drawer system covers two important aspects of the kitchen and bathroom industry: assembly complexity, which facilitates the assembly processes, and utilisation of drawer space, which focuses on the benefits for the end user.

We upgraded the Tekform Slimline drawer with Tacto push opening mechanism, and made sure to stay loyal to the design of the classic Slimline drawer by keeping the drawer dimensions and drilling specifications intact.

By doing so, we kept the best of our drawers which our customers appreciate and expect:

- Thin, 14mm side panels for a sleek and elegant look with efficient utilisation of drawer space
- EasyFix front fixing for a simple, tool-free insertion
- Same panel dimensions and drilling specifications for an easy switch between both drawer options
- Integrated Titus damper with lifelong consistent performance



Quick and easy mounting



One-for-All



Narrow 1.5mm operating gap



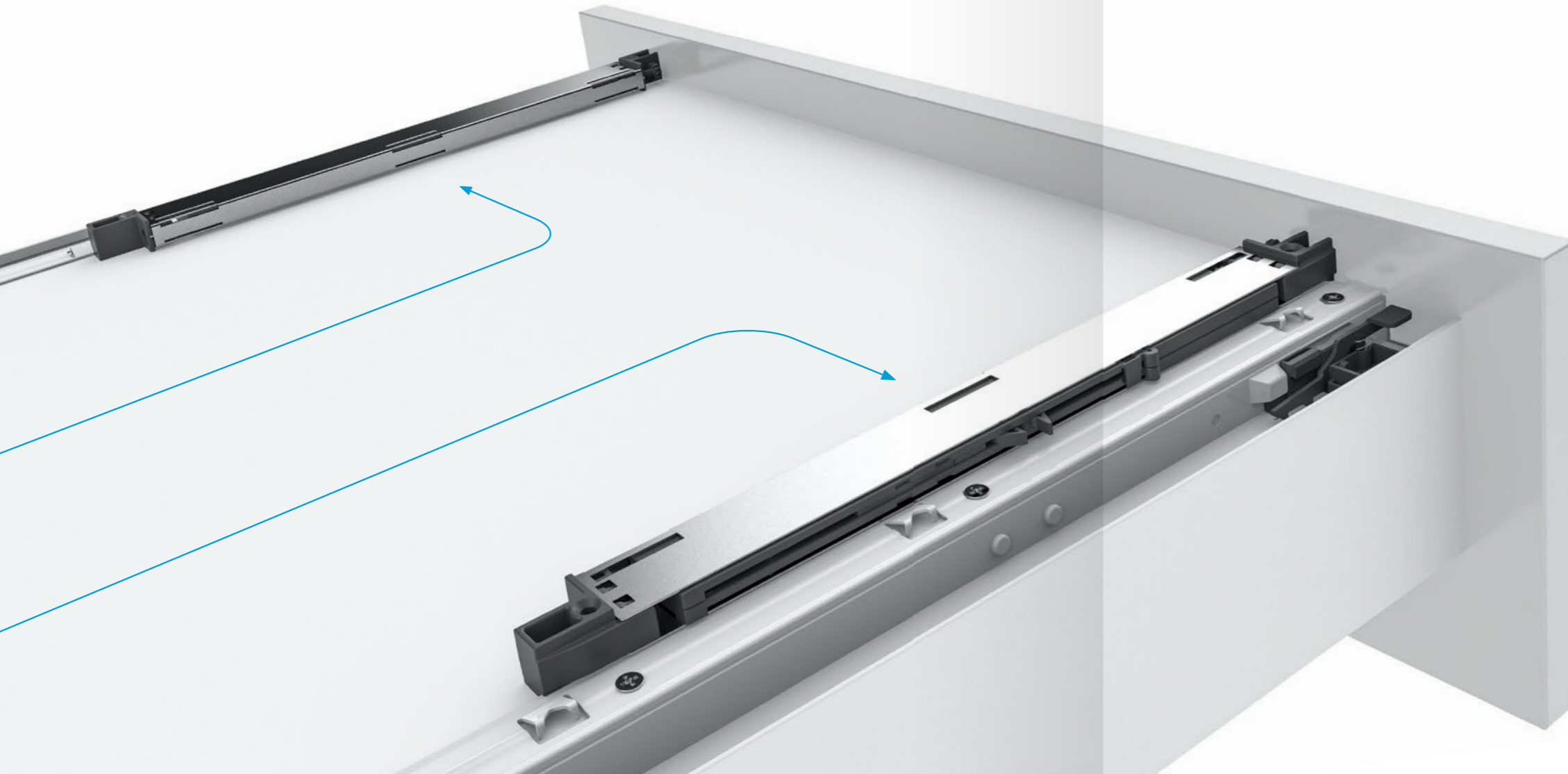
Easy opening, reliable closing



Why Tacto?

The Tekform Slimline drawer is upgraded with Titus handleless push opening system Tacto. With its minimalist design, easy mounting and adjustment functionality, Tacto presents a fit for purpose solution for manufacturers who want to ensure sleek and smooth cabinet front lines for a variety of kitchen and bathroom styles.

Intuitive



Quick and easy mounting

- Intuitive installation of Tacto mechanism without pre-drilling
- Tacto activator is factory-mounted onto the drawer runner, which minimises the assembly complexity and assures precise mounting
- Non-handed design

CAF Quick & Easy

Consumer Assembly Friendliness

Efficient Design



One-for-All

- One item for a wide range of applications
- Low complexity in use
- 400mm minimum drawer length

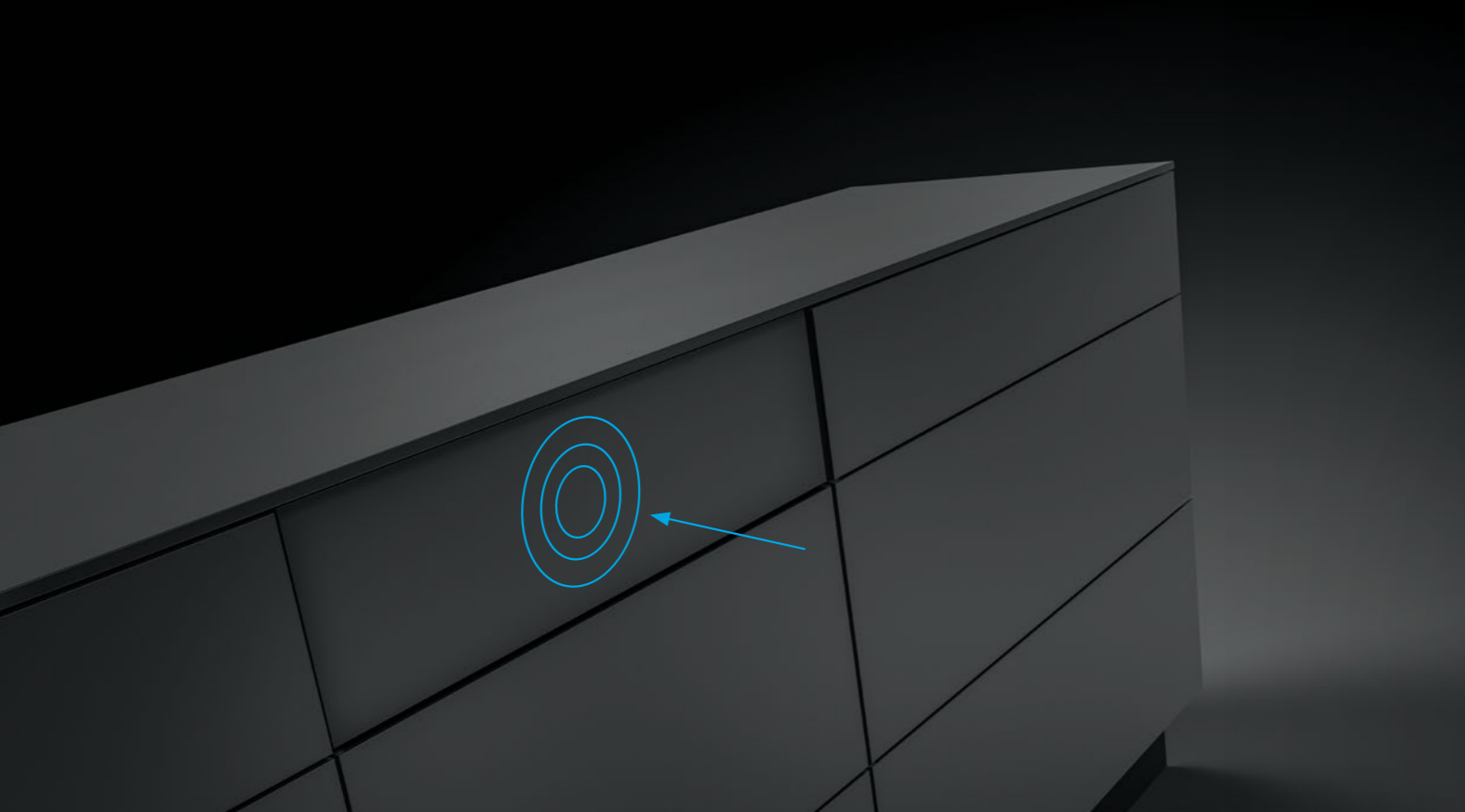


Narrow 1.5mm operating gap

- Integrated depth adjustment for evenly aligned drawer fronts
- Comfortable and consistent drawer opening with a light push
- Enables the sleek design of adjoining furniture pieces

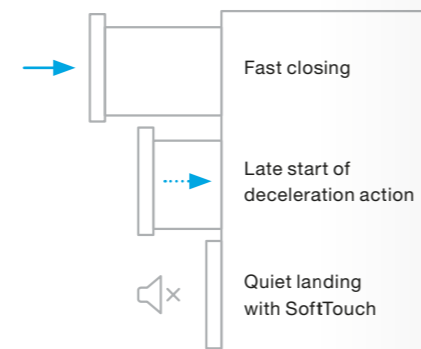
1.5mm





Easy opening, reliable closing

- Easy and reliable opening and closing throughout the product lifetime
- Titus Damper inside
- Silent, reliable, and consistent performance guaranteed at any weight and at any speed



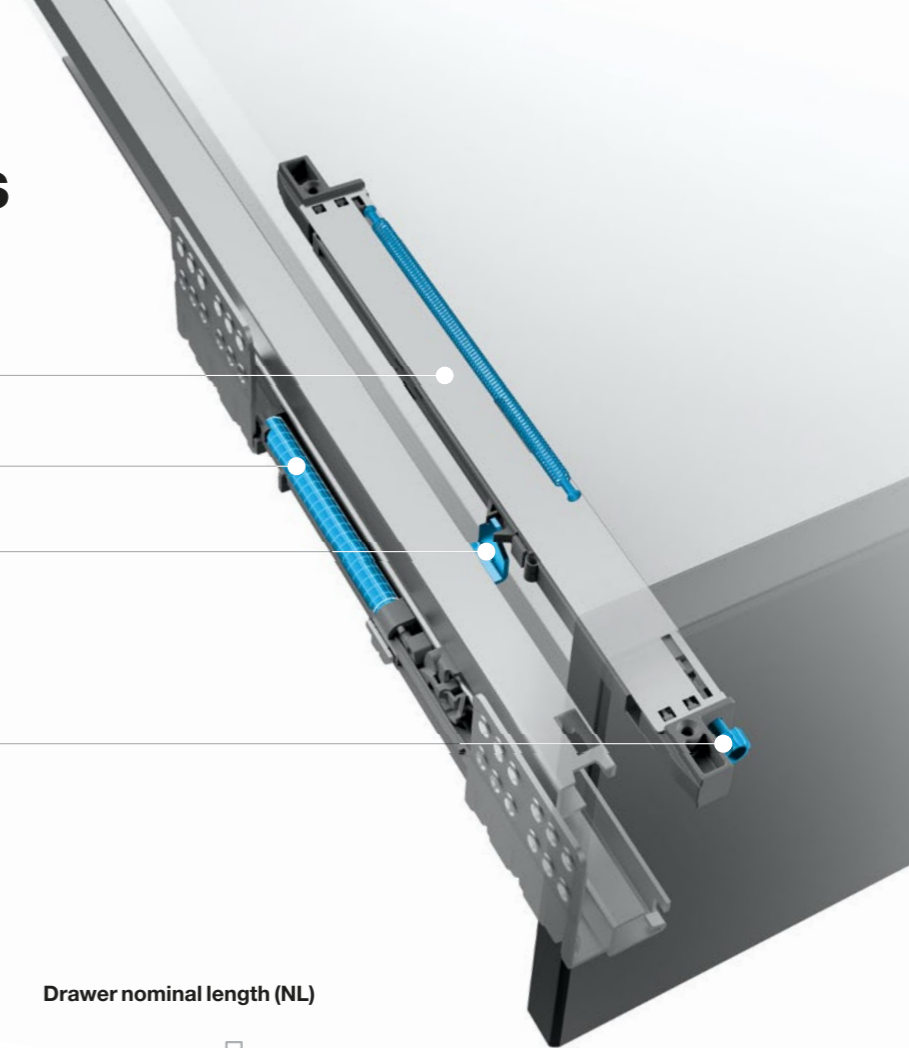
Technical details

Tacto mechanism

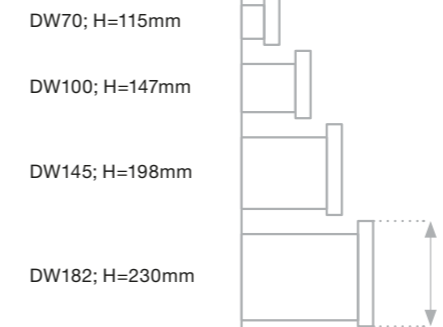
Titus Damper

Integrated activator

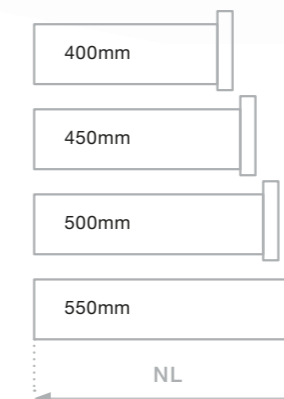
Depth adjustment screw



Min. height required (H)



Drawer nominal length (NL)



Drawer load capacity

Engineered for Purpose

Titus is committed to providing its customers with products and services that improve their competitiveness, while reducing manufacturing and assembly costs.

Titus+

Titus Group / titusplus.com

