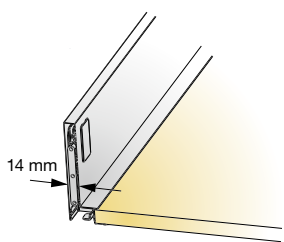
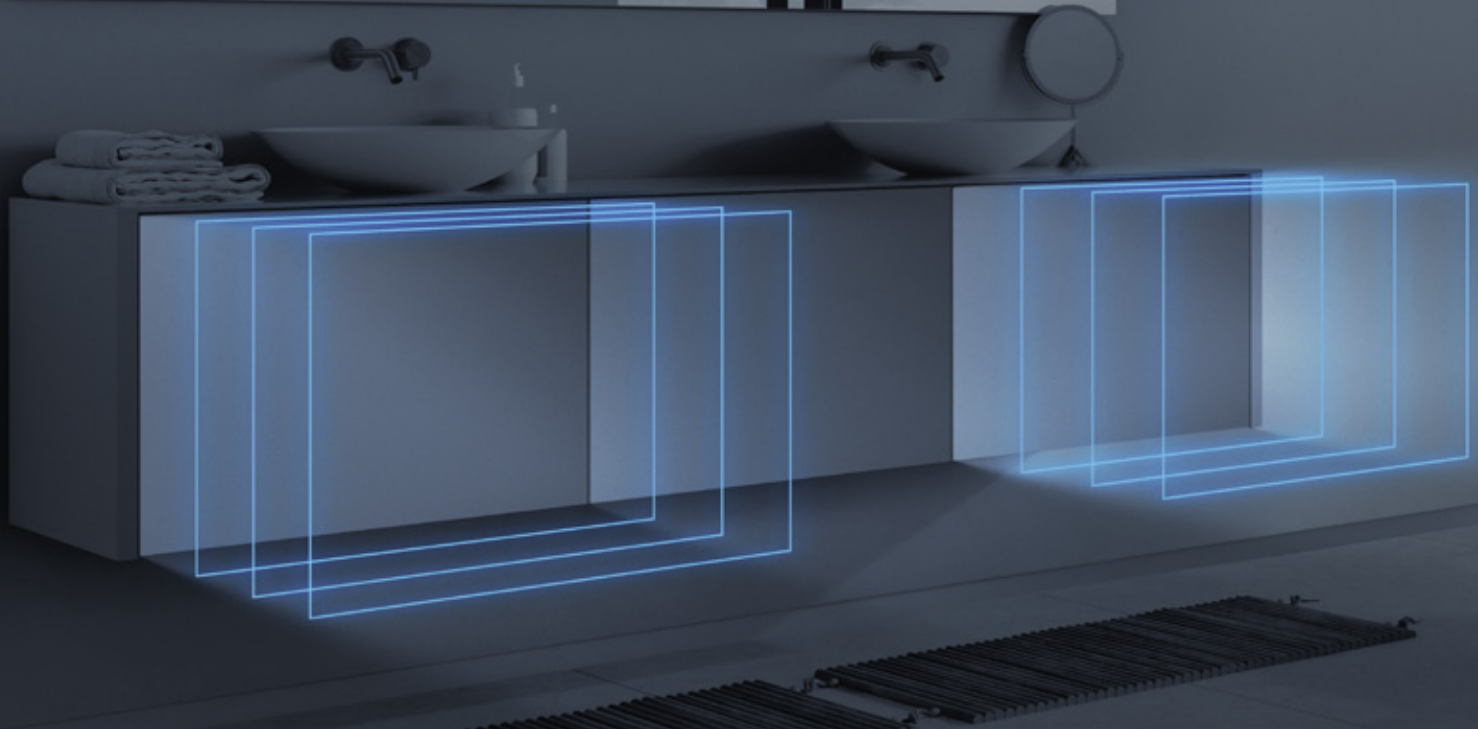


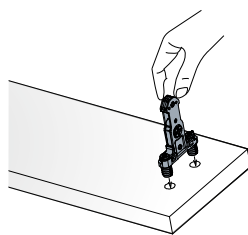
Tekform Slimline Drawer

Tekform Slimline Drawer



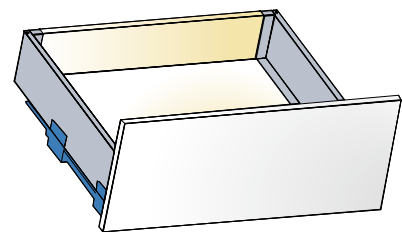
Sleek look

- 14mm side thickness
- Efficient utilisation of drawer space



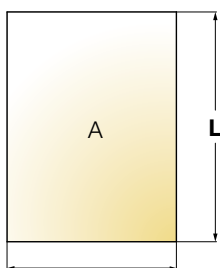
'EasyFix' front panel connector

- Hand insertion
- Quarter turn lock
- Repeatable assembly and disassembly possible



Flexibility in use

- Same runner system as 1st generation Tekform drawer
- Same panel cutting dimensions and drilling specification as 1st generation Tekform drawer



Expanded tolerances

- Precise drawer alignment
- Smooth and silent operating
- Improved drawer stability in open position
- +/-1mm tolerance on bottom panel width size



Titus damper inside

- Life-long consistent soft closing at various closing speeds
- 'ConfidentClose' - fast closing, late start of damping, quiet landing
- Low pull-out force



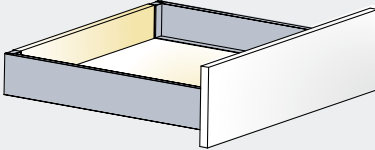
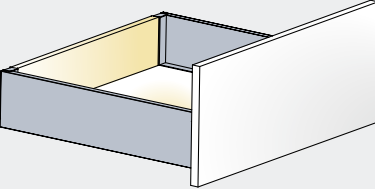
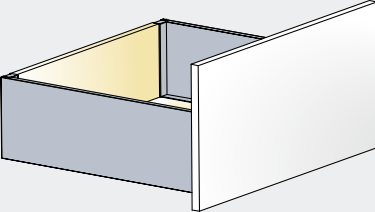
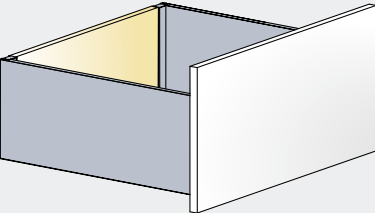
Tekform Slimline Tacto

- For effortless touch opening of Slimline drawer
- Narrow 1.5mm operating gap for evenly aligned fronts
- Fast and intuitive mounting without pre-drilling
- Non-handed design

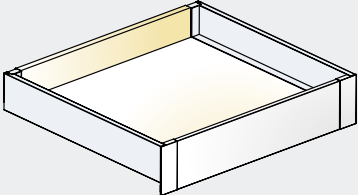
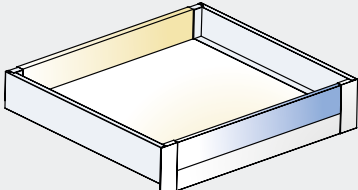
Tekform Slimline Drawer

Product Guide

Page

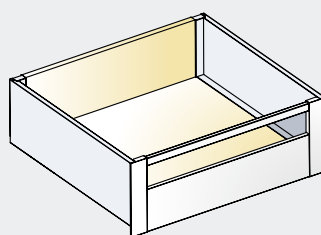
Tekform Slimline Drawer		Side material	Drawer type	
Tekform Slimline drawer DW70		Metal	Soft closing	3.13
		Metal	Touch opening + Soft closing	3.15
		Glass	Soft closing	3.17
Tekform Slimline drawer DW100		Metal	Soft closing	3.19
		Metal	Touch opening + Soft closing	3.21
Tekform Slimline drawer DW145		Metal	Soft closing	3.23
		Metal	Touch opening + Soft closing	3.25
		Glass	Soft closing	3.27
Tekform Slimline drawer DW182		Metal	Soft closing	3.29
		Glass	Touch opening + Soft closing	3.31
		Glass	Soft closing	3.33

Inner Slimline Drawer Fronts

Inner drawer front for Tekform Slimline drawer DW70		3.35
Inner drawer front for Tekform Slimline drawer DW70 with glass		3.37

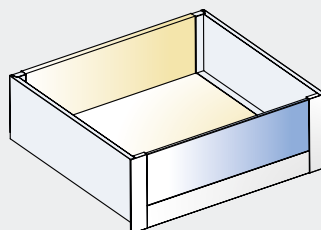
Page

Inner drawer front for
Tekform Slimline Drawer
DW145 with bar



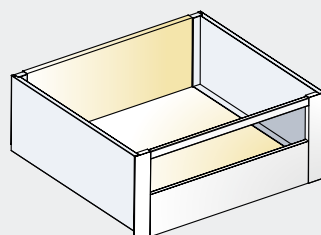
3.39

Inner drawer front for
Tekform Slimline drawer
DW145 with high glass



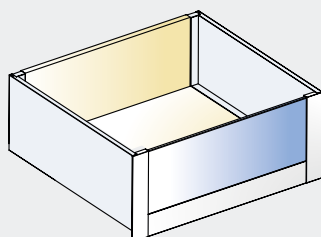
3.41

Inner drawer front for
Tekform Slimline drawer
DW182 with bar



3.43

Inner drawer front for
Tekform Slimline drawer
DW182 with high glass



3.45

Accessories

Tacto Slimline 3.47

Marking jig 3.49

Steel back panel 3.50

Tekform Slimline Drawer Information

Technical Guide

How to choose the appropriate drawer dimension?

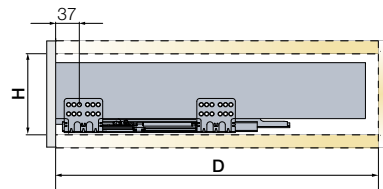
Select the drawer size based on available cabinet space. Please refer to the chart below with indicated minimum space

required in cabinet to choose appropriate drawer system.

Tekform drawer nominal length (NL) inmm

NL	270	300	350	400	450	500	550
----	-----	-----	-----	-----	-----	-----	-----

	Tekform drawer		Tekform drawer with inner front	
	Min. height H required	Cabinet depth D	Min. height H required	Cabinet depth D
Tekform Slimline drawer DW70	115mm	NL + min 3mm	115mm	NL + min 12mm
Tekform Slimline drawer DW100	147mm	NL + min 3mm	/	/
Tekform Slimline drawer DW145	198mm	NL + min 3mm	198mm	NL + min 12mm
Tekform Slimline drawer DW182	230mm	NL + min 3mm	230mm	NL + min 12mm



How to fix drawer sides to the front panel?

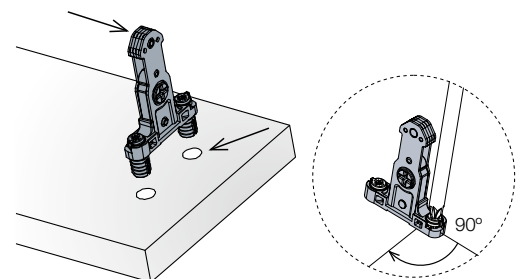
The Tekform drawer is available with 'EasyFix' or screw-in front connectors



'EasyFix' front connector

- hand insertion
- quarter turn locking system
- expandable plastic dowel
- easy assembly and disassembly of front panel

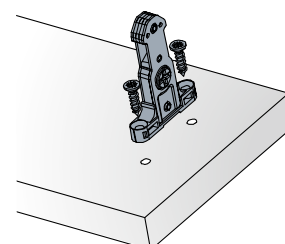
Front connector



Screw-in front connector

- reliable connection
- fixing with Ø3.5x15mm screw (screws are not included)

Front connector



Bottom panel and back panel cutting dimensions

Dimensions of bottom and back panel depends on:

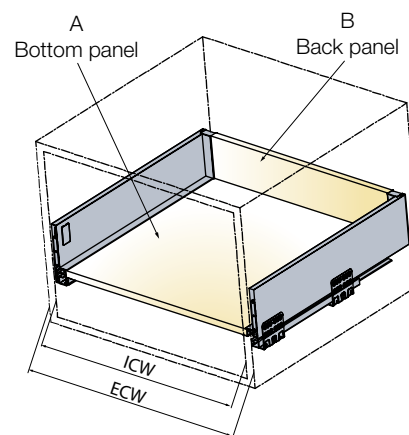
- cabinet width
- nominal drawer length
- drawer height

Tekform drawer nominal length (NL) inmm

NL	270	300	350	400	450	500	550
----	-----	-----	-----	-----	-----	-----	-----

Cabinet width

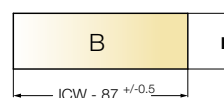
ECW: External cabinet width
ICW: Internal cabinet width
NL: Nominal length of drawer



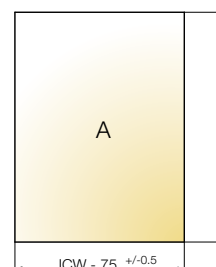
Back panel cutting dimensions

Back panel height depends on the selected drawer height

	H back panel
SDWD70	68
SDWD100	100
SDWD145	151
SDWD182	183



Bottom panel cutting dimensions



NL	270	300	350	400	450	500	550
L	260	290	340	390	440	490	540
L_{st}	250	280	330	380	430	480	530

NL = Tekform drawer nominal length (mm)
L_{st}: Length in case of steel back panel

Tekform Slimline Drawer Information

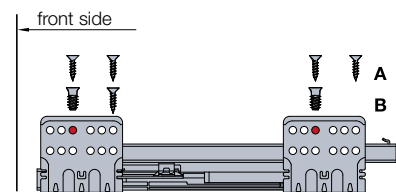
Technical Guide

How to choose the appropriate drawer runner fixing positions?

Drawer fixing positions depend on the chosen drawer front type.

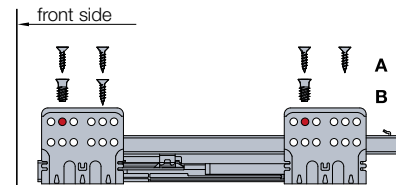
Tekform Slimline drawer with standard front

When a standard drawer front is applied, use the third hole on the drawer runner for fixing.



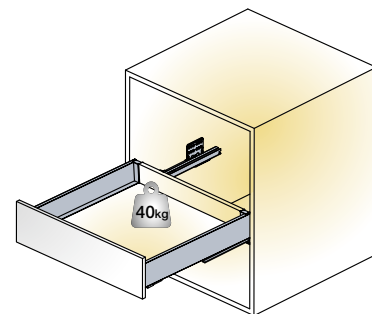
Tekform Slimline drawer with inner front

When an inner drawer front is applied, use the second hole on the drawer runner for fixing.



Load capacity

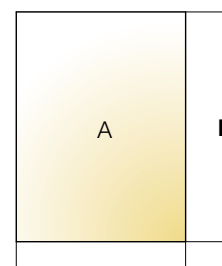
Drawer load capacity is 40 kg.



Expanded tolerances

Tekform drawers provide wider tolerances in cabinet construction and assures:

- precise drawer alignment
- smooth and silent operating
- Improved drawer stability in open position
- Tekform drawer provides tolerance of +/- 1mm on bottom panel width size



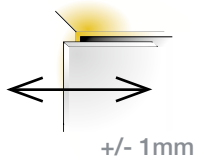
bottom panel width tolerance +/- 1mm



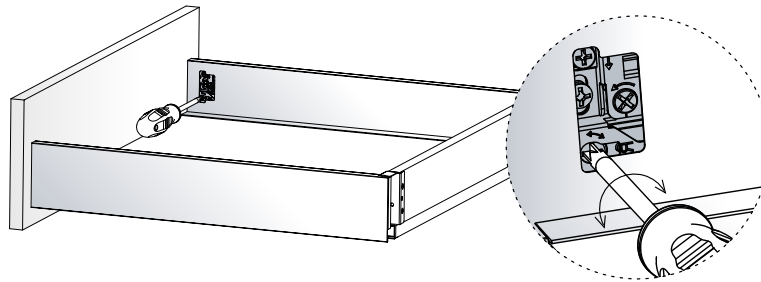
Adjustment needs to be done on both sides of the drawer

Adjustments

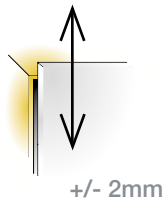
Side adjustment



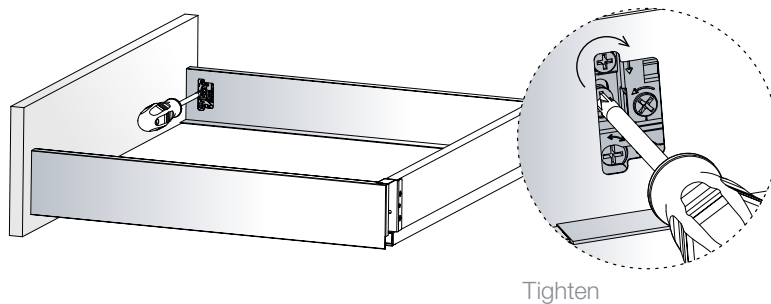
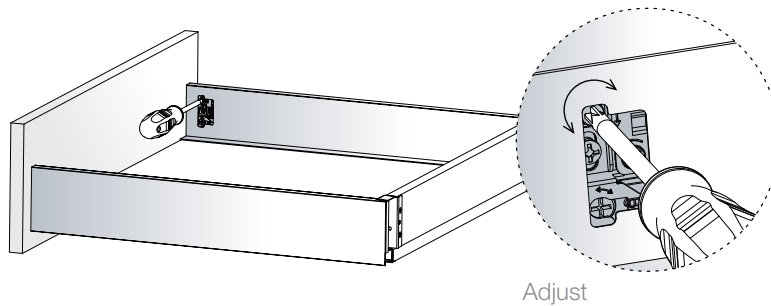
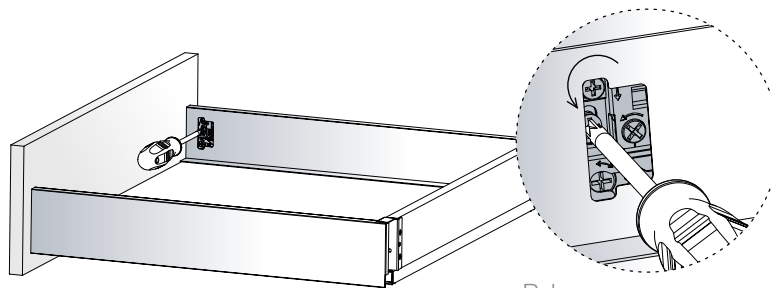
Side adjustment is done through the adjustment screw on the drawer side.



Height adjustment



Release first the locking screw and tighten it back after the front is adjusted.

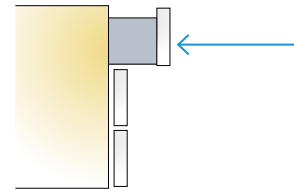


Tekform Slimline Drawer Information

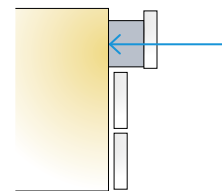
Key Design Choices

'ConfidentClose'

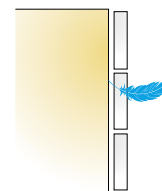
Fast closing



Late start of damping



Quiet landing

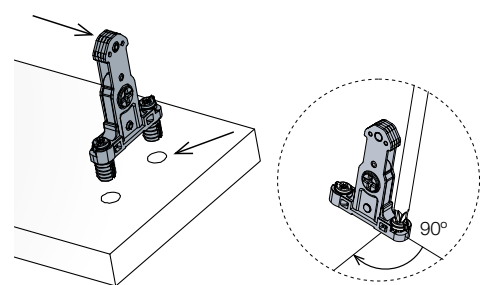


CAF Consumer Assembly Friendliness

'EasyFix' front panel connector with expandable plastic dowel provides:

- Quick, tool-free insertion
- Quarter turn lock
- Repeatable assembly and disassembly

Front connector



Titus hydraulic damper

Designed and produced in-house

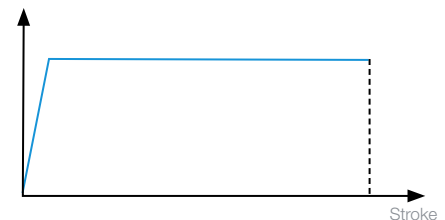
- Reliable and consistent life-long damping
- Smooth closing
- Dampers' consistency over high volume production runs assured
- 100% automated quality check



Damping action

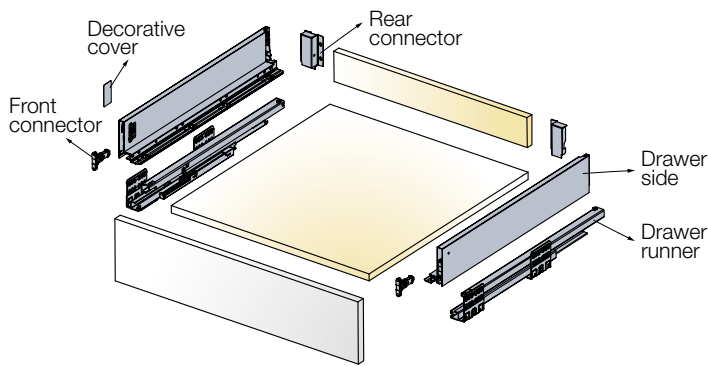
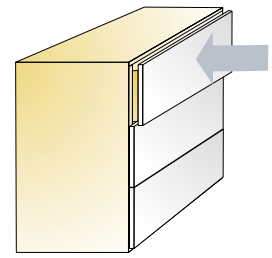
Even and smooth soft closing action
 - Soft and reliable closing

Damping force

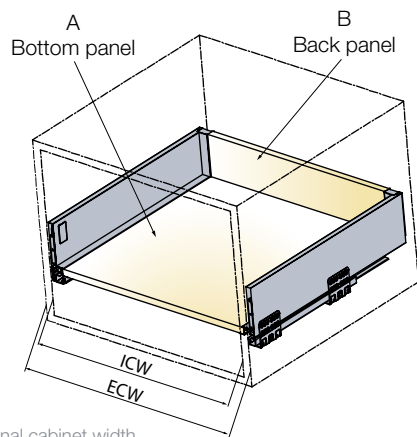


Flat damping curve shows the uniform action produced during damper closing at a defined speed.

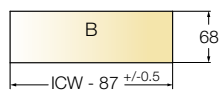
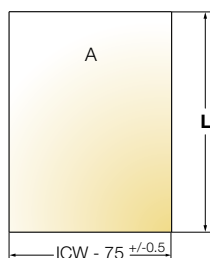
Tekform Slimline Drawer DW70



Cutting dimensions details



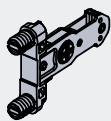
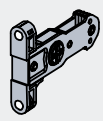






ECW: External cabinet width
 ICW: Internal cabinet width
 NL: Nominal length of drawer
 L_{st} : Length in case of steel back panel



$L = NL - 10$
 $L_{st} = NL - 20$
 For further explanation → see page 3.8



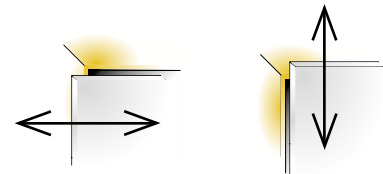
4 sets

NL	with EasyFix front connector	with Screw-in front connector		
			White	Antracite grey
Nominal length (mm)	Item number for a set	Item number for a set		
270	655-8T27 →	655-8E27 →	150	185
300	655-8T30 →	655-8E30 →	150	185
350	655-8T35 →	655-8E35 →	150	185
400	655-8T40 →	655-8E40 →	150	185
450	655-8T45 →	655-8E45 →	150	185
500	655-8T50 →	655-8E50 →	150	185
550	655-8T55 →	655-8E55 →	150	185
One set consists of				
Drawer sides				2 pcs
Drawer runners				2 pcs
*Front connectors				2 pcs
Rear connectors				2 pcs
Covers				2 pcs
				2 pcs
Mounting instructions				1 pc/4 sets

Screws are not included

- Drawer runner type
- Load capacity
- Minimum height space required
- Wooden back panel thickness
- Wooden bottom panel thickness

full extension
40 kg
115mm
16mm
16mm



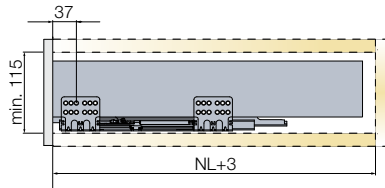
Side adjustment
+1/-1mm

Height adjustment
+2/-2mm

For further explanation → see page 3.10

Installation dimensions

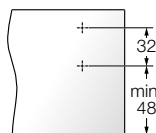
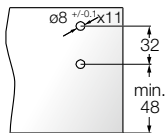
Minimum space required for the cabinet



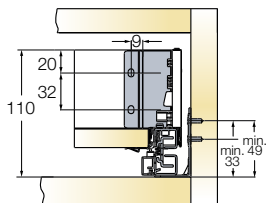
Drilling dimensions for the front panel

EasyFix attachment

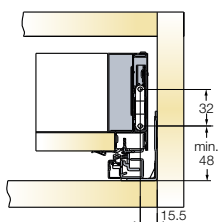
Screw-in attachment



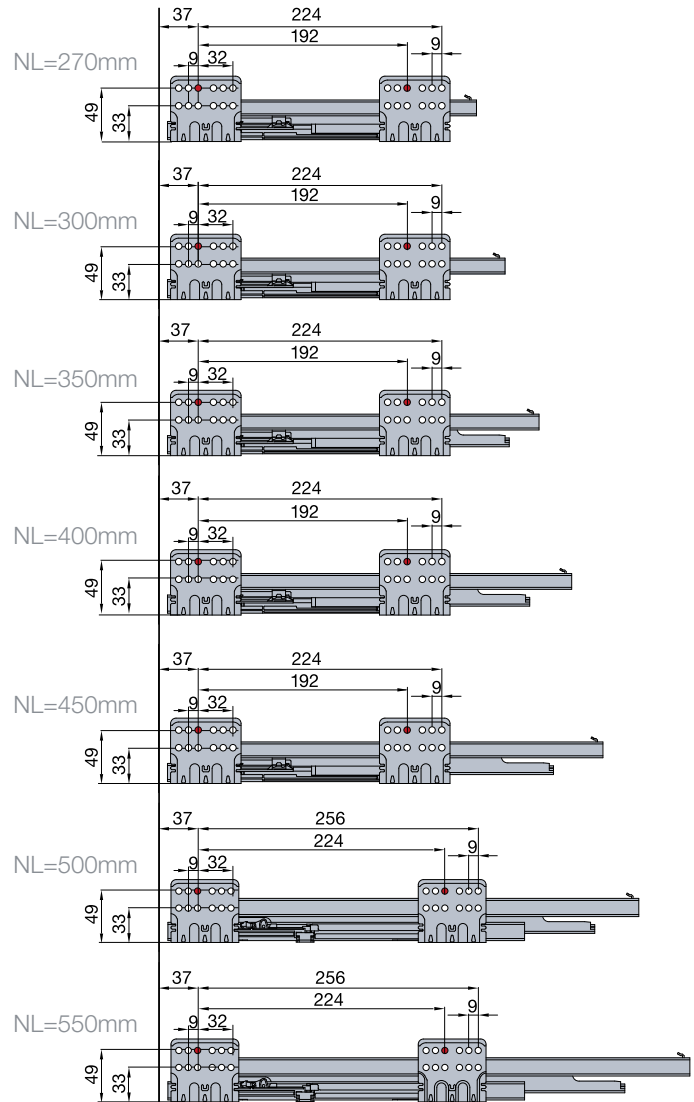
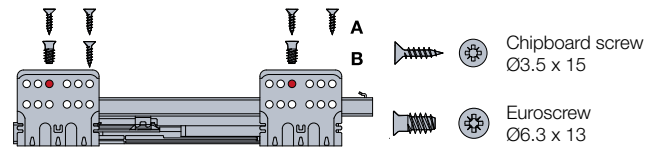
Mounting dimensions for the back panel



Installation dimensions for the front panel



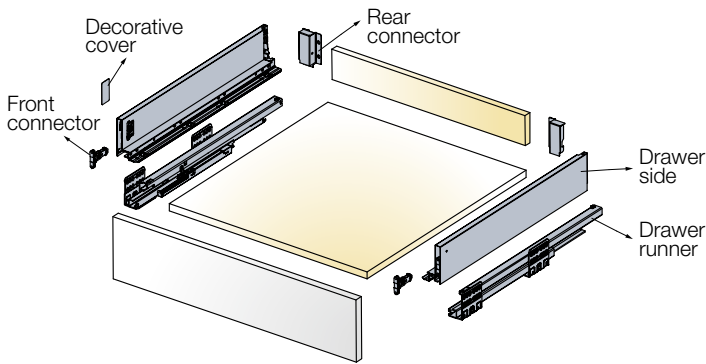
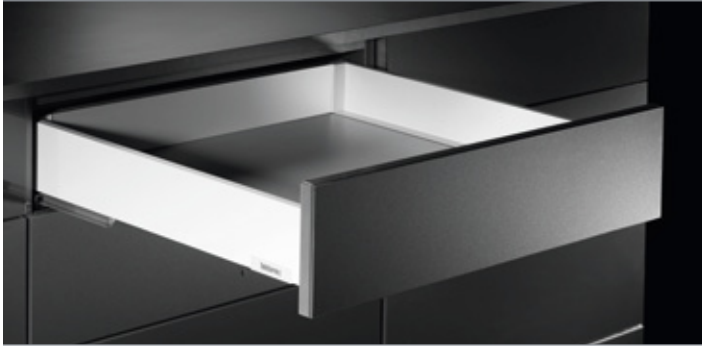
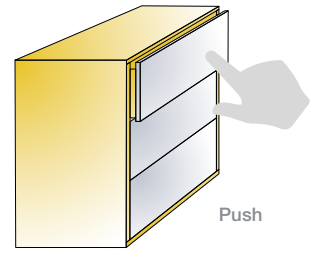
Drawer runner fixing positions



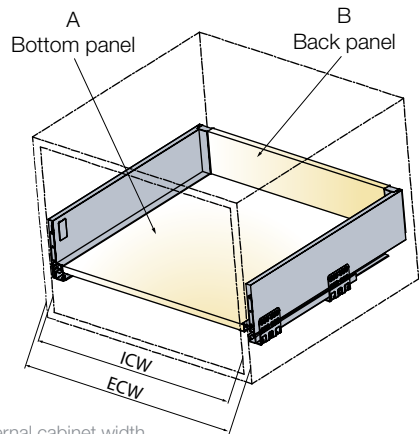
A trial mounting is always recommended.
For further information please contact your
Titus Group representative.

Tekform Slimline Tacto Drawer DW70

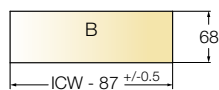
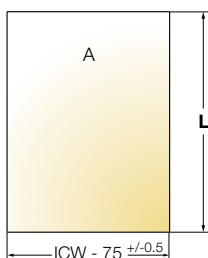
Touch Opening System



Cutting dimensions details

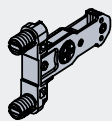
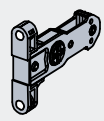








ECW: External cabinet width
 ICW: Internal cabinet width
 NL: Nominal length of drawer
 L_{st}: Length in case of steel back panel



L = NL - 10
 L_{st}: NL - 20
 For further explanation → see page 3.8



NL	with EasyFix front connector	with Screw-in front connector	White
Nominal length (mm)			
	Item number for a set	Item number for a set	
400	655-8T61 →	655-8E61 →	150
450	655-8T62 →	655-8E62 →	150
500	655-8T63 →	655-8E63 →	150
550	655-8T64 →	655-8E64 →	150
One set consists of			
Drawer sides			2 pcs
Drawer runners			2 pcs
*Front connectors			2 pcs
Rear connectors			2 pcs
Covers			2 pcs
			2 pcs
Mounting instructions			1 pc/4 sets

Screws are not included

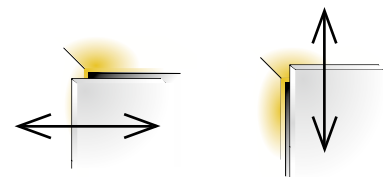
Touch opening



Tacto Slimline Mechanism
 → see page 3.47

- Drawer runner type
- Load capacity
- Minimum height space required
- Wooden back panel thickness
- Wooden bottom panel thickness

full extension
40 kg
115mm
16mm
16mm



Side adjustment
+1/-1mm

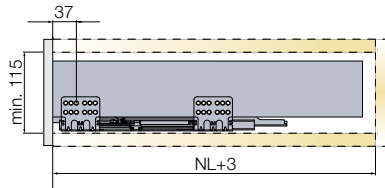
Height adjustment
+2/-2mm

For further explanation → see page 3.10

i Works only with Tacto Slimline Mechanism
→ see page 3.47

Installation dimensions

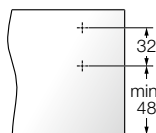
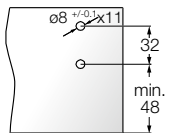
Minimum space required for the cabinet



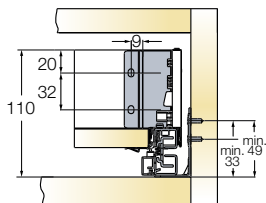
Drilling dimensions for the front panel

EasyFix attachment

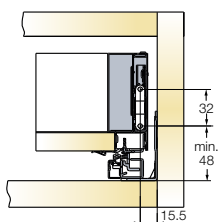
Screw-in attachment



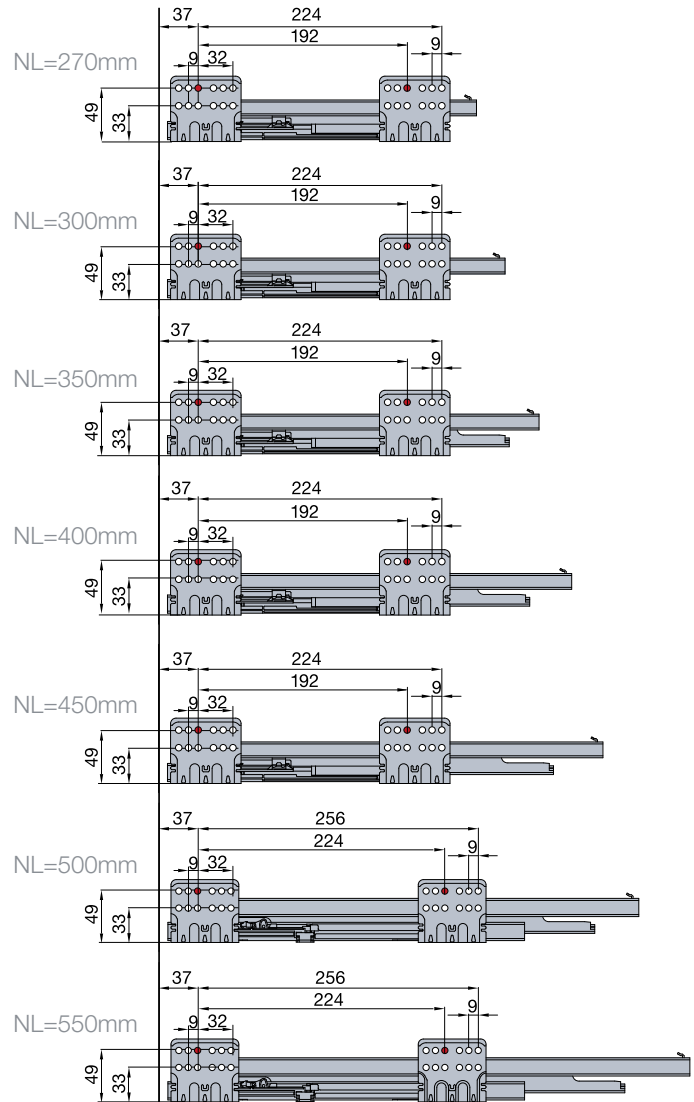
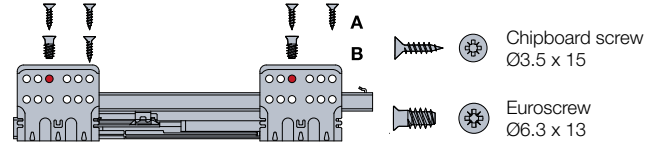
Mounting dimensions for the back panel



Installation dimensions for the front panel

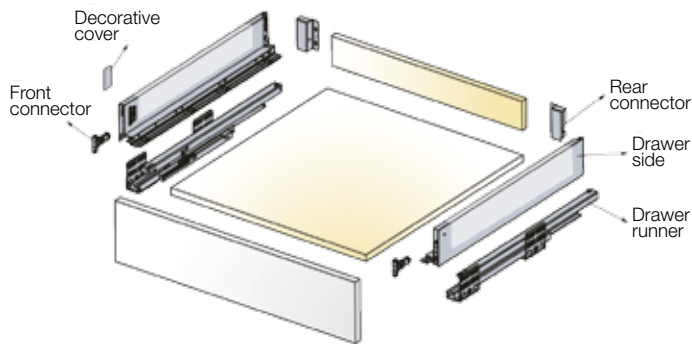
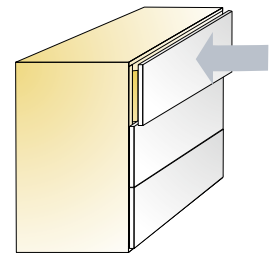


Drawer runner fixing positions

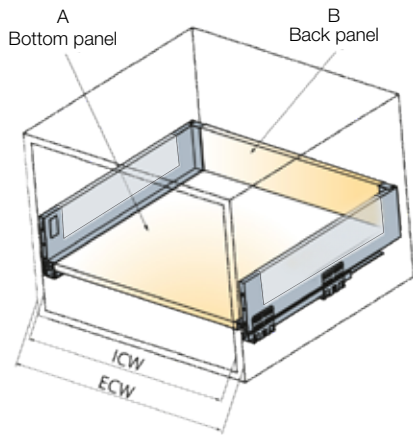


A trial mounting is always recommended.
For further information please contact your Titus Group representative.

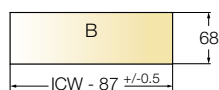
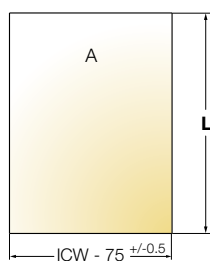
Tekform Slimline Drawer DW70 With Glass Sides



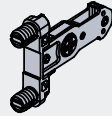
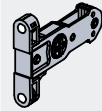






Cutting dimensions details



ECW: External cabinet width
 ICW: Internal cabinet width
 NL: Nominal length of drawer
 L_{st}: Length in case of steel back panel



$L = NL - 10$
 $L_{st} = NL - 20$
 For further explanation → see page 3.8

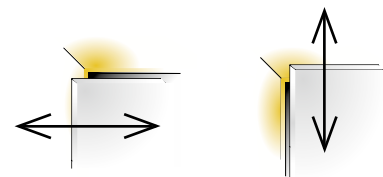
NL	with EasyFix front connector	with Screw-in front connector		
			White + Glass	Antracite grey + Glass
Nominal length (mm)	Item number for a set	Item number for a set		
400	655-7P40 →	655-7U40 →	152	187
450	655-7P45 →	655-7U45 →	152	187
500	655-7P50 →	655-7U50 →	152	187
One set consists of				
	Drawer sides		2 pcs	
	Drawer runners		2 pcs	
	Front connectors		2 pcs	
	Rear connectors		2 pcs	
	Covers		2 pcs 2 pcs	
	Mounting instructions		1 pc/6 sets	

 6 sets

Screws are not included

- Drawer runner type
- Load capacity
- Minimum height space required
- Wooden back panel thickness
- Wooden bottom panel thickness
- Tempered glass sides

full extension
40kg
115mm
16mm
16mm
8mm, transparent



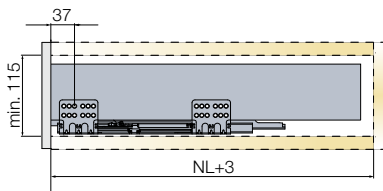
Side adjustment
+1/-1mm

Height adjustment
+2/-2mm

For further explanation → see page 3.10

Installation dimensions

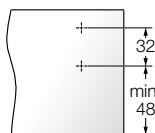
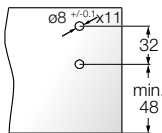
Minimum space required for the cabinet



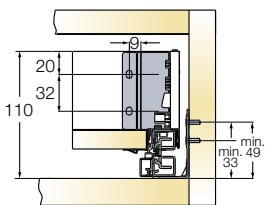
Drilling dimensions for the front panel

EasyFix attachment

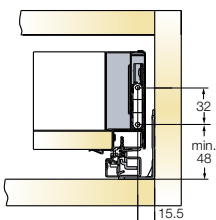
Screw-in attachment



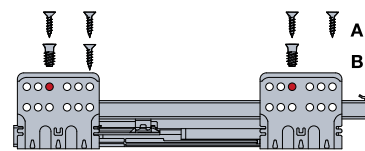
Mounting dimensions for the back panel



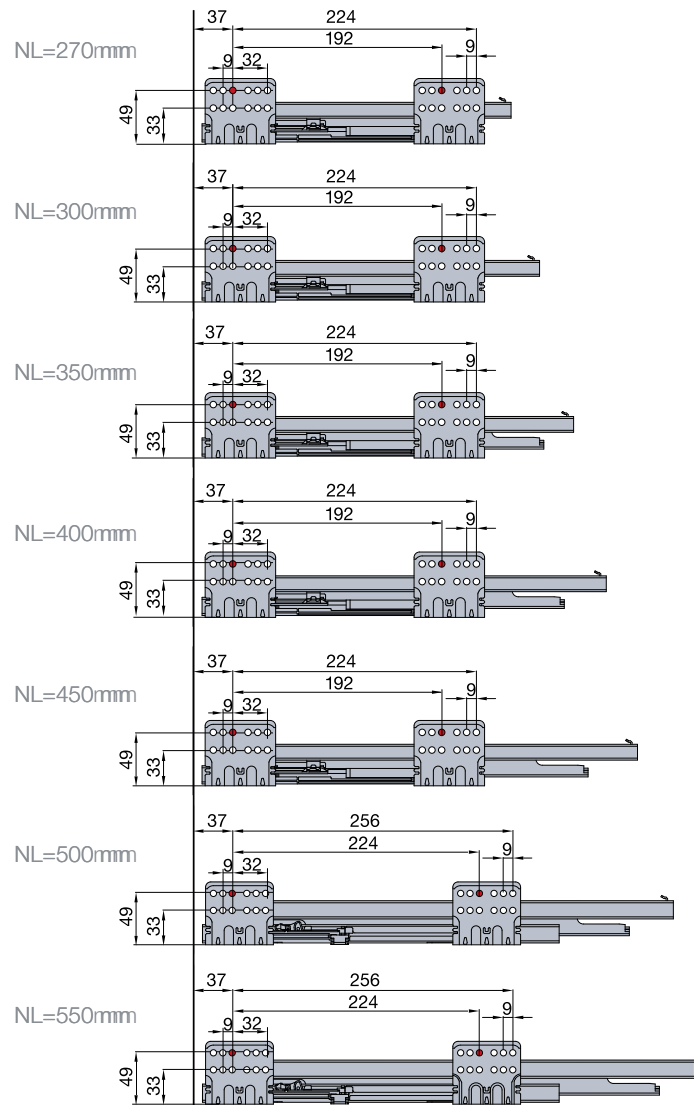
Installation dimensions for the front panel



Drawer runner fixing positions

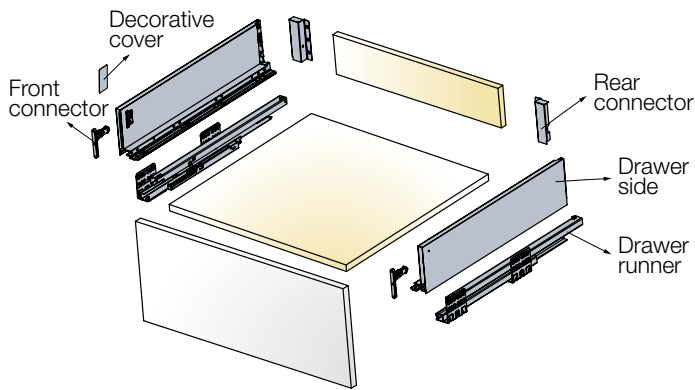
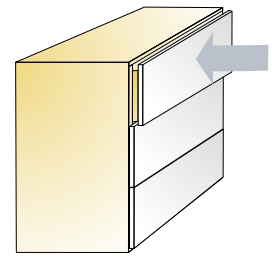


- Chipboard screw
Ø3.5 x 15
- Euro screw
Ø6.3 x 13

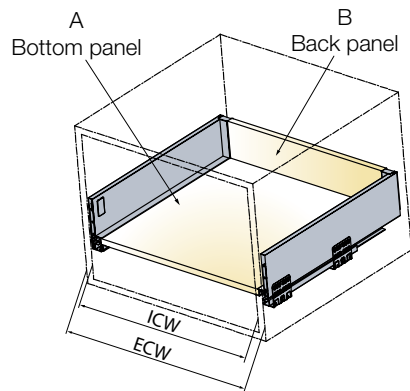


A trial mounting is always recommended.
For further information please contact your
Titus Group representative.

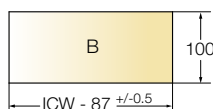
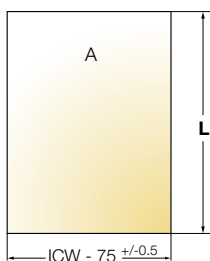
Tekform Slimline Drawer DW100



Cutting dimensions details



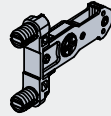
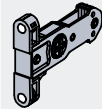






ECW: External cabinet width
ICW: Internal cabinet width
NL: Nominal length of drawer



$L = NL - 10$
For further explanation → see page 3.8



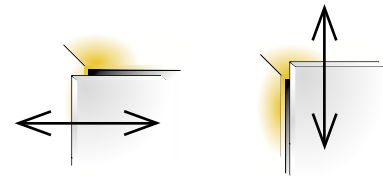
4 sets

NL	with EasyFix front connector	with Screw-in front connector		
Nominal length (mm)			White	Antracite grey
	Item number for a set	Item number for a set		
270	655-8U27 →	655-8F27 →	150	185
300	655-8U30 →	655-8F30 →	150	185
350	655-8U35 →	655-8F35 →	150	185
400	655-8U40 →	655-8F40 →	150	185
450	655-8U45 →	655-8F45 →	150	185
500	655-8U50 →	655-8F50 →	150	185
550	655-8U55 →	655-8F55 →	150	185
One set consists of				
Drawer sides			2 pcs	
Drawer runners			2 pcs	
*Front connectors			2 pcs	
Rear connectors			2 pcs	
Covers			2 pcs	
Mounting instructions			1 pc/4 sets	

Screws are not included

- Drawer runner type
- Load capacity
- Minimum height per drawer required
- Wooden back panel thickness
- Wooden bottom panel thickness

full extension
40 kg
147mm
16mm
16mm



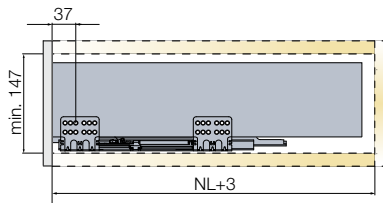
Side adjustment
+1/-1mm

Height adjustment
+2/-2mm

For further explanation → see page 3.10

Installation dimensions

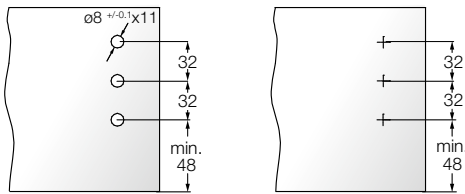
Minimum space required for the cabinet



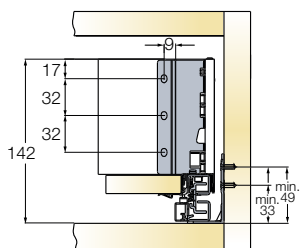
Drilling dimensions for the front panel

EasyFix attachment

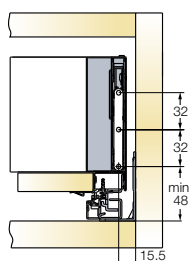
Screw-in attachment



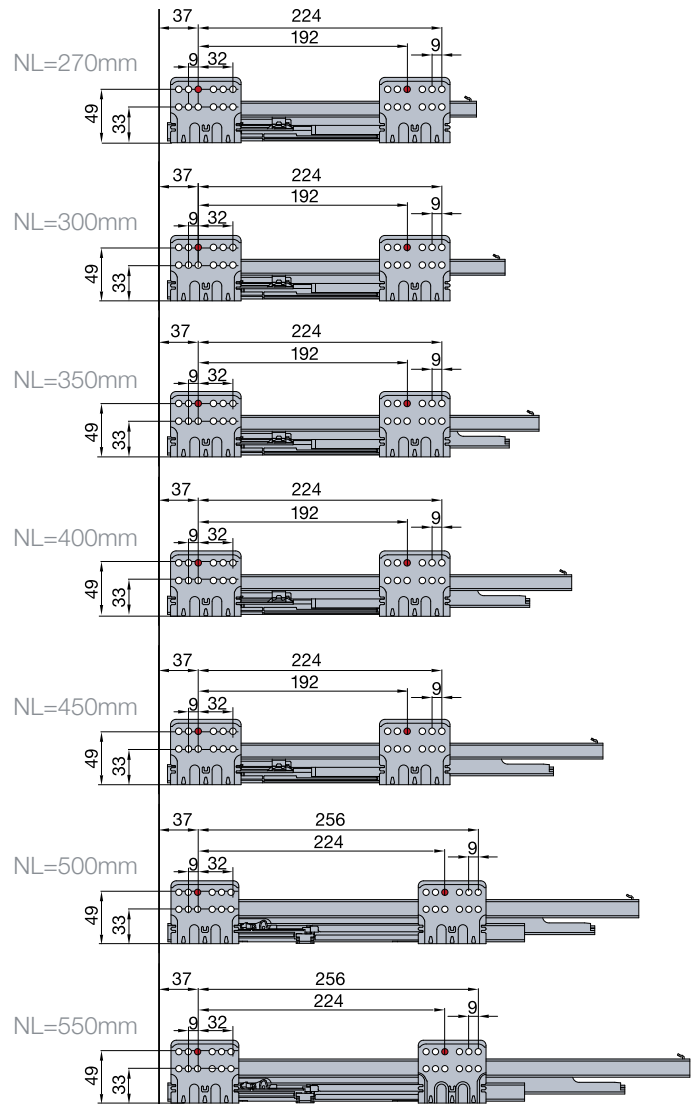
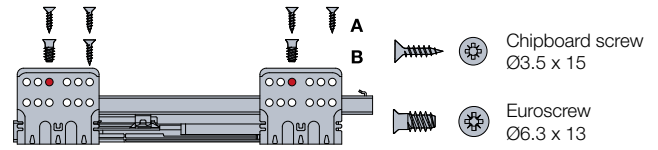
Mounting dimensions for the back panel



Installation dimensions for the front panel

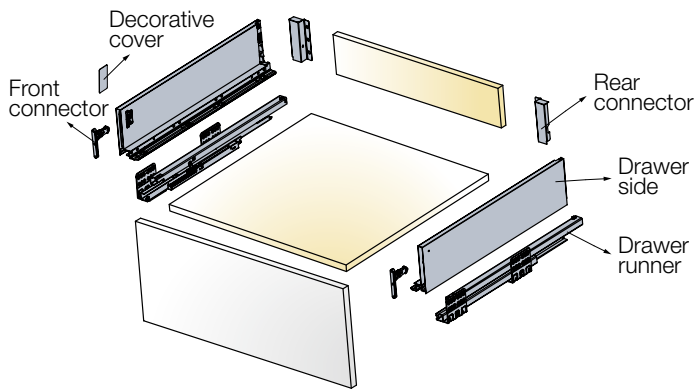
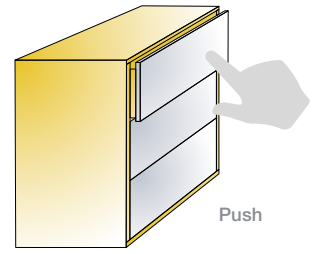


Drawer runner fixing positions

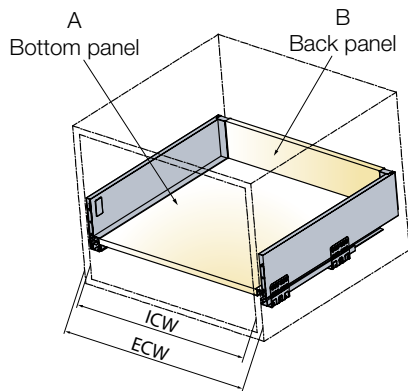


A trial mounting is always recommended.
For further information please contact your
Titus Group representative.

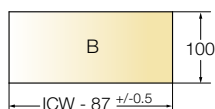
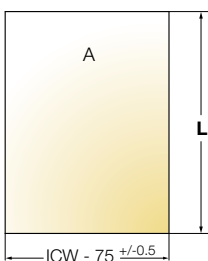
Tekform Slimline Tacto Drawer DW100 Touch Opening System



Cutting dimensions details



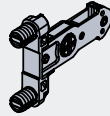
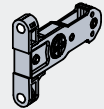






ECW: External cabinet width
ICW: Internal cabinet width
NL: Nominal length of drawer



$L = NL - 10$
For further explanation → see page 3.8



4 sets

NL	with EasyFix front connector	with Screw-in front connector	White
Nominal length (mm)			
	Item number for a set	Item number for a set	
400	655-8U61 →	655-8F61 →	150
450	655-8U62 →	655-8F62 →	150
500	655-8U63 →	655-8F63 →	150
550	655-8U64 →	655-8F64 →	150
One set consists of			
Drawer sides		2 pcs	
Drawer runners		2 pcs	
*Front connectors		2 pcs	
Rear connectors		2 pcs	
Covers		2 pcs 2 pcs	
Mounting instructions		1 pc/4 sets	

Screws are not included

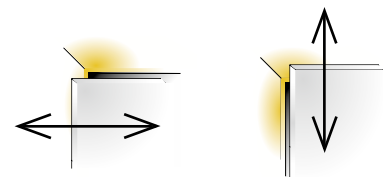
Touch opening



Tacto Slimline Mechanism
→ see page 3.47

- Drawer runner type
- Load capacity
- Minimum height per drawer required
- Wooden back panel thickness
- Wooden bottom panel thickness

full extension
40 kg
147mm
16mm
16mm



Side adjustment
+1/-1mm

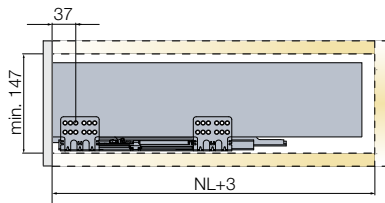
Height adjustment
+2/-2mm

For further explanation → see page 3.10

i Works only with Tacto Slimline Mechanism
→ see page 3.47

Installation dimensions

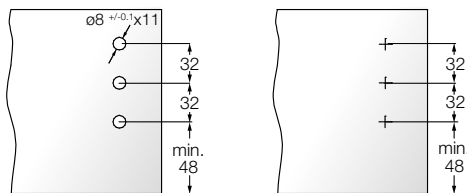
Minimum space required for the cabinet



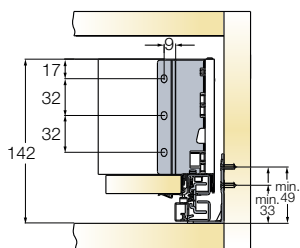
Drilling dimensions for the front panel

EasyFix attachment

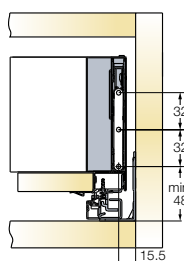
Screw-in attachment



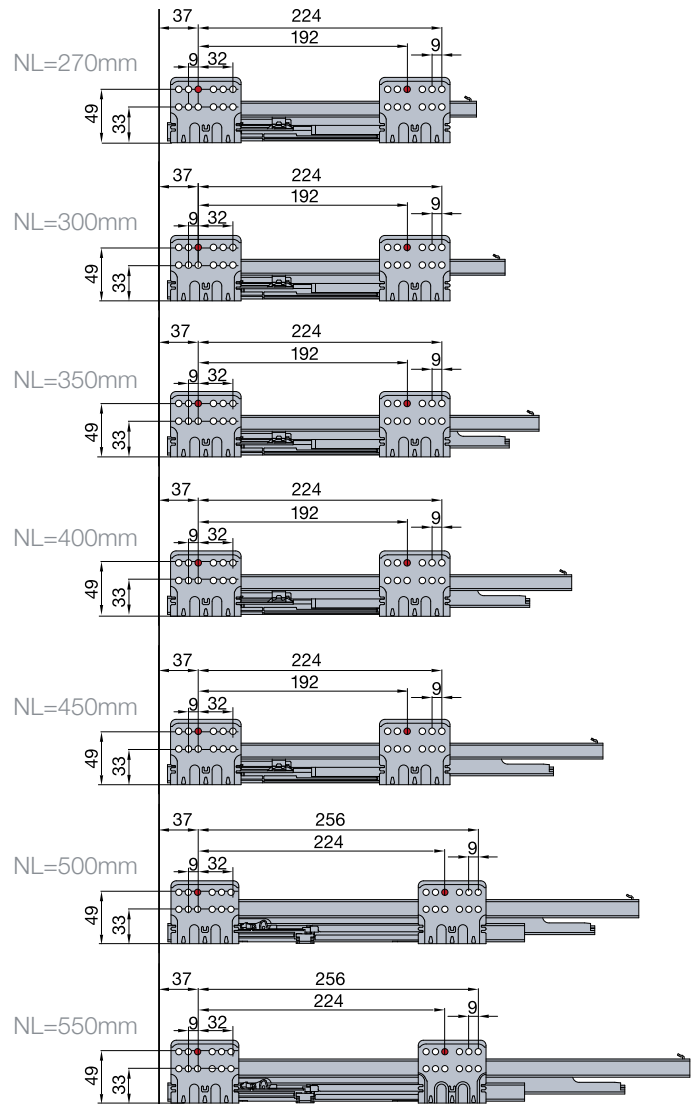
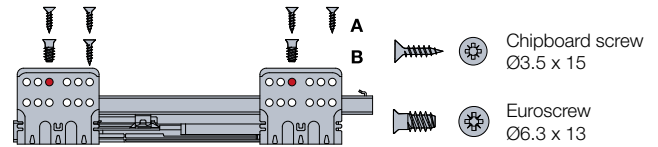
Mounting dimensions for the back panel



Installation dimensions for the front panel

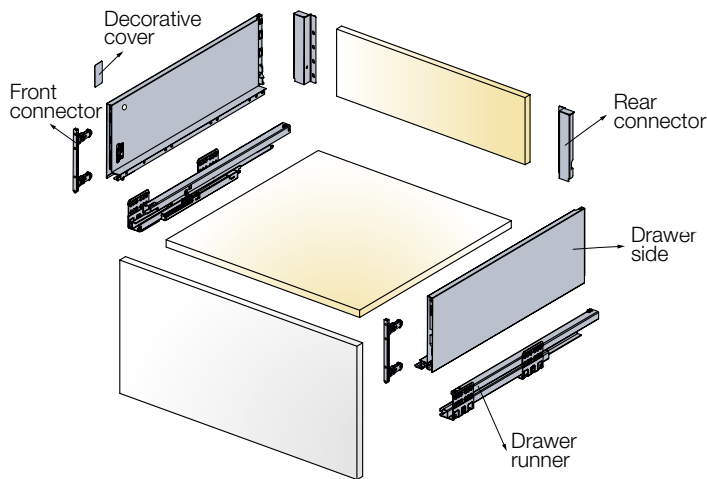
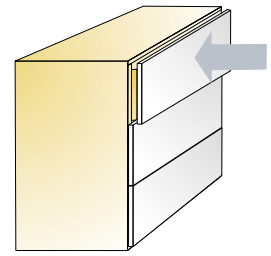


Drawer runner fixing positions

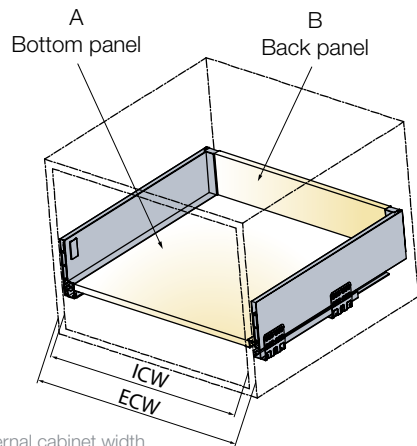


A trial mounting is always recommended.
For further information please contact your Titus Group representative.

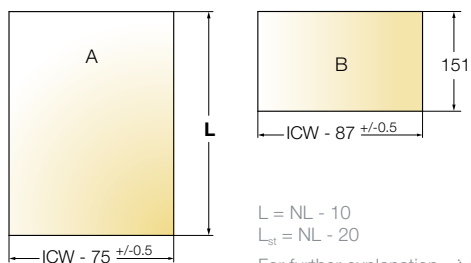
Tekform Slimline Drawer DW145



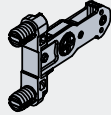
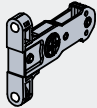







Cutting dimensions details



ECW: External cabinet width
 ICW: Internal cabinet width
 NL: Nominal length of drawer
 L_{st} : Length in case of steel back panel



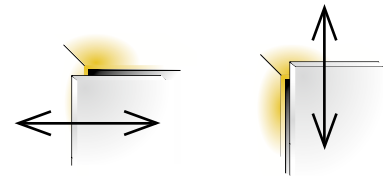
 4 sets

NL	with EasyFix front connector	with Screw-in front connector		
Nominal length (mm)				
	Item number for a set	Item number for a set	White	Antracite grey + Glass
270	655-8V27 →	655-8G27 →	150	187
300	655-8V30 →	655-8G30 →	150	187
350	655-8V35 →	655-8G35 →	150	187
400	655-8V40 →	655-8G40 →	150	187
450	655-8V45 →	655-8G45 →	150	187
500	655-8V50 →	655-8G50 →	150	187
550	655-8V55 →	655-8G55 →	150	187
One set consists of				
Drawer sides				2 pcs
Drawer runners				2 pcs
*Front connectors				2 pcs
Rear connectors				2 pcs
Covers				2 pcs 2 pcs
Mounting instructions				1 pc/4 sets

Screws are not included

- Drawer runner type
- Load capacity
- Minimum height per drawer required
- Wooden back panel thickness
- Wooden bottom panel thickness

full extension
40 kg
198mm
16mm
16mm



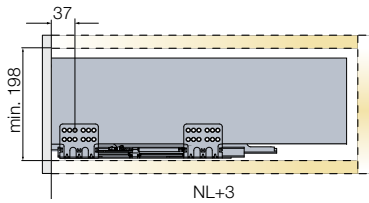
Side adjustment
+1/-1mm

Height adjustment
+2/-2mm

For further explanation → see page 3.10

Installation dimensions

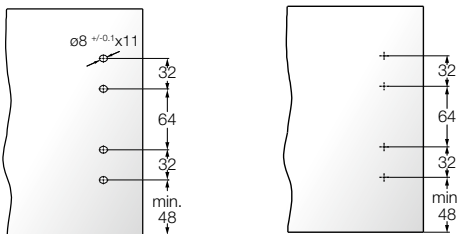
Minimum space required for the cabinet



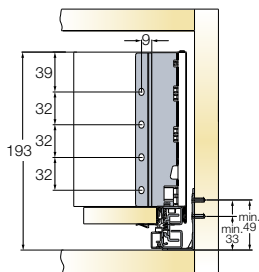
Drilling dimensions for the front panel

EasyFix attachment

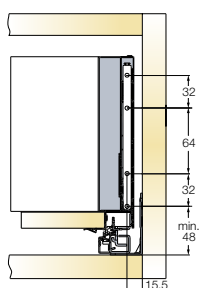
Screw-in attachment



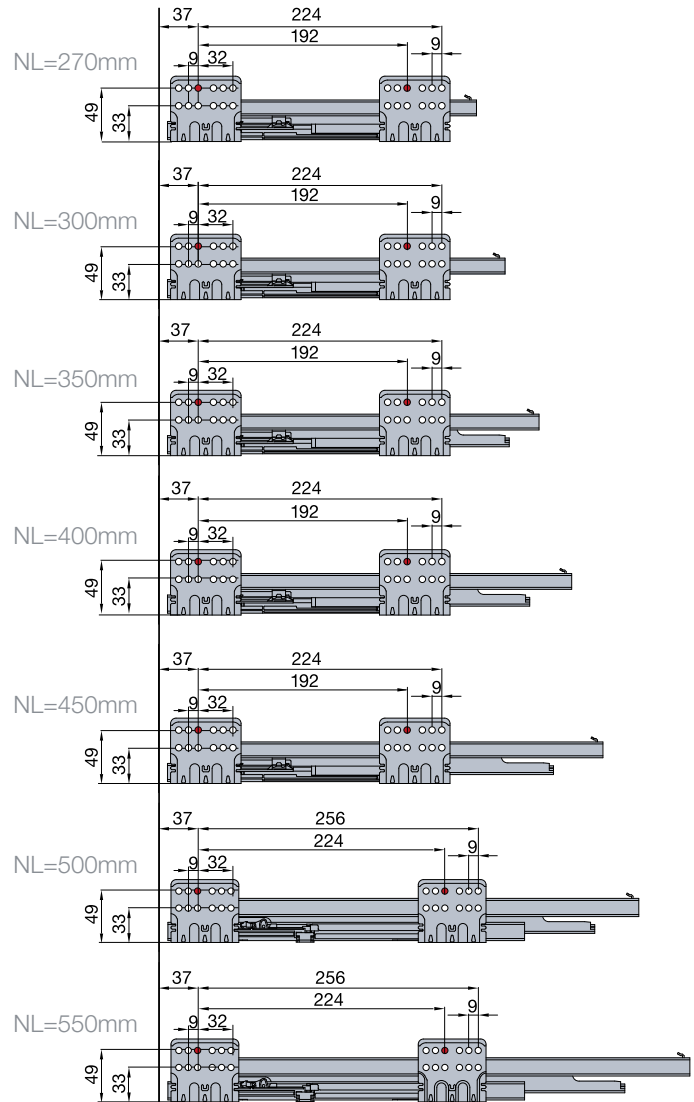
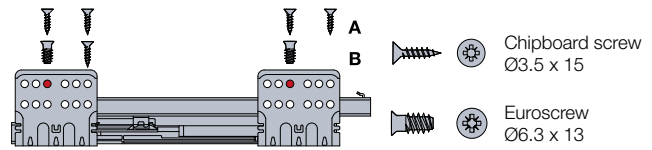
Mounting dimensions for the back panel



Installation dimensions for the front panel

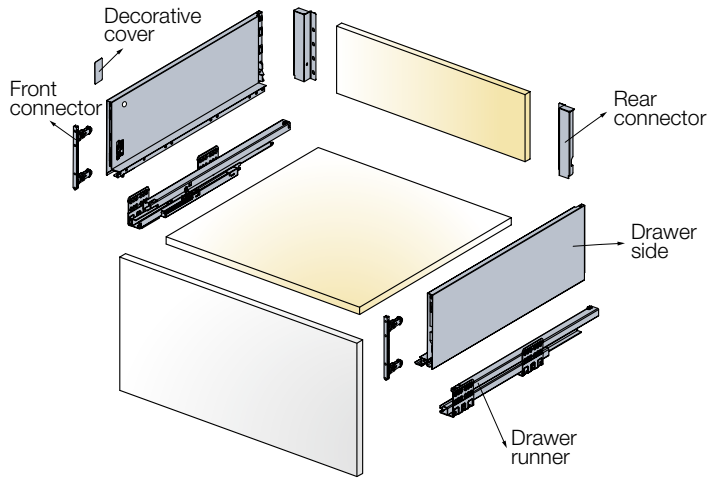
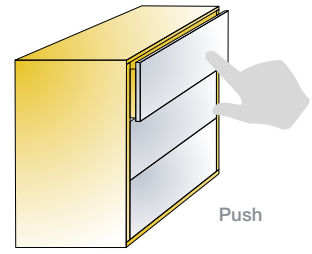


Drawer runner fixing positions

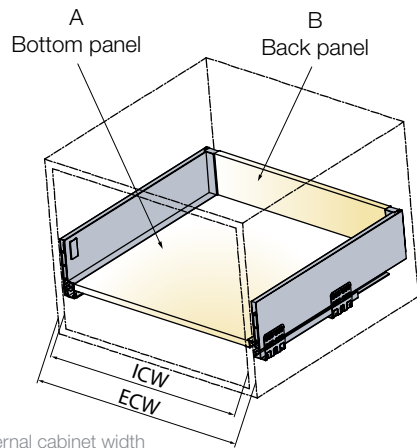


A trial mounting is always recommended.
For further information please contact your
Titus Group representative.

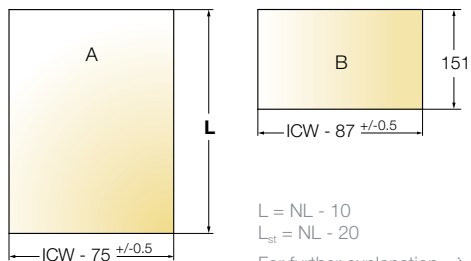
Tekform Slimline Tacto Drawer DW145 Touch Opening System



Cutting dimensions details

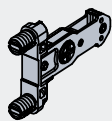
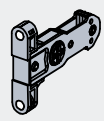








ECW: External cabinet width
ICW: Internal cabinet width
NL: Nominal length of drawer
L_{st}: Length in case of steel back panel



For further explanation → see page 3.8



NL	with EasyFix front connector	with Screw-in front connector	White
Nominal length (mm)			
	Item number for a set	Item number for a set	
400	655-8V61 →	655-8G61 →	150
450	655-8V62 →	655-8G62 →	150
500	655-8V63 →	655-8G63 →	150
550	655-8V64 →	655-8G64 →	150
One set consists of			
Drawer sides			2 pcs
Drawer runners			2 pcs
*Front connectors			2 pcs
Rear connectors			2 pcs
Covers			2 pcs 2 pcs
Mounting instructions			1 pc/4 sets

Screws are not included

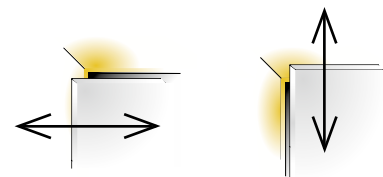
Touch opening



Tacto Slimline Mechanism
→ see page 3.47

- Drawer runner type
- Load capacity
- Minimum height per drawer required
- Wooden back panel thickness
- Wooden bottom panel thickness

full extension
40 kg
198mm
16mm
16mm



Side adjustment
+1/-1mm

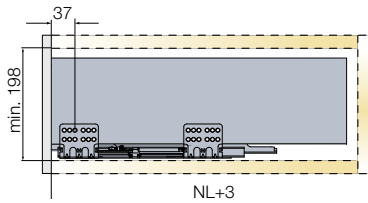
Height adjustment
+2/-2mm

For further explanation → see page 3.10

i Works only with Tacto Slimline Mechanism
→ see page 3.47

Installation dimensions

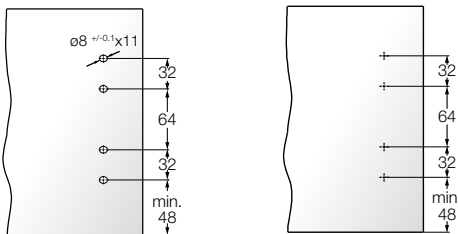
Minimum space required for the cabinet



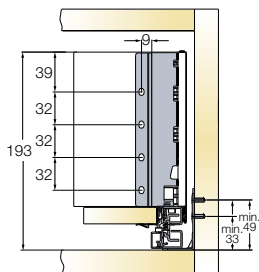
Drilling dimensions for the front panel

EasyFix attachment

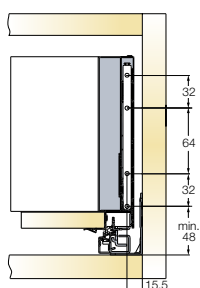
Screw-in attachment



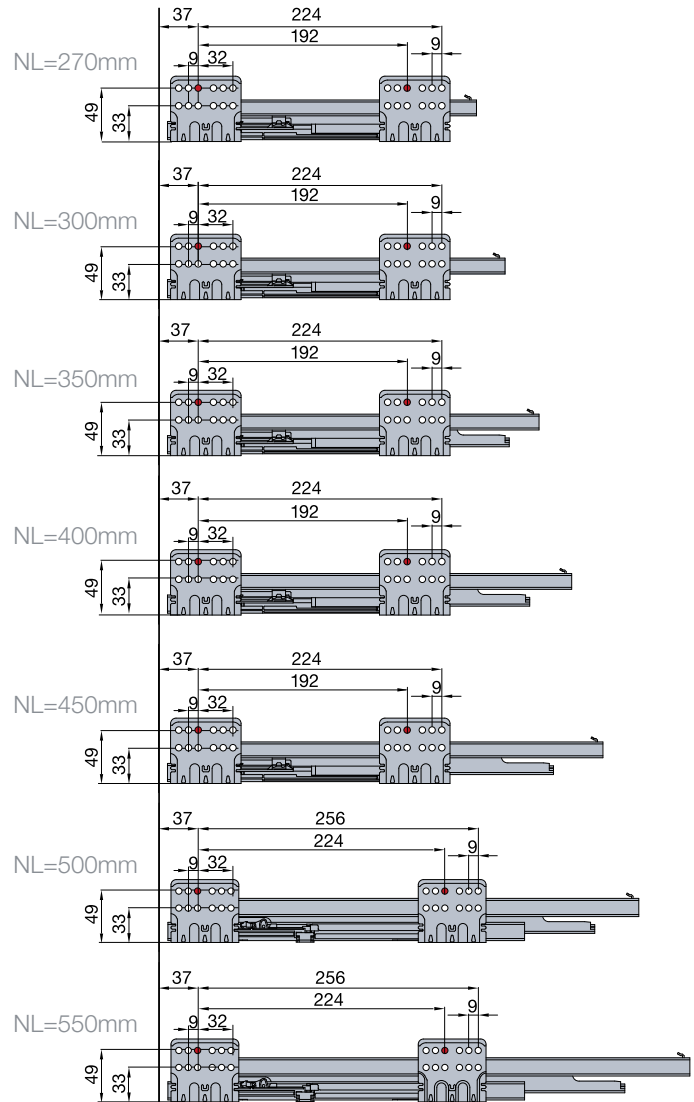
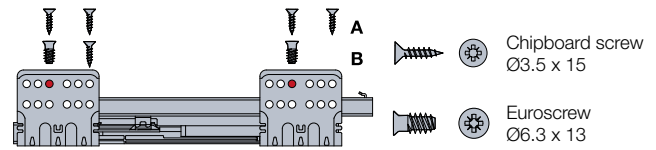
Mounting dimensions for the back panel



Installation dimensions for the front panel

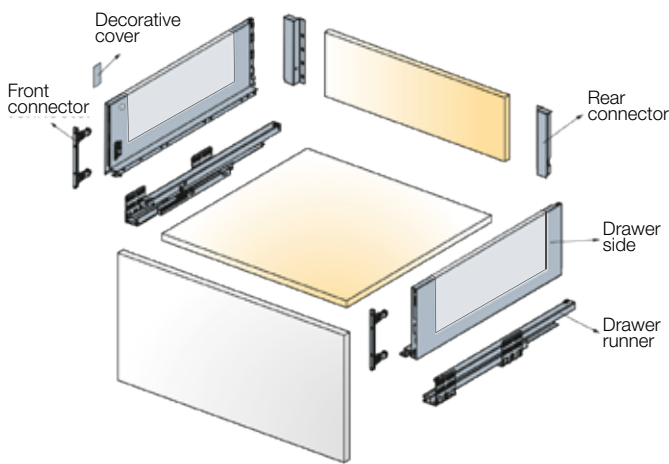
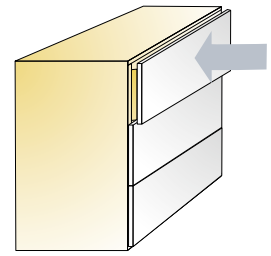


Drawer runner fixing positions

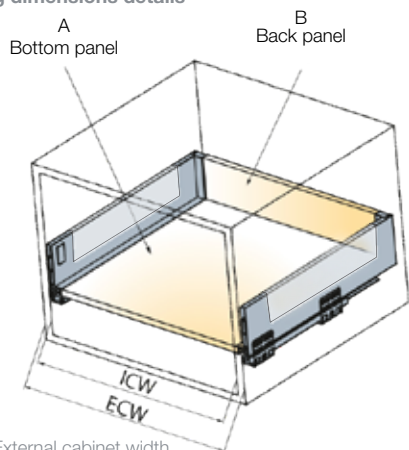


A trial mounting is always recommended.
For further information please contact your Titus Group representative.

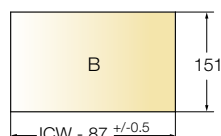
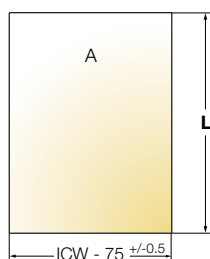
Tekform Slimline Drawer DW145 With Glass Sides



Cutting dimensions details



ECW: External cabinet width
ICW: Internal cabinet width
NL: Nominal length of drawer
L_{st}: Length in case of steel back panel









$L = NL - 10$
 $L_{st} = NL - 20$

For further explanation → see page 3.8

 4 sets

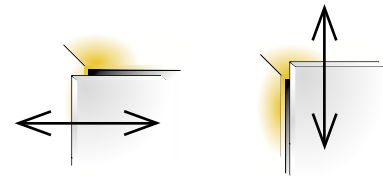
NL	with EasyFix front connector	with Screw-in front connector			
Nominal length (mm)					
	Item number for a set	Item number for a set	White + Glass	Antracite grey + Glass	
	400	655-7S40 →	655-7W40 →	152	187
	450	655-7S45 →	655-7W45 →	152	187
500	655-7S50 →	655-7W50 →	152	187	

One set consists of				
Drawer sides		2 pcs		
Drawer runners		2 pcs		
Front connectors		2 pcs		
Rear connectors		2 pcs		
Covers		2 pcs 2 pcs		
Mounting instructions		1 pc/4 sets		

Screws are not included

- Drawer runner type
- Load capacity
- Minimum height space required
- Wooden back panel thickness
- Wooden bottom panel thickness
- Tempered glass sides

Full extension
40kg
198mm
16mm
16mm
8mm, transparent



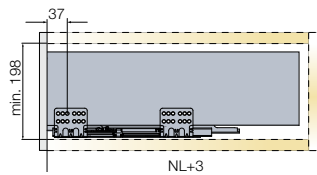
Side adjustment
+1/-1mm

Height adjustment
+2/-2mm

For further explanation → see page 3.10

Installation dimensions

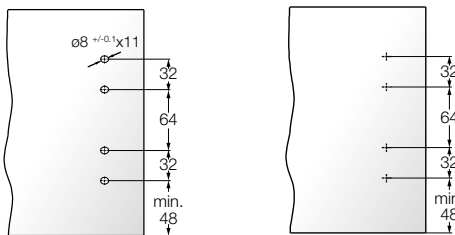
Minimum space required for the cabinet



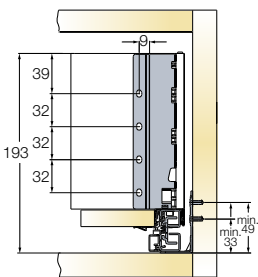
Drilling dimensions for the front panel

EasyFix attachment

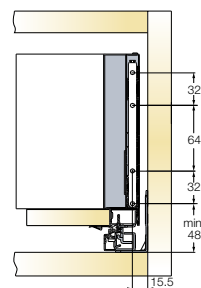
Screw-in attachment



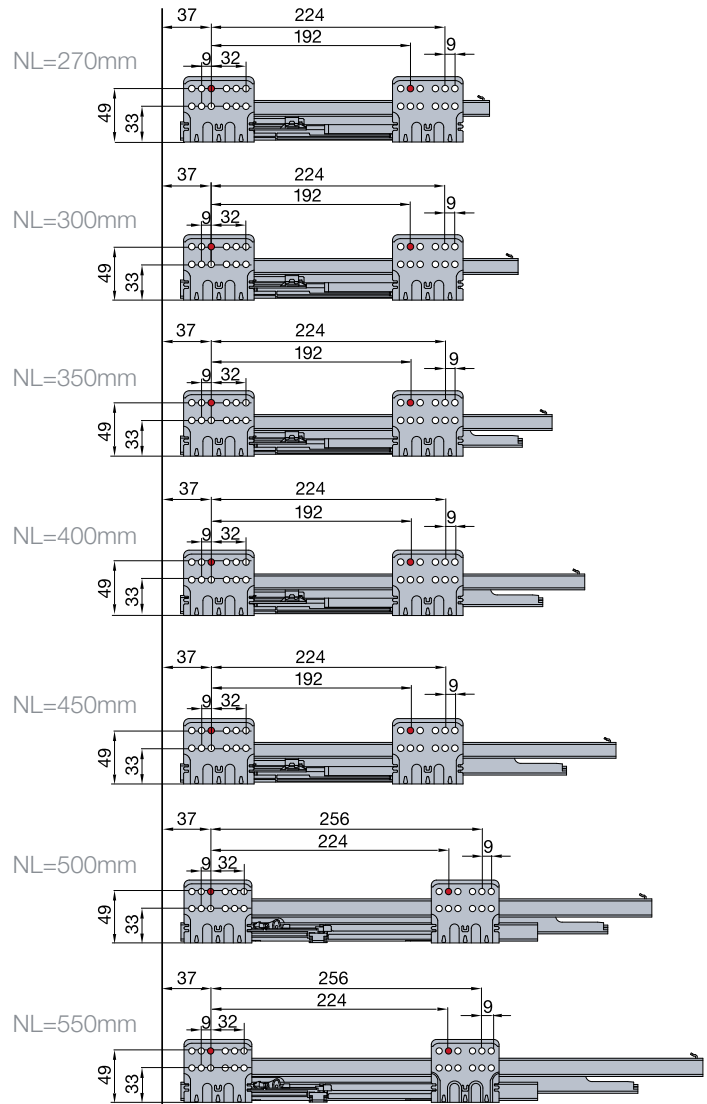
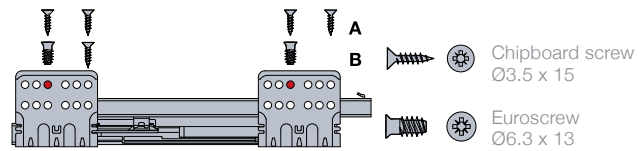
Mounting dimensions for the back panel



Installation dimensions for the front panel

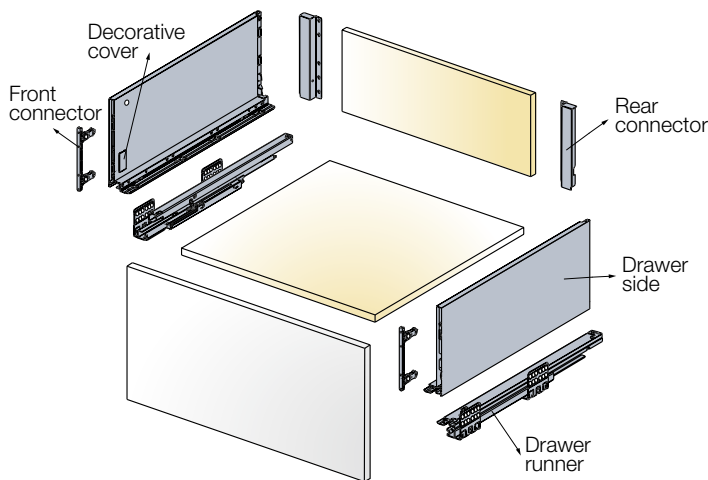
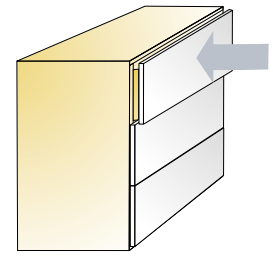


Drawer runner fixing positions

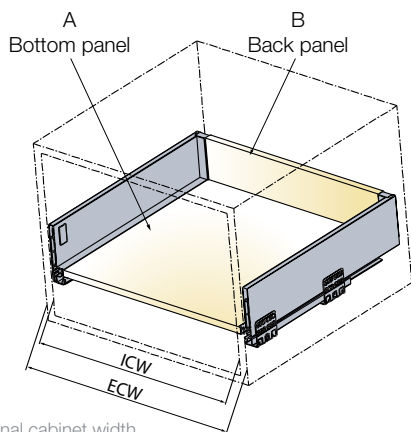


A trial mounting is always recommended.
For further information please contact your
Titus Group representative.

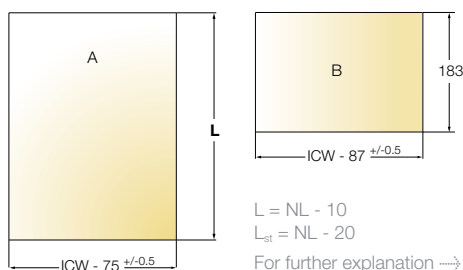
Tekform Slimline Drawer DW182



Cutting dimensions details



ECW: External cabinet width
 ICW: Internal cabinet width
 NL: Nominal length of drawer
 L_{st}: Length in case of steel back panel



NL	with EasyFix front connector	with Screw-in front connector		
Nominal length (mm)			White	Antracite grey
	Item number for a set	Item number for a set		

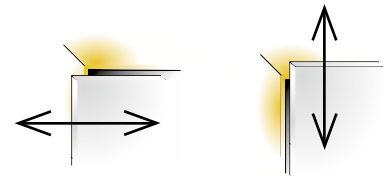
270	655-8Z27 →	655-8H27 →	150	185
300	655-8Z30 →	655-8H30 →	150	185
350	655-8Z35 →	655-8H35 →	150	185
400	655-8Z40 →	655-8H40 →	150	185
450	655-8Z45 →	655-8H45 →	150	185
500	655-8Z50 →	655-8H50 →	150	185
550	655-8Z55 →	655-8H55 →	150	185

One set consists of				
Drawer sides		2 pcs		
Drawer runners		2 pcs		
*Front connectors		2 pcs		
Rear connectors		2 pcs		
Covers		2 pcs		
		2 pcs		
Mounting instructions		1 pc/4 sets		

Screws are not included

- Drawer runner type
- Load capacity
- Minimum height per drawer required
- Wooden back panel thickness
- Wooden bottom panel thickness

full extension
40kg
230mm
16mm
16mm



Side adjustment
+1/-1mm

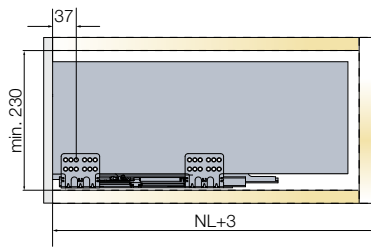
Height adjustment
+2/-2mm

For further explanation → see page 3.10

Installation dimensions

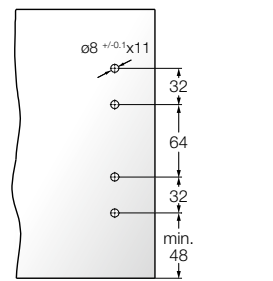
Drawer runner fixing positions

Minimum space required for the cabinet

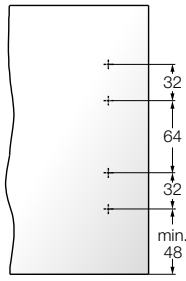


Drilling dimensions for the front panel

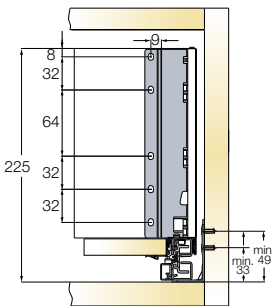
EasyFix attachment



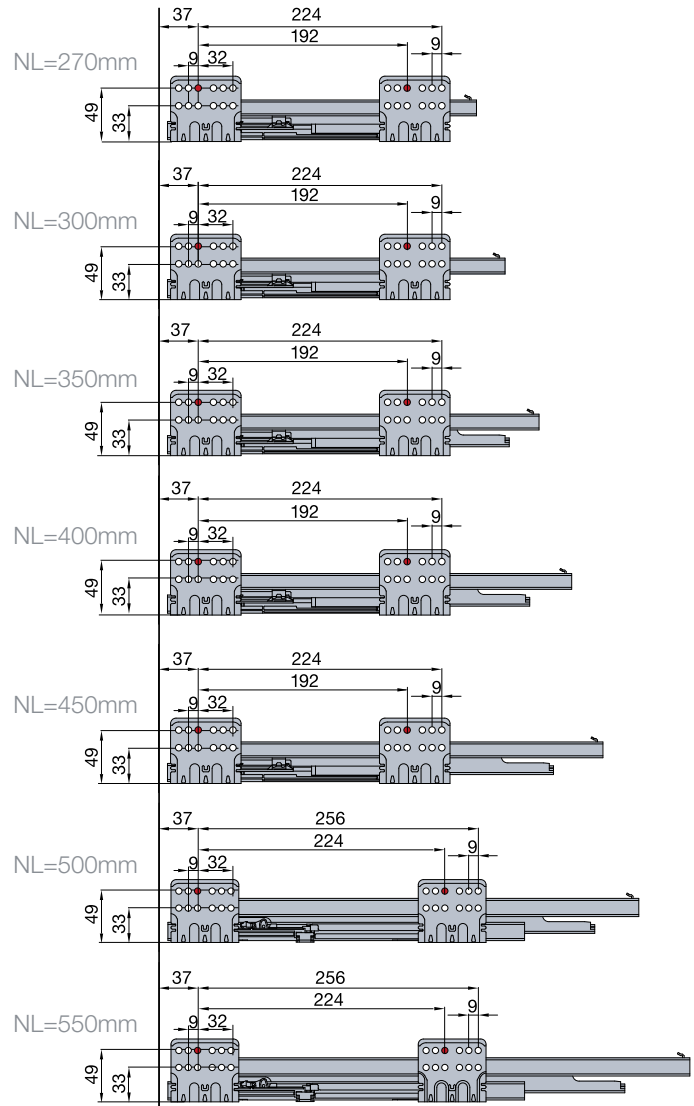
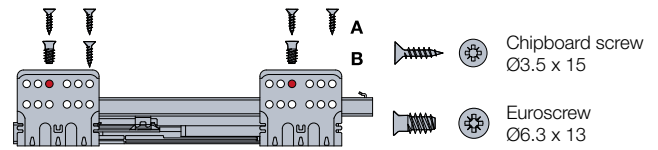
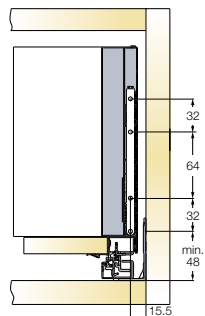
Screw-in attachment



Mounting dimensions for the back panel



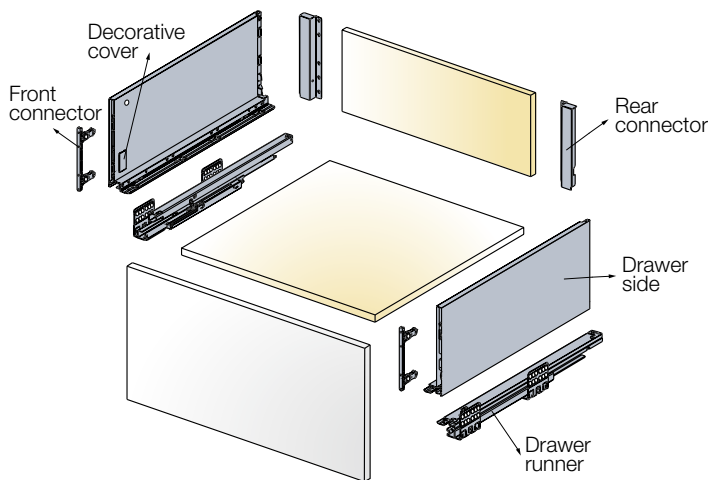
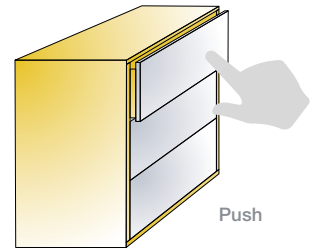
Installation dimensions for the front panel



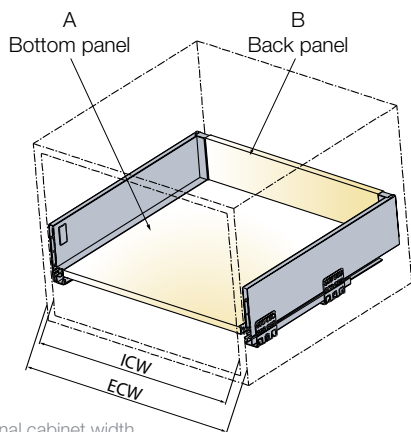
A trial mounting is always recommended.
For further information please contact your
Titus Group representative.

Tekform Slimline Tacto Drawer DW182

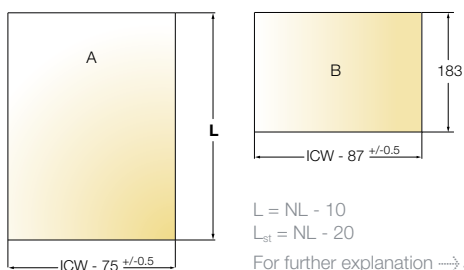
Touch Opening System

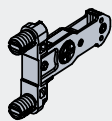
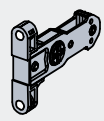








Cutting dimensions details



ECW: External cabinet width
 ICW: Internal cabinet width
 NL: Nominal length of drawer
 L_{st}: Length in case of steel back panel



NL	with EasyFix front connector	with Screw-in front connector	White
Nominal length (mm)			
	Item number for a set	Item number for a set	
400	655-8Z61 →	655-8H61 →	150
450	655-8Z62 →	655-8H62 →	150
500	655-8Z63 →	655-8H63 →	150
550	655-8Z64 →	655-8H64 →	150

One set consists of		
Drawer sides		2 pcs
Drawer runners		2 pcs
*Front connectors		2 pcs
Rear connectors		2 pcs
Covers		2 pcs 2 pcs
Mounting instructions		1 pc/4 sets

Screws are not included

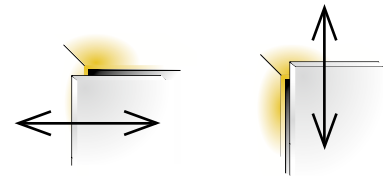
Touch opening



Tacto Slimline Mechanism
 → see page 3.47

- Drawer runner type
- Load capacity
- Minimum height per drawer required
- Wooden back panel thickness
- Wooden bottom panel thickness

full extension
40kg
230mm
16mm
16mm



Side adjustment
+1/-1mm

Height adjustment
+2/-2mm

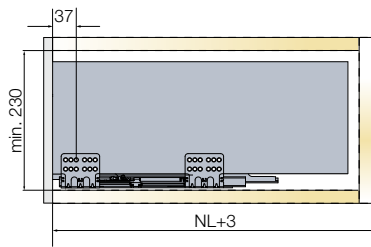
For further explanation → see page 3.10

i Works only with Tacto Slimline Mechanism
→ see page 3.47

Installation dimensions

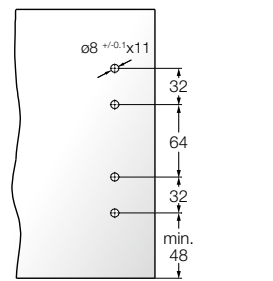
Drawer runner fixing positions

Minimum space required for the cabinet

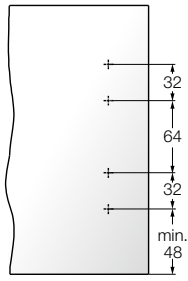


Drilling dimensions for the front panel

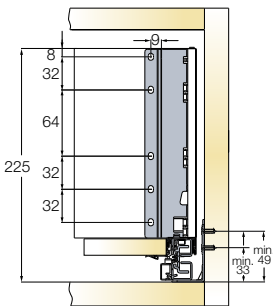
EasyFix attachment



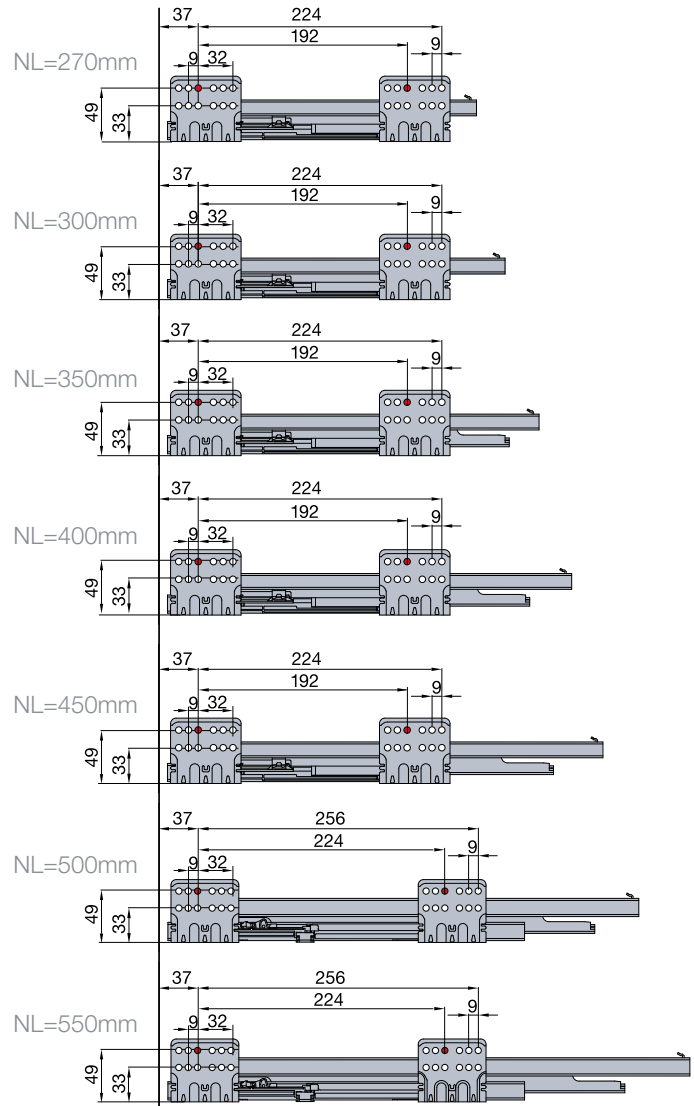
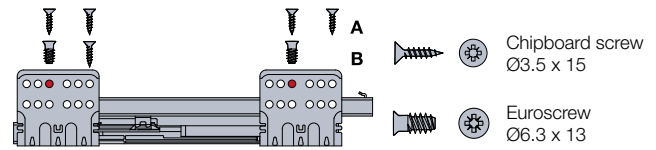
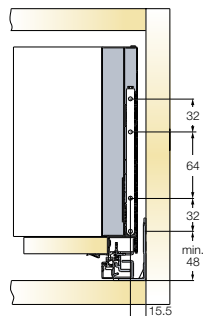
Screw-in attachment



Mounting dimensions for the back panel

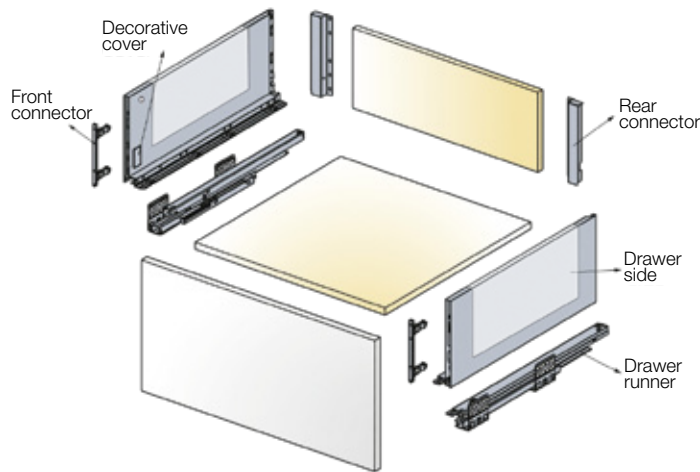
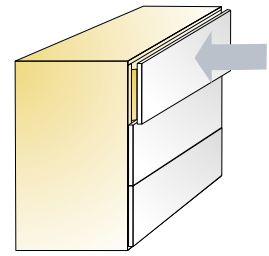


Installation dimensions for the front panel

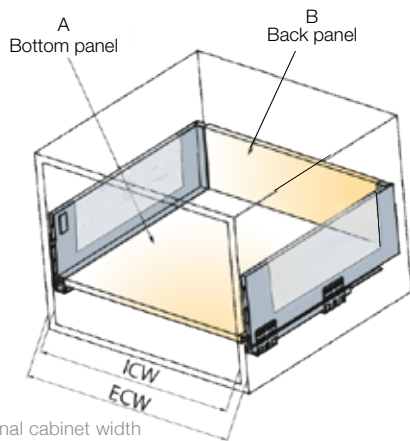


A trial mounting is always recommended.
For further information please contact your Titus Group representative.

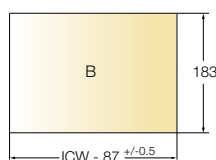
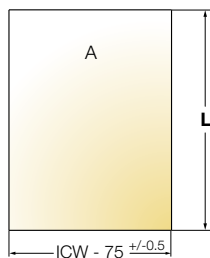
Tekform Slimline Drawer DW182 With Glass Sides



Cutting dimensions details



ECW: External cabinet width
ICW: Internal cabinet width
NL: Nominal length of drawer
L_{st}: Length in case of steel back panel



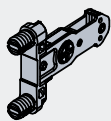
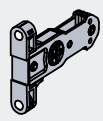






$$L = NL - 10$$

$$L_{st} = NL - 20$$

For further explanation → see page 3.8



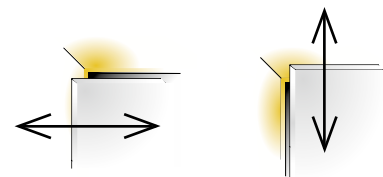
4 sets

NL	with EasyFix front connector	with Screw-in front connector		
			White + Glass	Antracite grey + Glass
Nominal length (mm)	Item number for a set	Item number for a set		
400	655-7T40 →	655-7X40 →	152	187
450	655-7T45 →	655-7X45 →	152	187
500	655-7T50 →	655-7X50 →	152	187
One set consists of				
	Drawer sides		2 pcs	
	Drawer runners		2 pcs	
	Front connectors		2 pcs	
	Rear connectors		2 pcs	
	Covers		2 pcs	
	Mounting instructions		1 pc/4 sets	

Screws are not included

- Drawer runner type
- Load capacity
- Minimum height space required
- Wooden back panel thickness
- Wooden bottom panel thickness
- Tempered glass sides

Full extension
40kg
230mm
16mm
16mm
8mm, transparent



Side adjustment
+1/-1mm

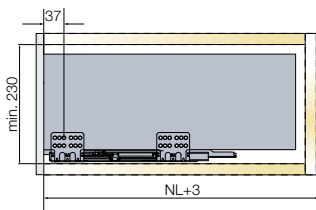
Height adjustment
+2/-2mm

For further explanation → see page 3.10

Installation dimensions

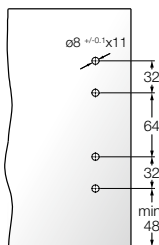
Drawer runner fixing positions

Minimum space required for the cabinet

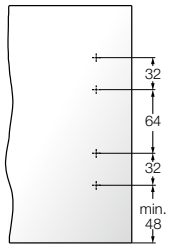


Drilling dimensions for the front panel

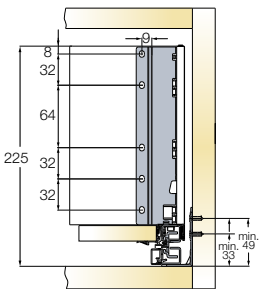
EasyFix attachment



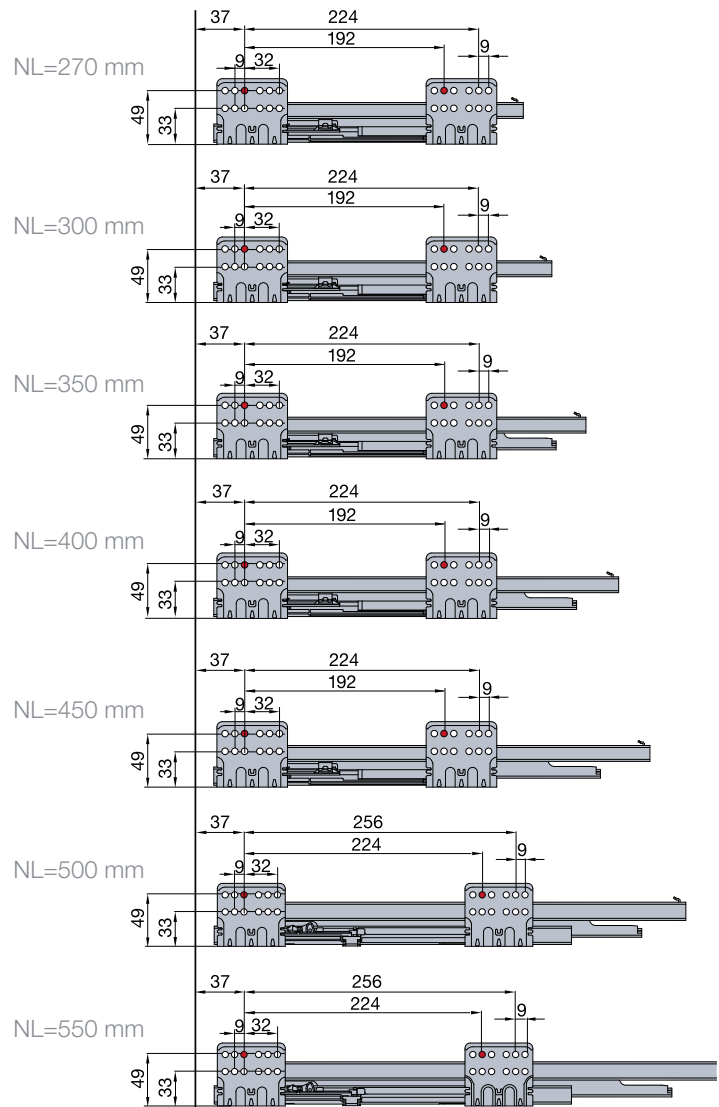
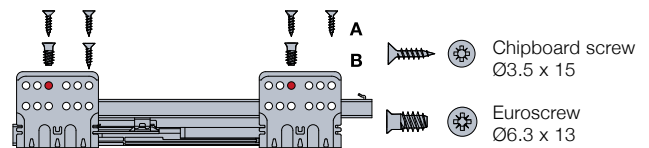
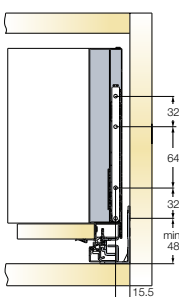
Screw-in attachment



Mounting dimensions for the back panel

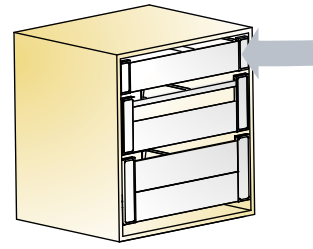


Installation dimensions for the front panel



A trial mounting is always recommended.
For further information please contact your
Titus Group representative.

Inner Drawer Front for Tekform Slimline Drawer DW70



Front panel



Cutting dimension L = ICW-100
ICW → see page 3.28



20 pcs

Made of aluminium

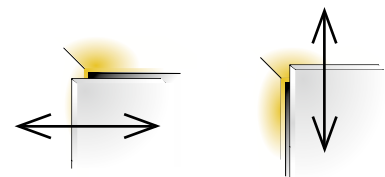
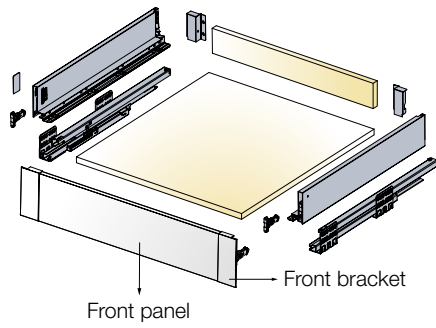
Front bracket



50 sets

Made of aluminium and plastic

ECW	External cabinet width	Item number	White	Antracite grey
1200	655-8064 →	511	515	
		655-8065 →	150	185



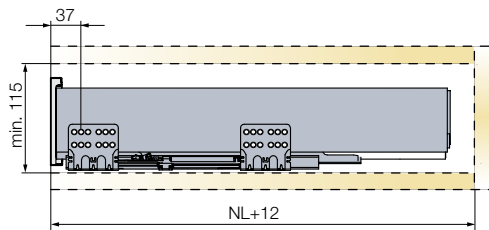
Side adjustment
+1/-1mm

Height adjustment
+2/-2mm

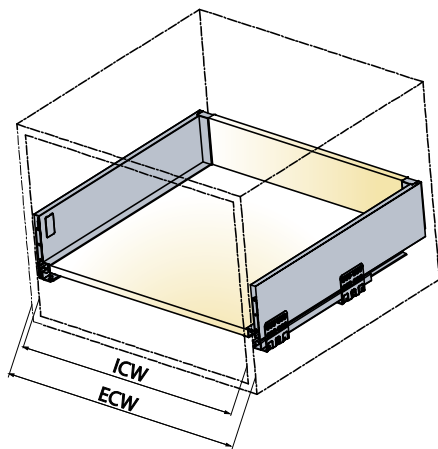
For further explanation → see page 3.10

Installation dimensions

Minimum space required for the cabinet

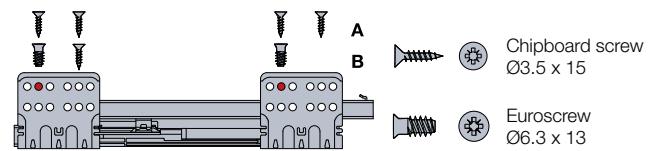


Cutting dimensions details

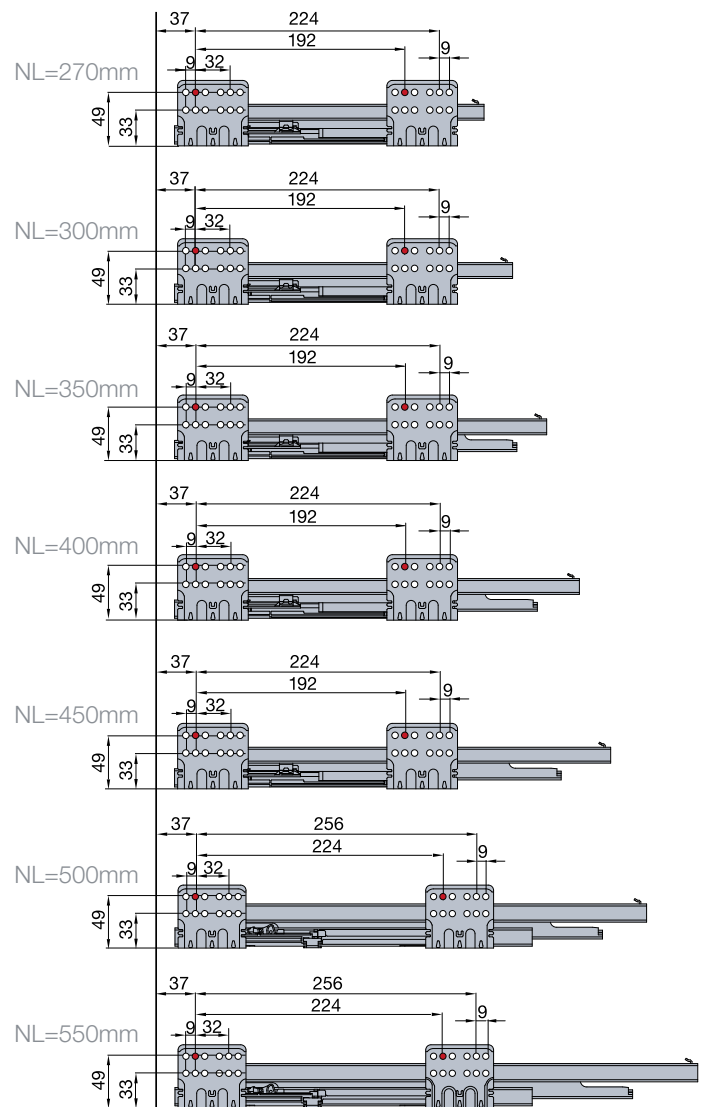


ECW: External cabinet width
ICW: Internal cabinet width
NL: Nominal length of drawer

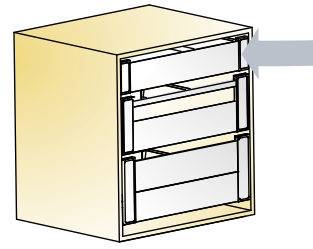
Drawer runner fixing positions



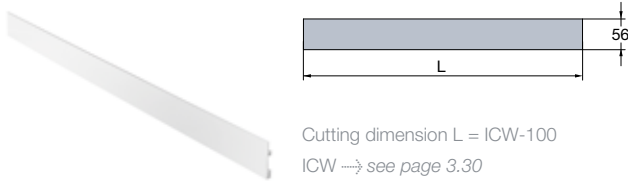
⚠ Use the second hole for runner fixing.



Inner Drawer Front for Tekform Slimline Drawer DW70 with Glass

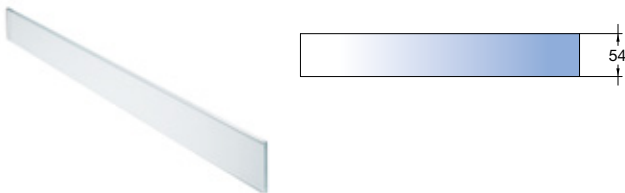


Front panel



Made of aluminium

Low glass



20 pcs (655-8295, 655-8300, 655-8296, 655-8301)

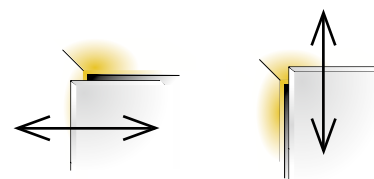
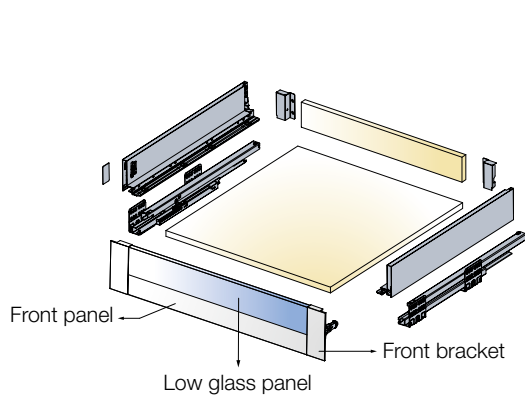
Made of glass

Front bracket



Made of aluminium and plastic

ECW	Cabinet side Thickness=16mm	Cabinet side Thickness=18mm			
External cabinet width			White	Antracite grey	Transparent glass
Item number	Item number				
1200	655-8085 →		511	515	
600	655-8295 →	655-8300 →			392
800	655-8296 →	655-8301 →			392
900	655-8297 →	655-8302 →			392
	655-8305 →		150	185	



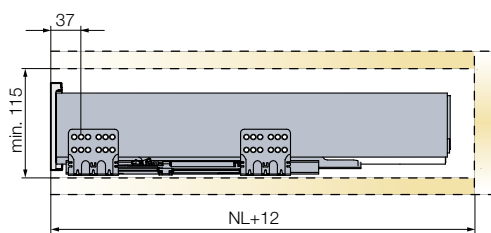
Side adjustment
+1/-1mm

Height adjustment
+2/-2mm

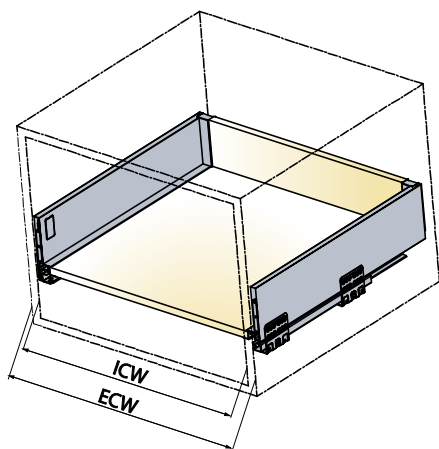
For further explanation → see page 3.10

Installation dimensions

Minimum space required for the cabinet

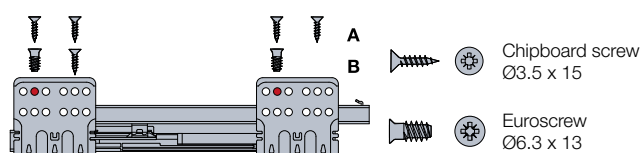


Cutting dimensions details

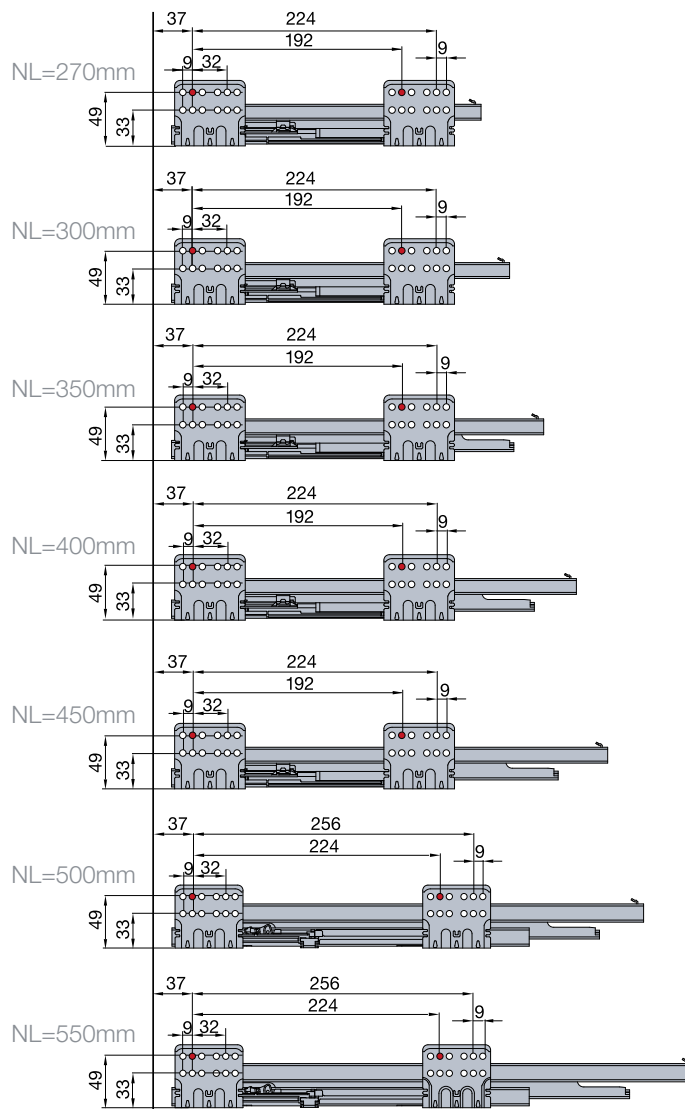


ECW: External cabinet width
ICW: Internal cabinet width
NL: Nominal length of drawer

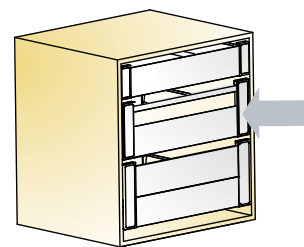
Drawer runner fixing positions



⚠ Use the second hole for runner fixing.



Inner Drawer Front for Tekform Slimline Drawer DW145 with Bar



Front bar

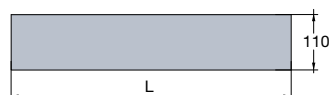


Cutting dimension L = ICW-88
ICW → see page 3.32

 50 pcs

Made of aluminium

Front panel



Cutting dimension L = ICW-100
ICW → see page 3.32

 20 pcs

Made of aluminium

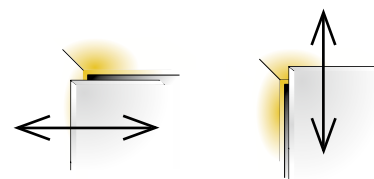
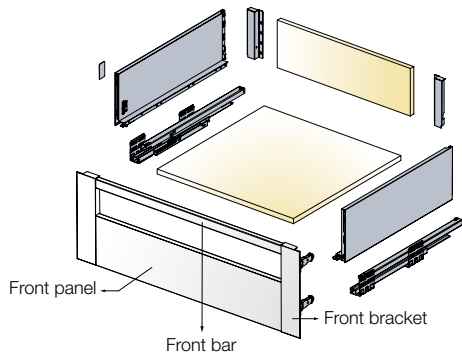
Front bracket



 20 pcs

Made of aluminium and plastic

ECW	External cabinet width	Item number	White	Antracite grey
1200	655-8090 →	511	515	
1200	655-8064 →	511	515	
	655-8101 →	350	385	



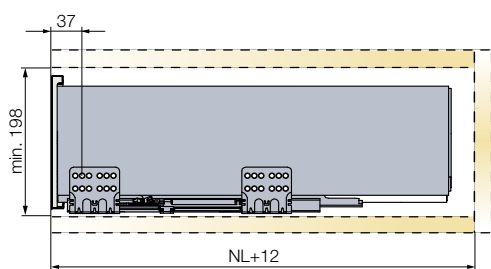
Side adjustment
+1/-1mm

Height adjustment
+2/-2mm

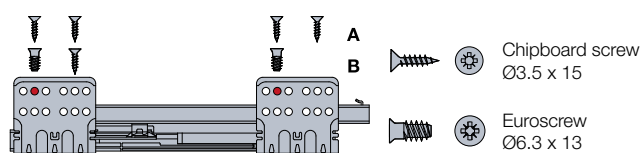
For further explanation → see page 3.10

Installation dimensions

Minimum space required for the cabinet

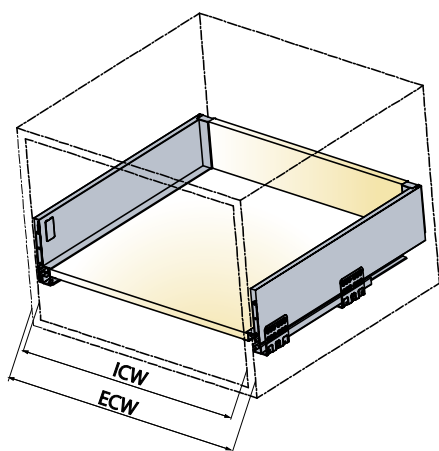


Drawer runner fixing positions

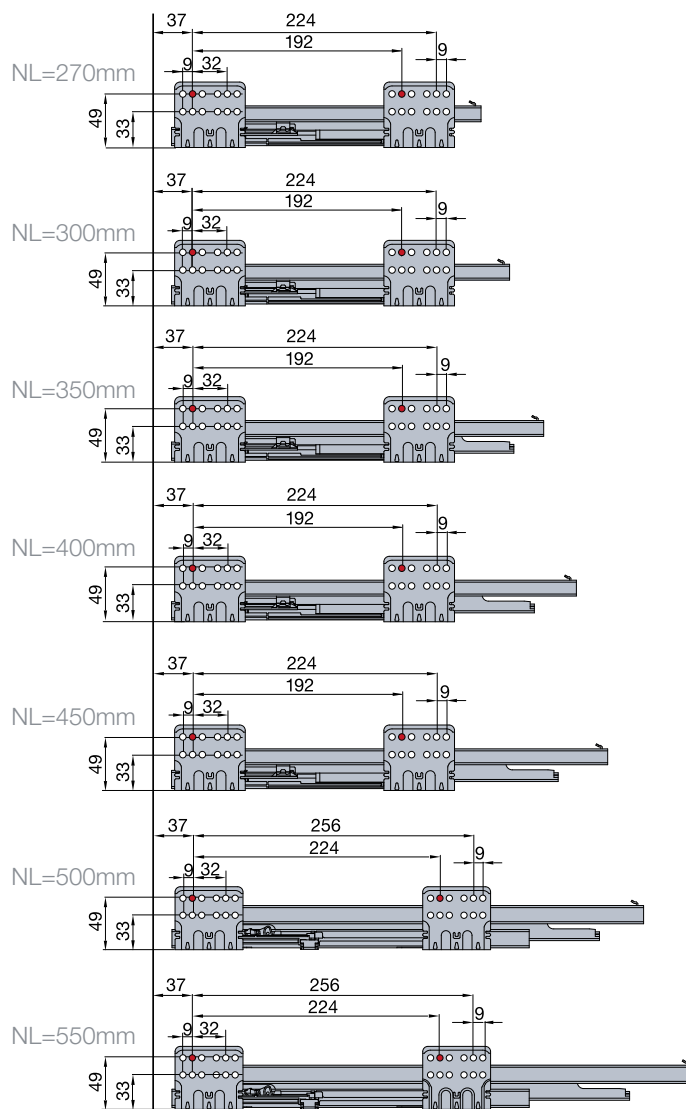


⚠ Use the second hole for runner fixing.

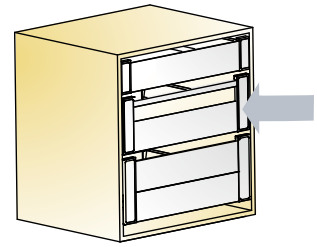
Cutting dimensions details



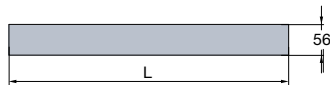
ECW: External cabinet width
ICW: Internal cabinet width
NL: Nominal length of drawer



Inner Drawer Front for Tekform Slimline Drawer DW145 with High Glass



Front panel




Cutting dimension L = ICW-100
ICW → see page 3.34

 20 pcs

Made of aluminium

Front glass panel - high



 5 pcs
10 pcs (655-8220, 655-8096,
655-8221, 655-8097)

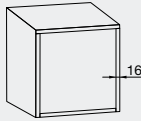
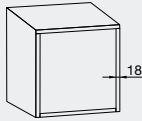
Made of glass

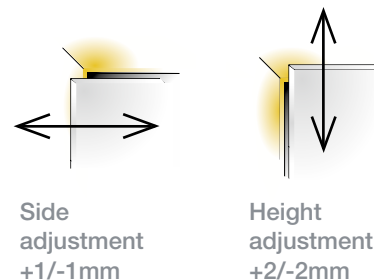
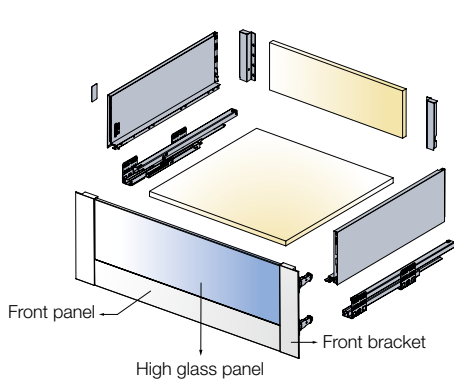
Front bracket



 20 sets

Made of aluminium and plastic

ECW	Cabinet side Thickness=16mm	Cabinet side Thickness=18mm			
External cabinet width			White	Antracite grey	Transparent glass
Item number	Item number				
1200	655-8085 →		511	515	
600	655-8220 →	655-8096 →			392
800	655-8221 →	655-8097 →			392
900	655-8222 →	655-8098 →			392
	655-8103 →		350	385	

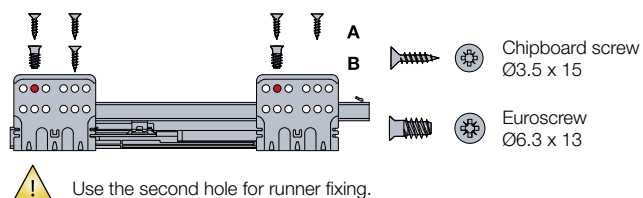
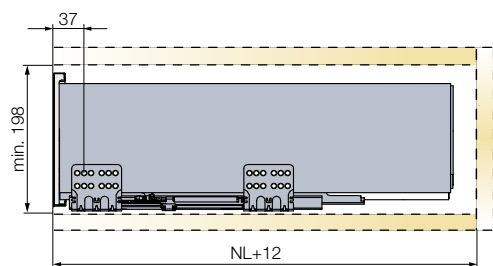


For further explanation → see page 3.10

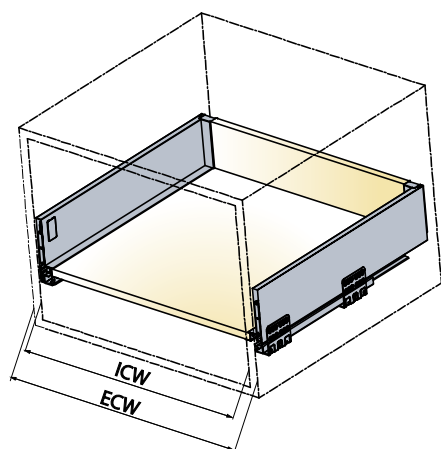
Installation dimensions

Drawer runner fixing positions

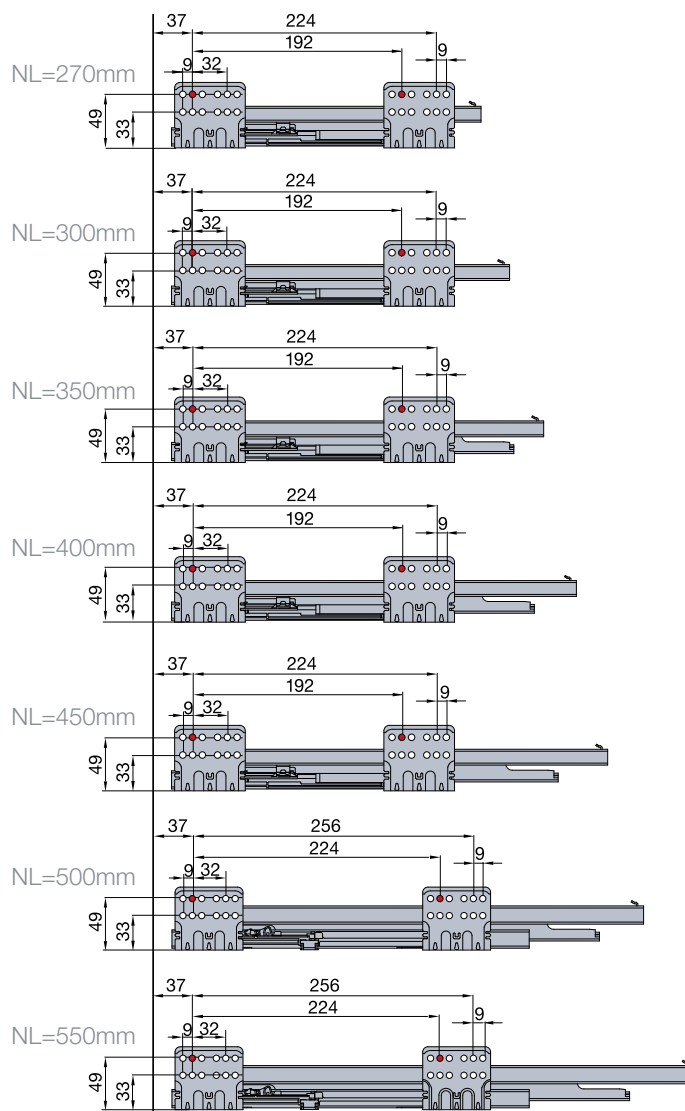
Minimum space required for the cabinet



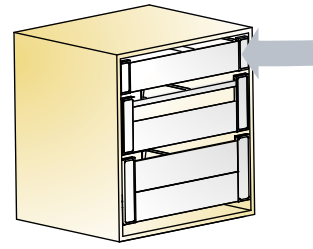
Cutting dimensions details



ECW: External cabinet width
ICW: Internal cabinet width
NL: Nominal length of drawer



Inner Drawer Front for Tekform Slimline Drawer DW182 with Bar



Front bar

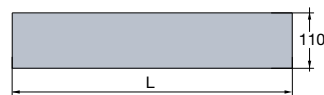


Cutting dimension L = ICW-88
ICW → see page 3.36

 50 pcs

Made of aluminium and plastic

Front panel



Cutting dimension L = ICW-100
ICW → see page 3.36

 20 pcs

Made of aluminium

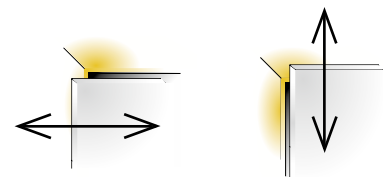
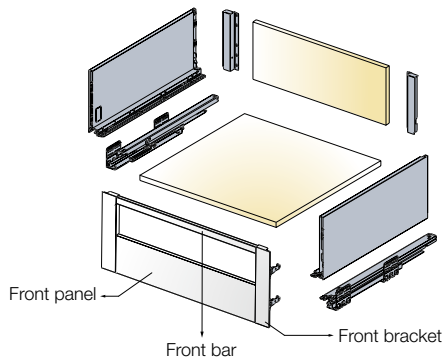
Front bracket



 20 sets

Made of aluminium and plastic

ECW	Item number	White	Antracite grey
External cabinet width			
1200	655-8090 →	511	515
1200	655-8064 →	511	515
	655-8170 →	350	385



Side adjustment
+1/-1mm

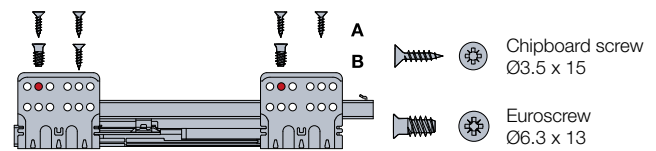
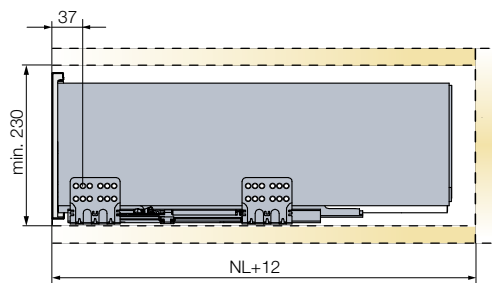
Height adjustment
+2/-2mm

For further explanation → see page 3.10

Installation dimensions

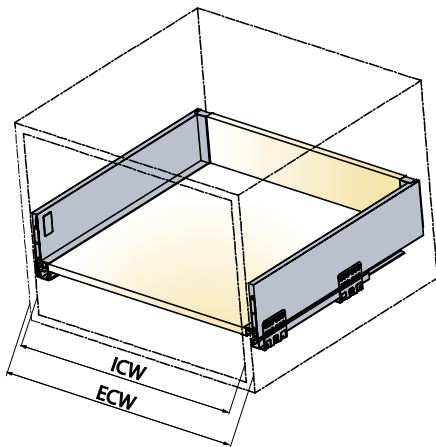
Drawer runner fixing positions

Minimum space required for the cabinet

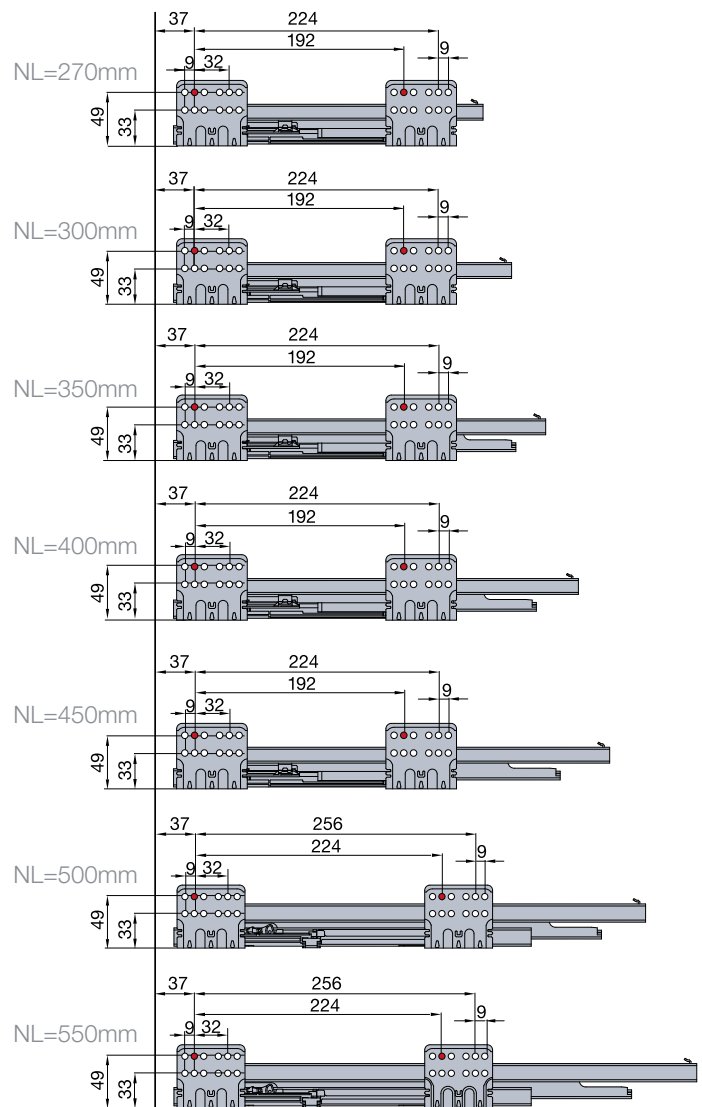


⚠ Use the second hole for runner fixing.

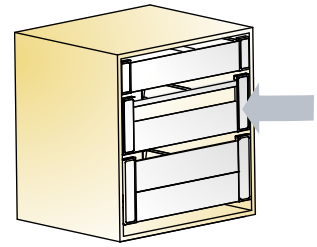
Cutting dimensions details



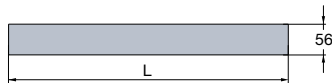
ECW: External cabinet width
ICW: Internal cabinet width
NL: Nominal length of drawer



Inner Drawer Front for Tekform Slimline Drawer DW182 with High Glass



Front panel

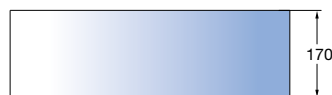



Cutting dimension L = ICW-100
ICW → see page 3.38

 20 pcs

Made of aluminium

Front glass panel - high



 5 pcs
10 pcs (655-8280, 655-8165,
655-8281, 655-8166)

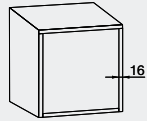
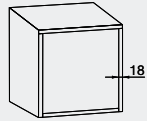


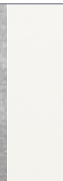
Made of glass

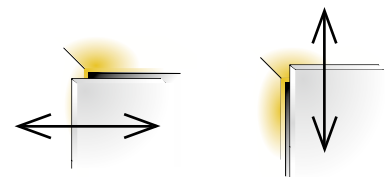
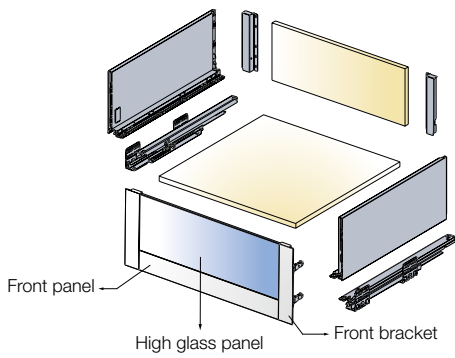
Front bracket



 20 sets

Made of aluminium and plastic

ECW	Cabinet side Thickness=16mm	Cabinet side Thickness=18mm			
External cabinet width					
Item number	Item number	White	Antracite grey	Transparent glass	
1200	655-8085 →	511	515		
600	655-8280 →	655-8165 →			392
800	655-8281 →	655-8166 →			392
900	655-8282 →	655-8167 →			392
	655-8172 →	350	385		



Side adjustment
+1/-1mm

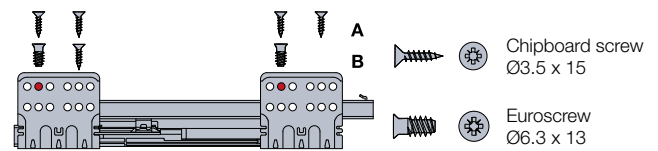
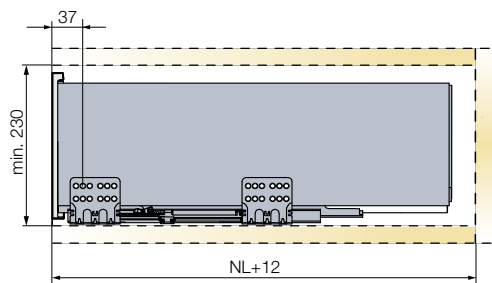
Height adjustment
+2/-2mm

For further explanation → see page 3.10

Installation dimensions

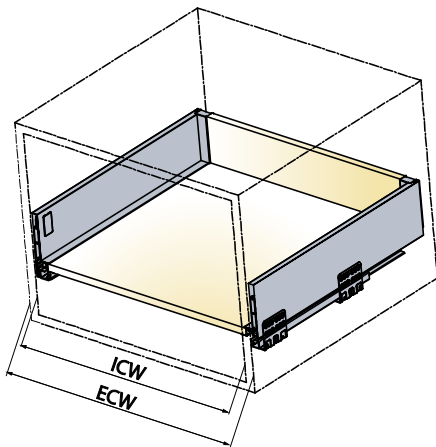
Drawer runner fixing positions

Minimum space required for the cabinet

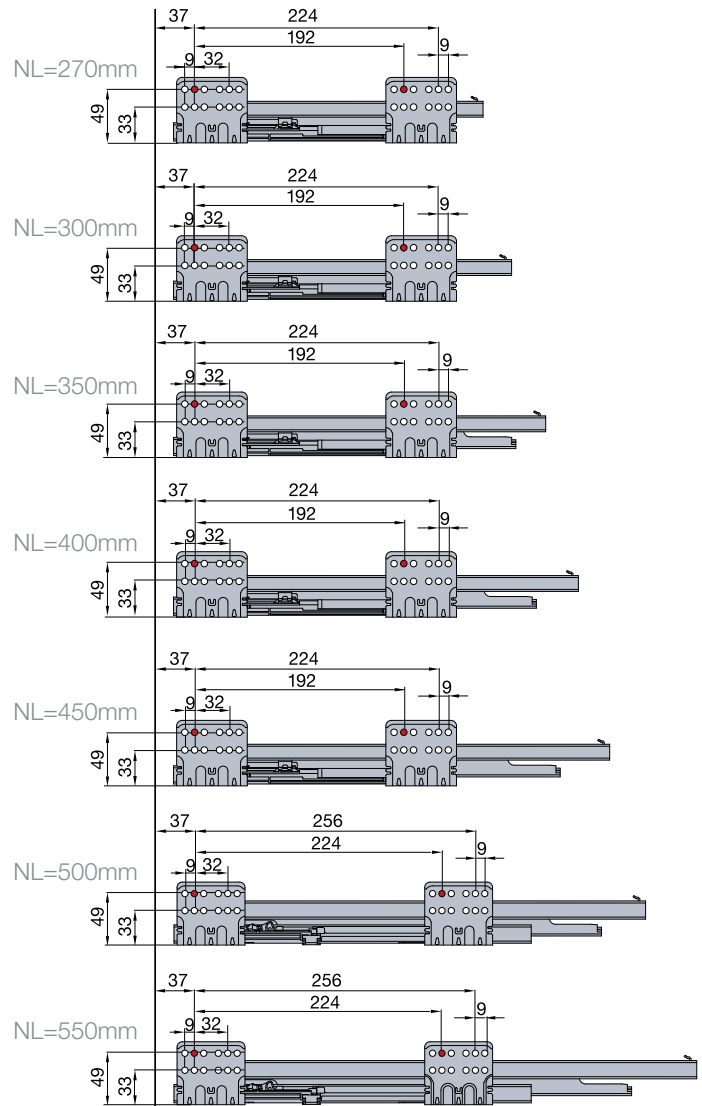


⚠ Use the second hole for runner fixing.

Cutting dimensions details



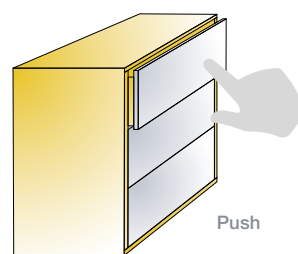
ECW: External cabinet width
ICW: Internal cabinet width
NL: Nominal length of drawer



Accessories

Tacto Slimline Mechanism

Touch Opening



Technical details

Item number

Zinc plated

655-9152

040

Set of 2 mechanisms (one drawer application):
655-9152-040-K1

PushOpen
Mechanism



2 pcs

Chipboard
screws

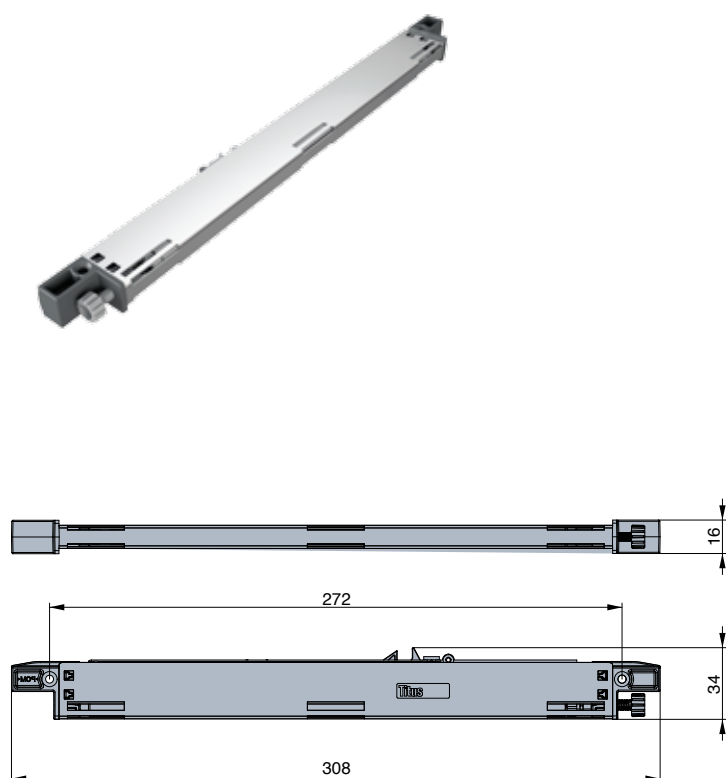


4 pcs

Mounting
instructions



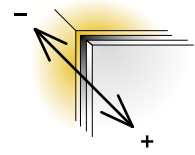
1 pc/set



30 sets

Made of steel and plastic

- Fast and intuitive mounting without pre-drilling
- Reliable and secure closing
- Non handed design
- Narrow 1.5mm operating gap for evenly aligned fronts

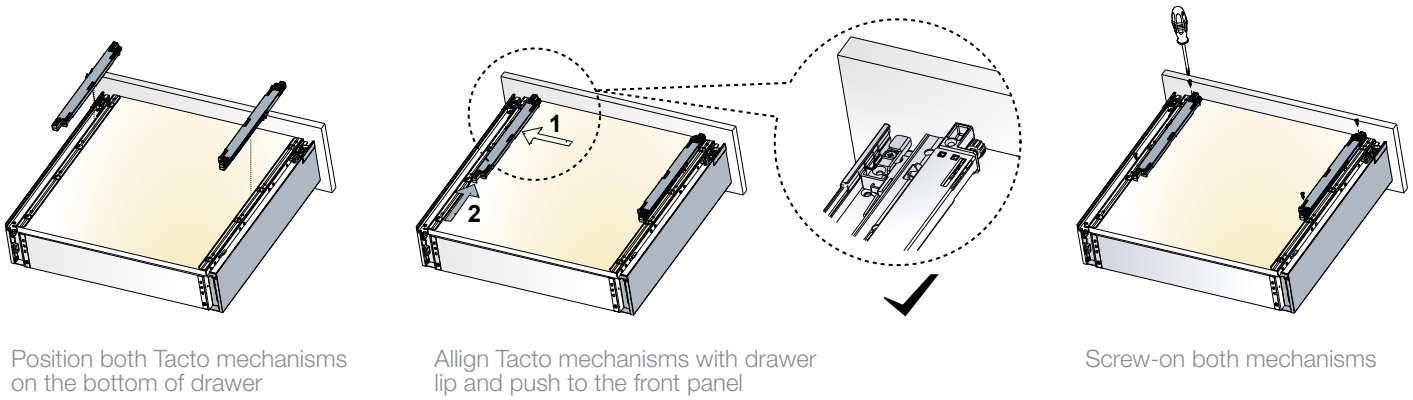


Depth adjustment
-0.5/+2.5mm



Works only with Tacto Slimline
→ see page 3.47

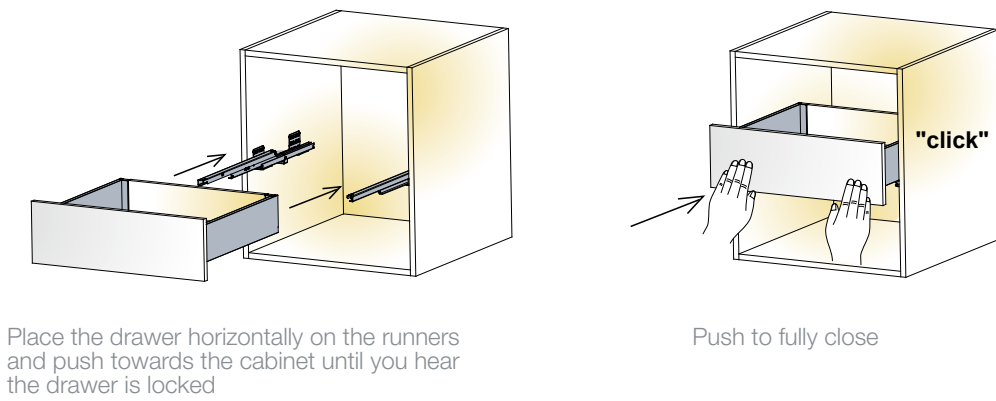
Mounting details



Position both Tacto mechanisms on the bottom of drawer

Align Tacto mechanisms with drawer lip and push to the front panel

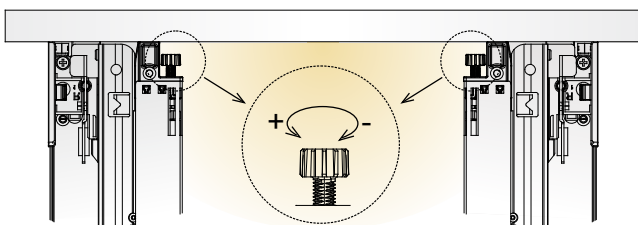
Screw-on both mechanisms



Place the drawer horizontally on the runners and push towards the cabinet until you hear the drawer is locked

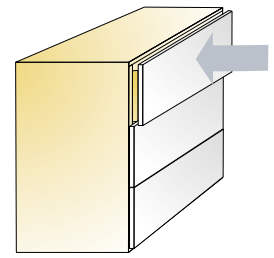
Push to fully close


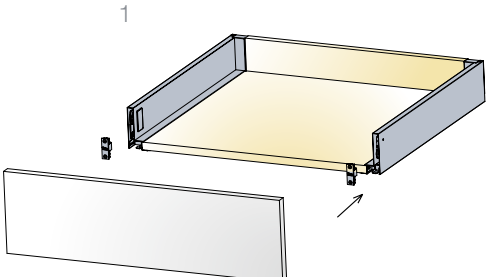
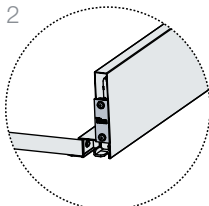

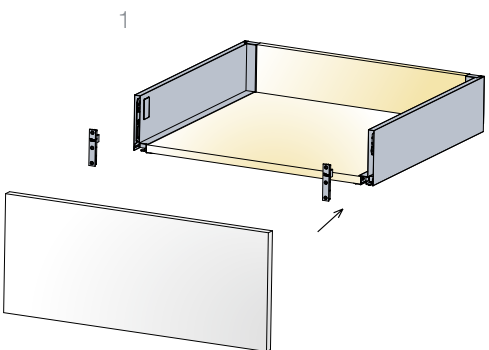
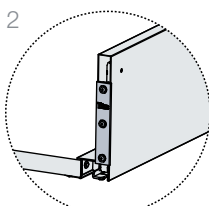

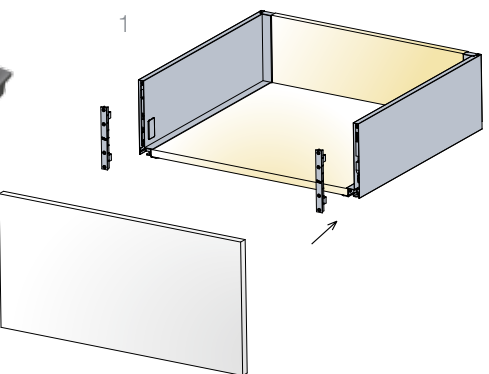
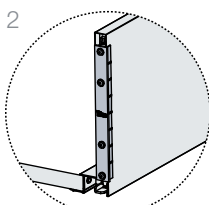
Depth adjustment



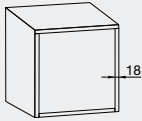


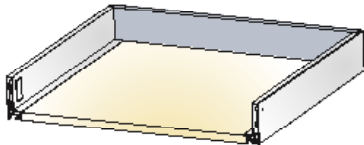


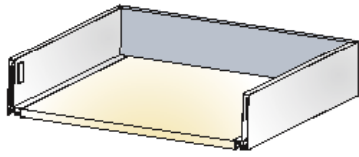


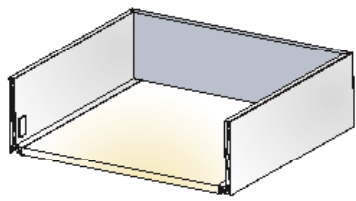

Accessories

Marking Jig



		Item number	Black
<p>Marking jig for Tekform Slimline drawer DW70</p>    <p>1 set Made of plastic and steel</p>		655-8016 →	390
<p>Marking jig for Tekform Slimline drawer DW100</p>    <p>1 set Made of plastic and steel</p>		655-8017 →	390
<p>Marking jig for Tekform Slimline drawer DW145 and DW182</p>    <p>1 set Made of plastic and steel</p>		655-8018 →	390

Steel Back Panel

		External cabinet width	Cabinet side Thickness=18mm 	 Antracite grey
			Item number	
Steel back panel DW70		600	655-7L60 →	185
		800	655-7L80 →	185
				
Mounting → see page 3.47				
 10 pcs	Made of steel			
Steel back panel DW145		600	655-7M60 →	185
		800	655-7M80 →	185
				
Mounting → see page 3.47				
 10 pcs	Made of steel			
Steel back panel DW182		600	655-7H60 →	185
		800	655-7H80 →	185
				
Mounting → see page 3.47				
 10 pcs	Made of steel			

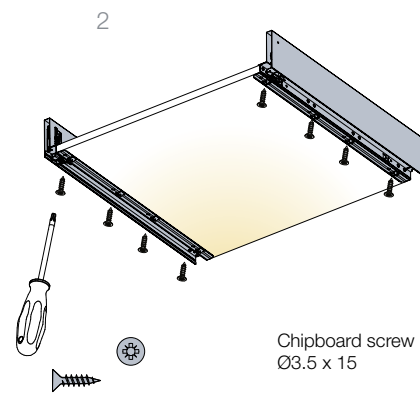
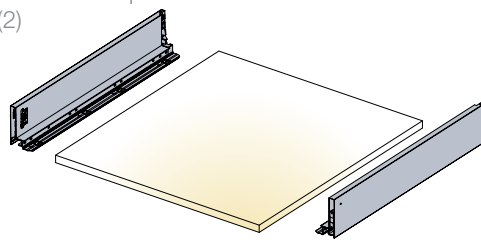
Assembly Instructions



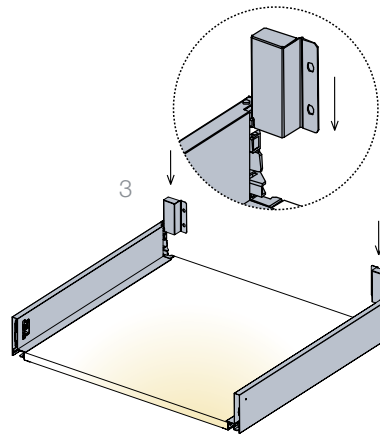
Screws are not included

Assembly Sequence

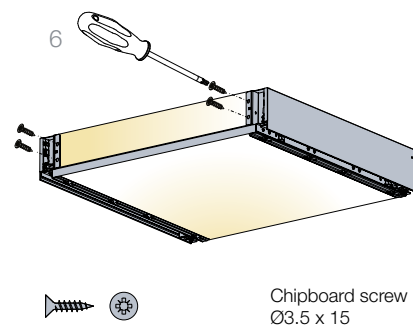
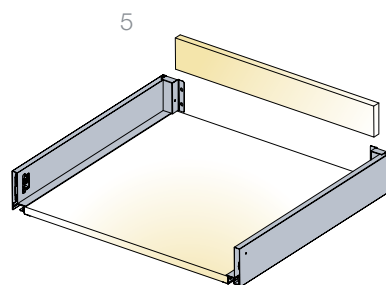
Connect the drawer sides to the bottom panel (1) and fix it with screws (2)



Insert the rear connector vertically (3) and push it downwards into recess in the drawer side (4)



Insert the back panel (5) and fix it with screws (6)



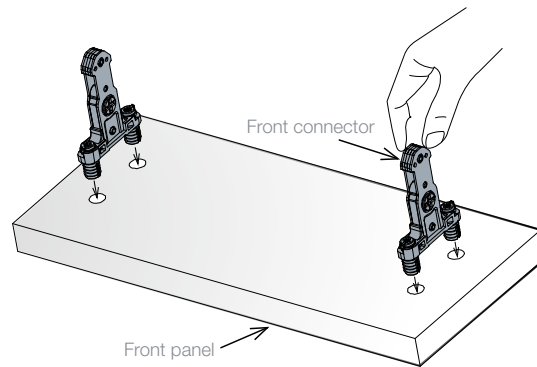


Screws are not included

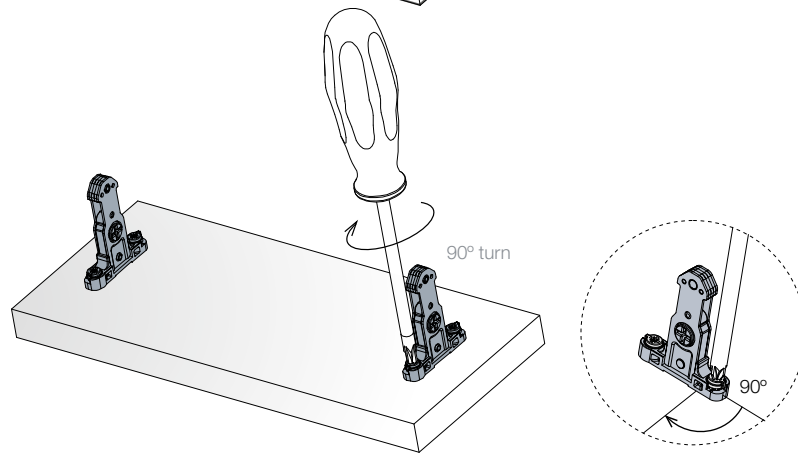
Insertion of Front Connectors

EasyFix

Insert the front connectors into holes on the front panel

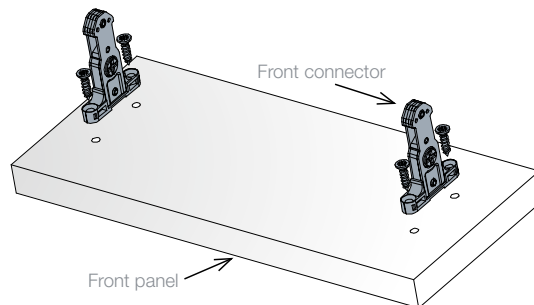


Turn the screws 90° into locked position

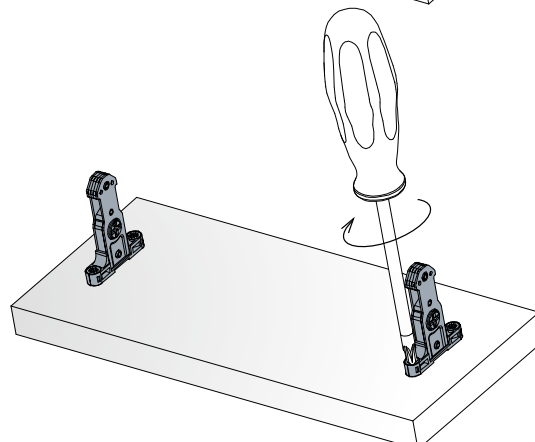


Screw-in fixing

Use Ø3 x 15mm screws for fixing



Chipboard screw
Ø3.5 x 15

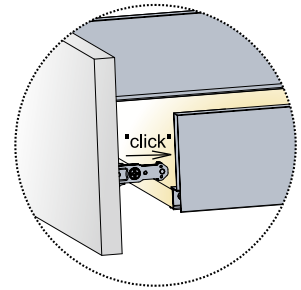
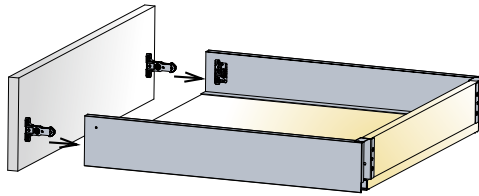


Assembly Instructions

Front Panel Mounting / Removal

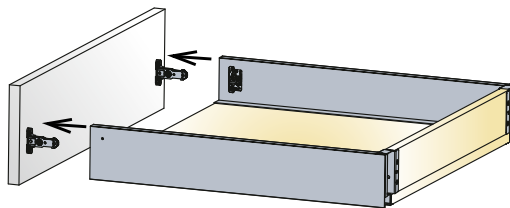
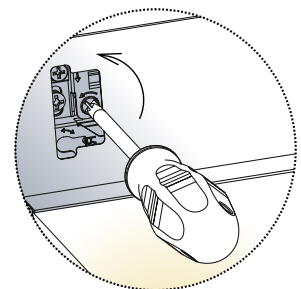
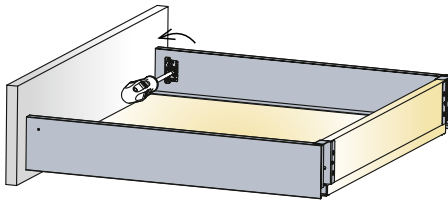
Mounting

Attach the front panel to the drawer and press to click



Removal

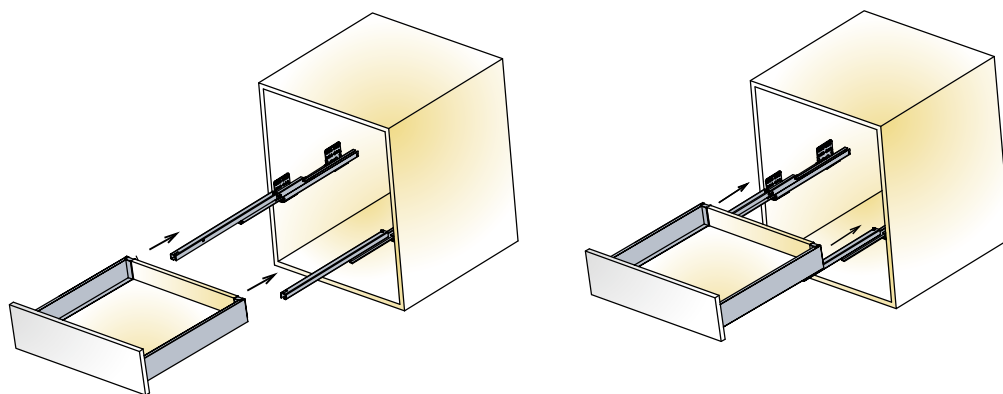
Turn the screw towards the front panel



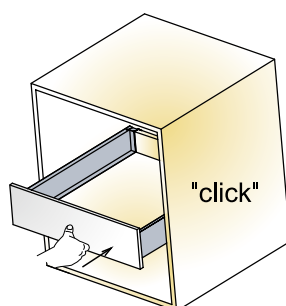
Drawer Insertion / Removal

Insertion

Place the drawer horizontally on the runners and push towards the cabinet until you hear the drawer is locked

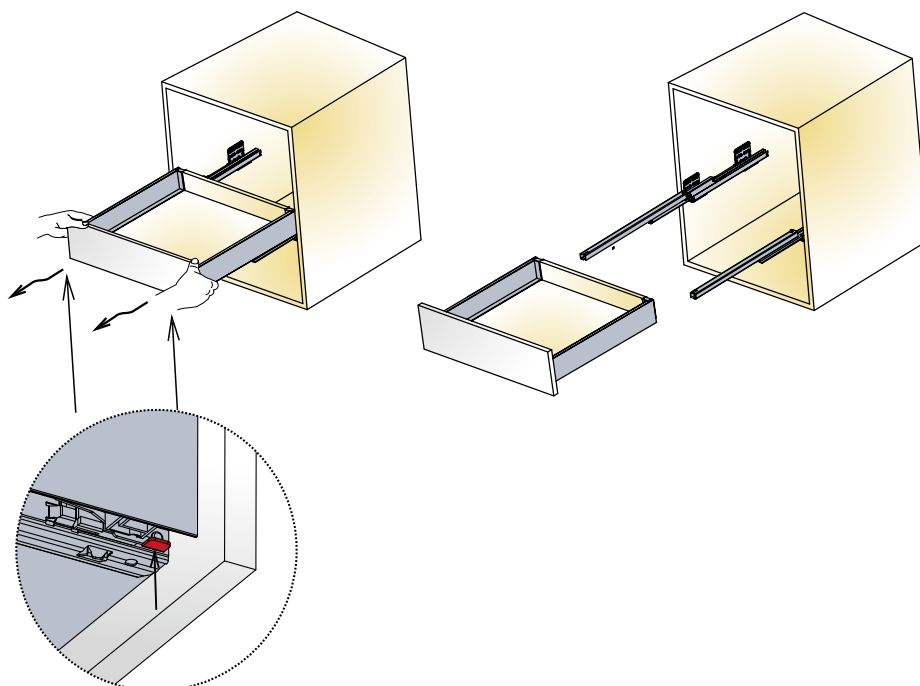


Push to fully close



Removal

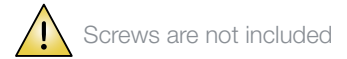
Press-up the button under the drawer. Keep pressed to pull the drawer out



Press-up

Accessories Mounting

Steel Back Panel



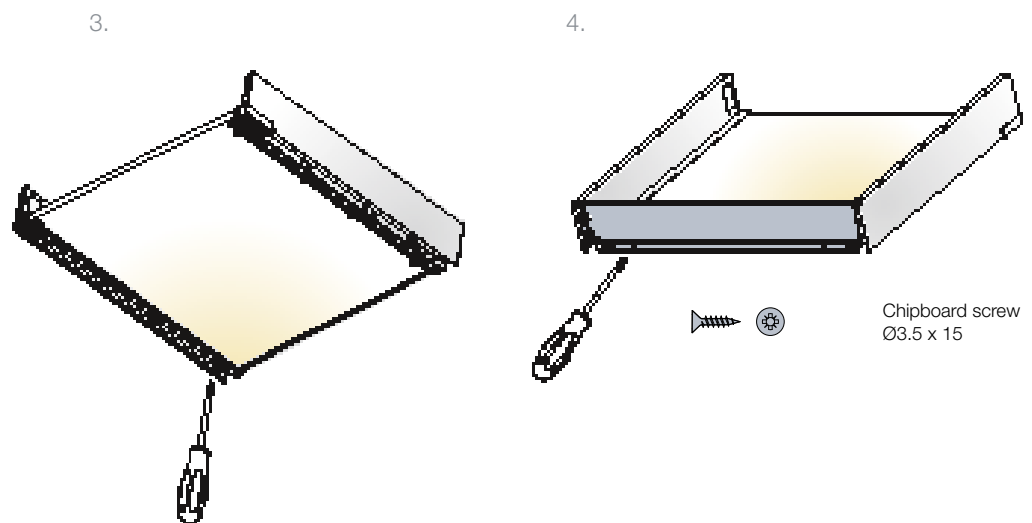
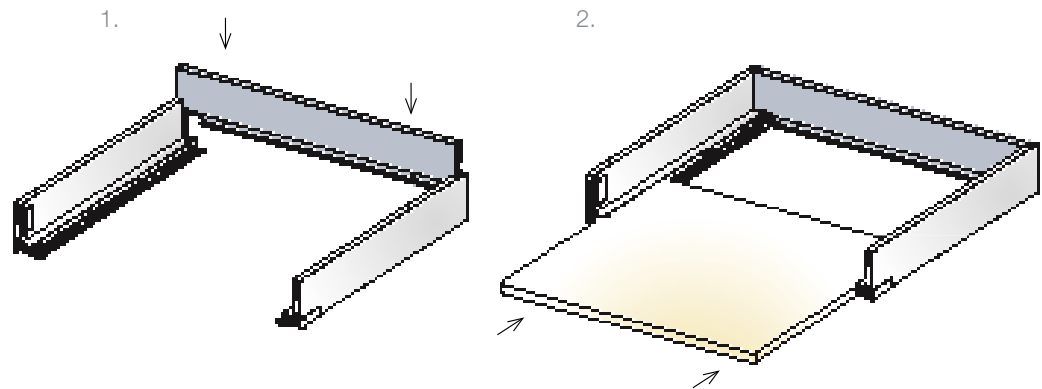
Assembly Sequence

Insert the steel back panel vertically and push it downwards into recess in the drawer sides (1)

Slide the bottom panel horizontally into recess at the bottom of drawer sides (2)

Fix the bottom panels with screws (3)

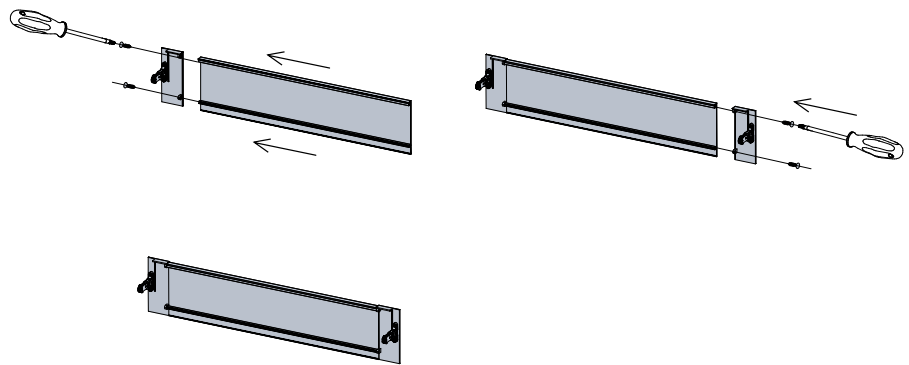
Fix the steel back panel with screws (4)



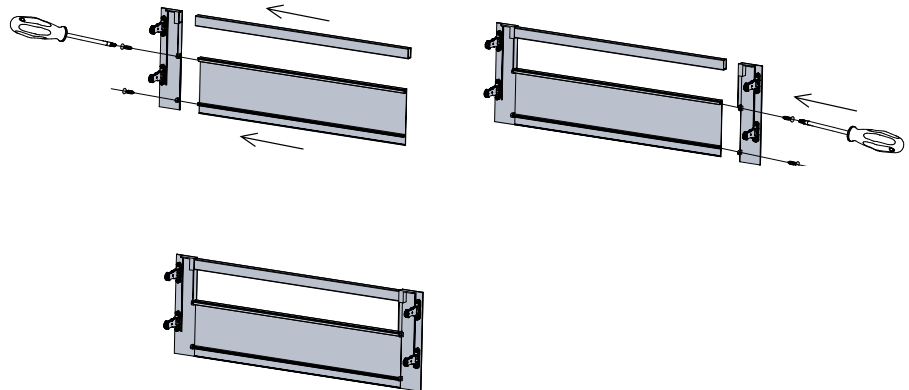
Inner Drawer Front

Assembly of Inner Drawer Front

Slimline DW70



Slimline DW145 and DW182
with bar



Slimline DW70, DW145 and
DW182 with glass

