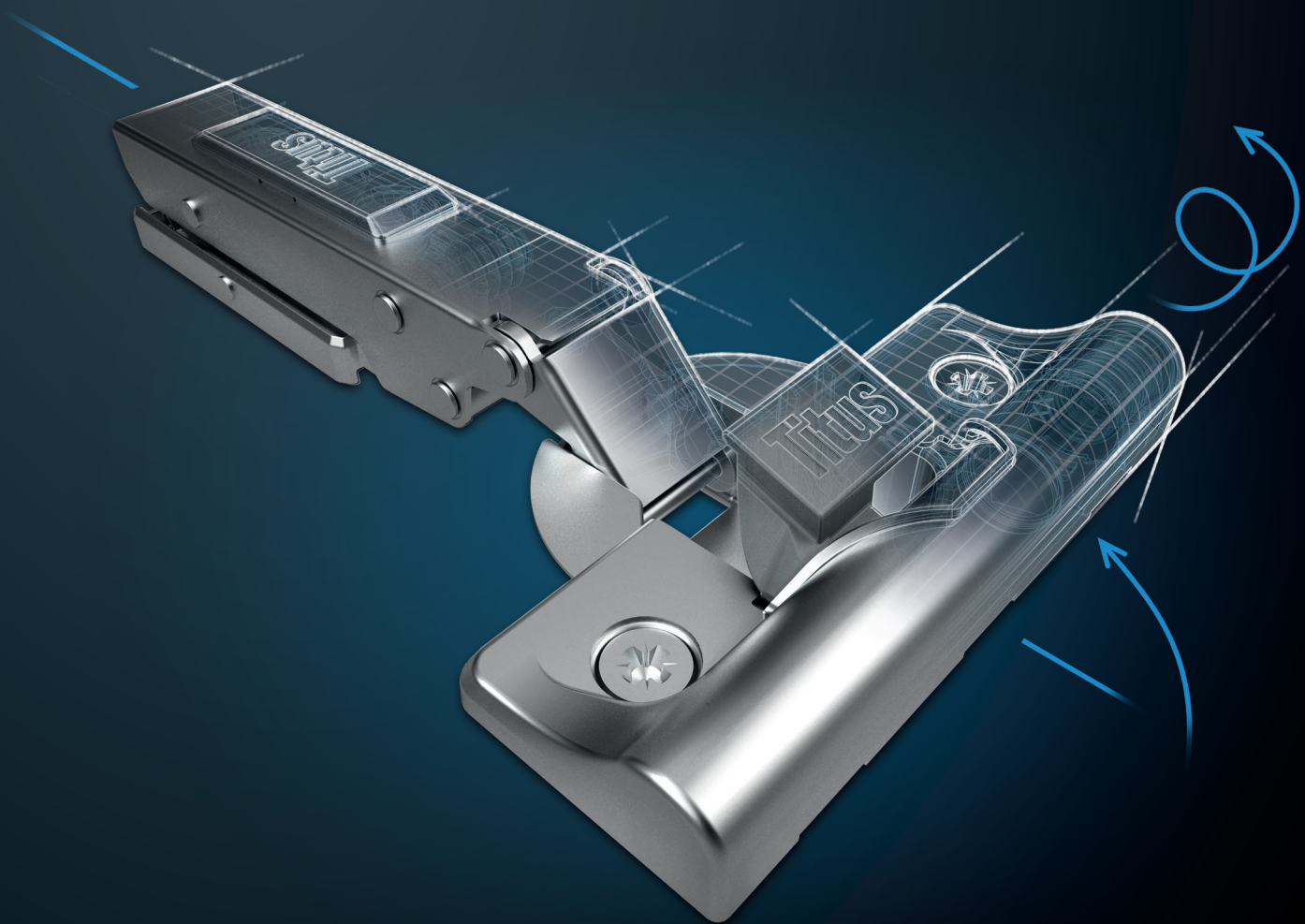


Titus New Generation Hinge



T-type

- Adjustable damping
- '3Way' snap-on
- Low hinge cup depth
- Highly tolerant

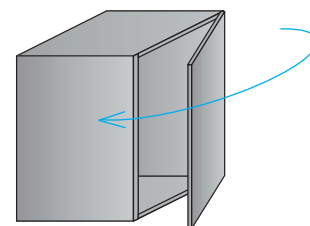
T-type

Titus New Generation Hinge

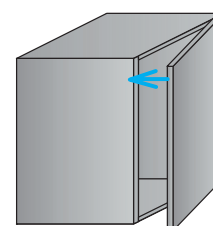
'ConfidentClose'

Fast closing

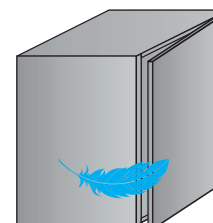
*The hinge is designed to provide consumer preferred way of soft closing action



Late start of deceleration action

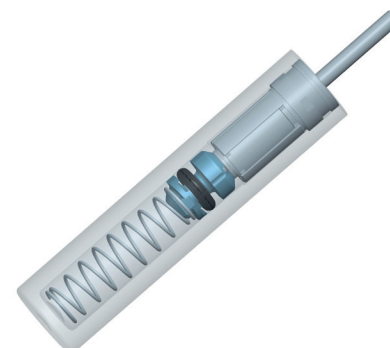


Quiet landing with 'SoftTouch'



'Titus Damper Inside'

- Titus proprietary multi-purpose damping technology
- Reliable and consistent life-long damping
- No rebound



Proven concept of soft closing in the hinge cup

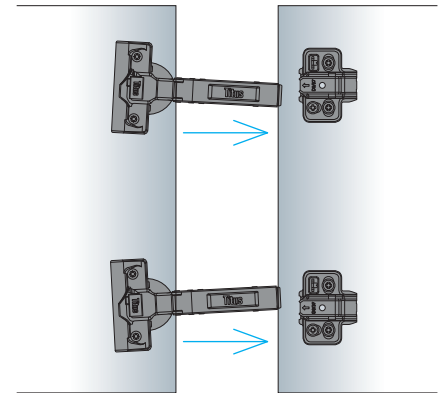
- Damper is positioned transversal on the hinge cup
- Reliable performance



Highly tolerant

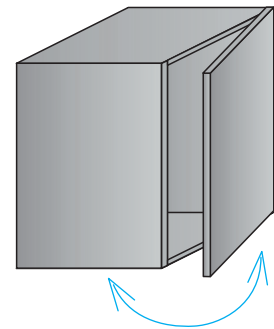
Efficient performance in marginal values of tolerances

- Reliable door closing in case of accidental misalignment
- 'ConfidentClose' assured



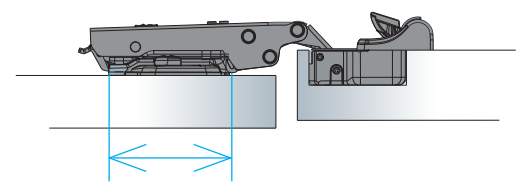
Reliability

- Consistent performance on door of different sizes and weights
- Life-time service



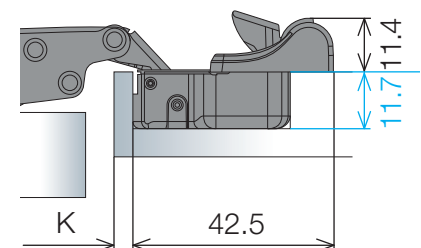
Rigidity

- Hinge-to-plate attachment assures stability and rigidity
- Smooth performance



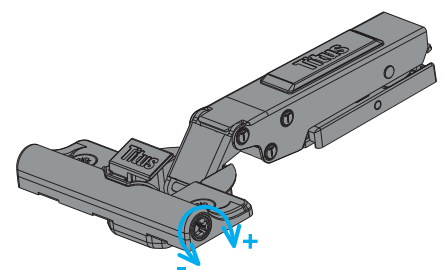
Low hinge cup drilling depth

Enables application on door thick from 15mm on



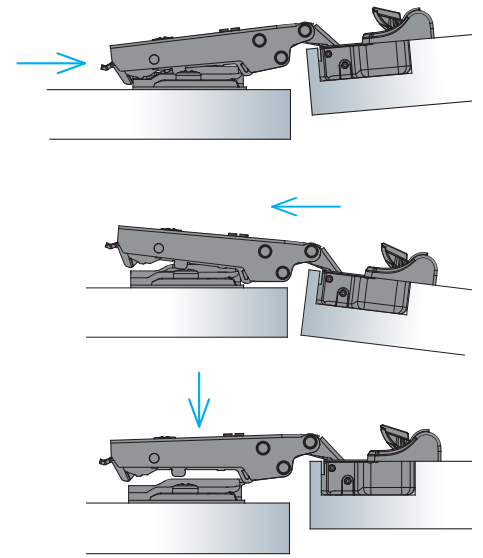
Adjustable damping

- Consistent performance on doors of different dimensions and weights
- Intuitive adjustment procedure



'3Way' snap-on

- Allows for intuitive hinge-to-plate mounting in three directions
- Enhanced mounting experience



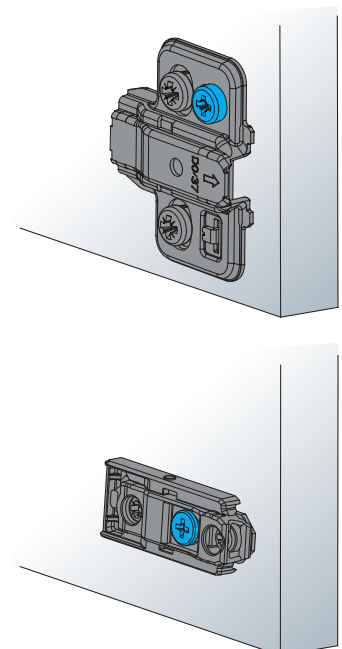
Easy door installation even in cases of 4-5 hinges per door



Cam adjustable mounting plates

Linear and cruciform mounting plates

- Easily accessible height adjustment with cam
- Consumer friendly hinge-to-plate attachment



Sleek design

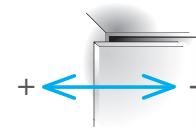
- 3rd Generation Glissando style
- Form follows function



Precise door alignment

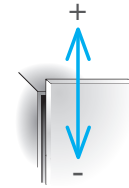
Side adjustment

+3/-1mm



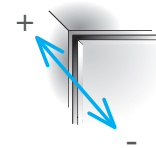
Height adjustment

+2/-2mm



Depth adjustment

+4/-1mm



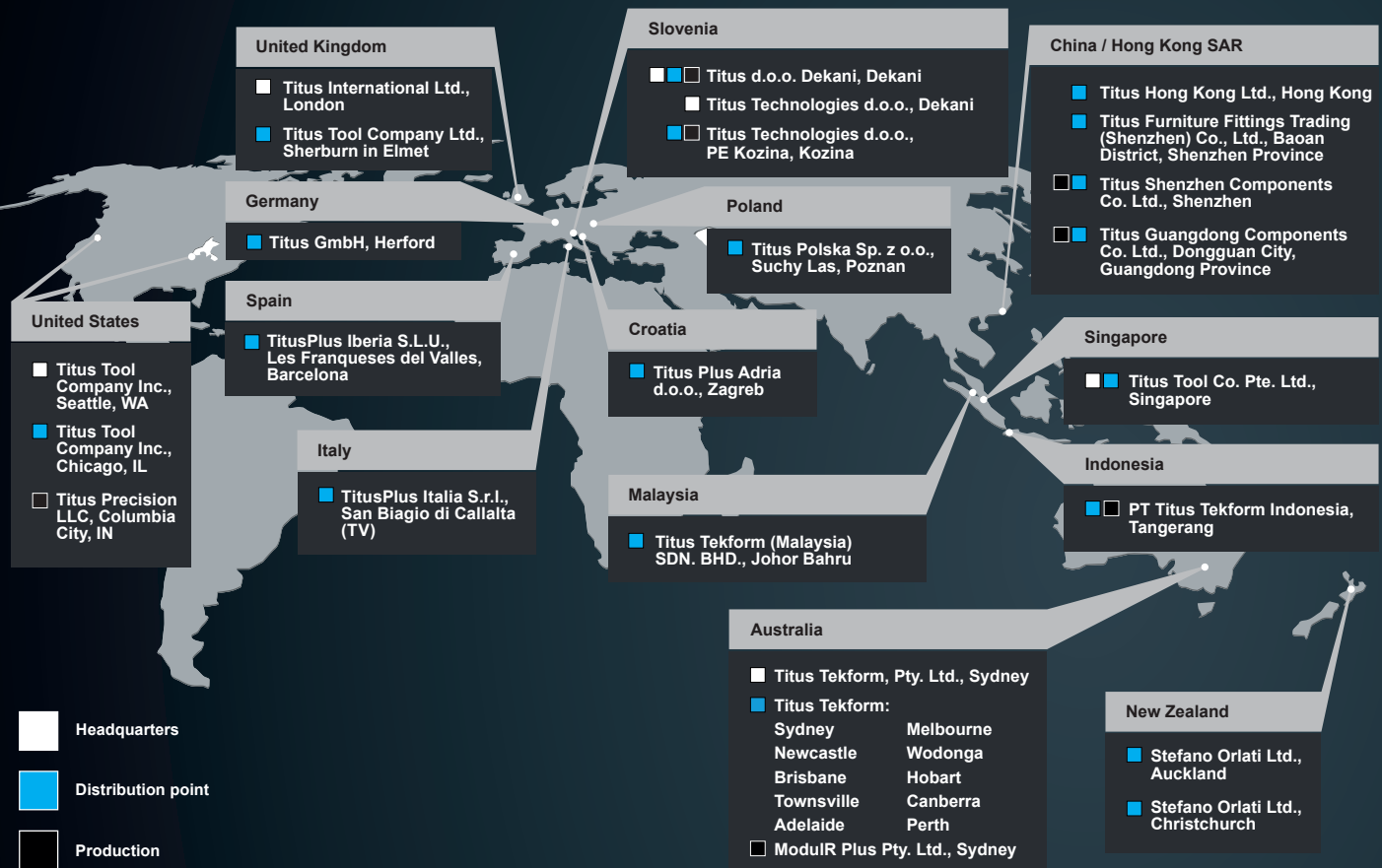
Technical details

T-type hinge

Opening angle	110°, 120°, 170°
Hinge cup drilling depth	12mm
Hinge cup drilling pattern	45/9.5mm, 48/6mm
Hinge constant	13mm
Door Tab K	3-6mm
Maximum overlay	19mm
Hinge arms	full overlay, half overlay, inset corner applications
Fixing	screw-on ready, euro screws, wood screws, dowels for machine insertion, expando dowels, 'EasyFix'

'3Way' mounting plate

Type	cruciform, linear
Height	0-1-2-3-4mm
Fixing	screw-on ready, euro screws, wood screws, dowels for machine insertion, expando dowels



Europe

Titus d.o.o. Dekani

Dekani 5
SI-6271 Dekani
Slovenia
+386 5 6690 101
+386 5 6690 205 Fax
info@titusplus.com

Titus Technologies d.o.o.

Dekani 5
SI-6271 Dekani
Slovenia
+386 5 6690 422
technologies@titusplus.com

Titus Technologies d.o.o., PE Kozina

OIC Hrpelje 36
SI-6240 Kozina
Slovenia
+386 5 6690 422
technologies@titusplus.com

Titus Plus Adria d.o.o.

Ulica Kreše Golika 3
HR-10090 Zagreb
Croatia
+385 1 3323 033
+385 1 3323 233 Fax
croatia@titusplus.com

Titus Polska Sp. z o.o.

Ul. Stefańskiego 17 A
PL-62-002 Suchy Las/Poznań
Poland
+48 61 811 5402 Phone/Fax
+48 61 811 5684 Phone/Fax
+48 61 821 9362
poland@titusplus.com

TitusPlus Italia S.r.l.

Via Aquileia 9
Frazione Olmi
IT-31048 San Biagio di Callalta (TV)
Italy
+39 04 221 650 120
+39 04 221 650 136 Fax
italia@titusplus.com

TitusPlus Iberia SLU

C/ Luxemburg 16
ES-08520 Les Franqueses del Valles
Spain
+34 938 715 404
+34 938 605 498 Fax
iberia@titusplus.com

Titus GmbH

Lübberlindenweg 12
DE-32049 Herford
Germany
+ 49 5221 1024880
germany@titusplus.com

Titus Tool Company Ltd.

10 Blackburn Industrial Estate
Enterprise Way
Sherburn in Elmet
LS256NA
United Kingdom
+ 44 1977 682582
+ 44 1977 680481 Fax
uk@titusplus.com

America

Titus Tool Company Inc.

2800 156th Avenue SE
Suite 135
Bellevue, WA 98007
USA
+1 800 762 1616 Toll free
+1 425 746 2080
+1 425 746 2344 Fax
usa@titusplus.com

Titus Tool Company Inc.

11056 W. Addison Street
Franklin Park, IL 60131
USA
+1 800 762 1616 Toll free
+1 425 746 2080
+1 425 746 2344 Fax
usa@titusplus.com

Titus Precision LLC

900 W Connexion Way
Columbia City, IN 46725
USA
+1 260 244 6114
+1 425 746 2080
+1 425 746 2344 Fax
usa@titusplus.com

Australia and New Zealand

Titus Tekform Pty Ltd

83 Jedda Road
Prestons NSW 2170
Australia
+61 2 9286 0007
+61 2 9286 0074
info@titustekform.com.au
www.titustekform.com.au

Stefano Orlati Ltd

34 Waipareira Avenue
Henderson
Auckland
New Zealand
+64 9 837 0886
+64 9 837 8003 Fax
stefano-orlati@titusplus.com
www.stefano-orlati.co.nz

Asia

Titus Tool Co. Pte. Ltd.

5004 Ang Mo Kio Ave 5
Techplace II #04-01
Singapore 569872
Singapore
+65 6383 3922
+65 6383 3178 Fax
singapore@titusplus.com

Titus Guangdong

Components Co. Ltd.
Room 101, Building No. 1
No. 358 Daxing Road
Yangwu Village, Dalingshan Town
Dongguan City
Guangdong Province
China
+86 769 85659801 803
china@titusplus.com

Titus Shenzhen Components Co. Ltd.

1st Floor Building No. 2
Heng Changrong High-tech
Industrial Park
ShangNan South Road
Shangjiin Street
Bao'an District
Shenzhen City
Guangdong Province
China
+86 755 8348 0916
+86 8359 2676
china@titusplus.com

Titus Tekform Indonesia, PT

Taman Teknoblok L2 No. 7
Bumi Serpong Damai Sektor XI
15314 Tangerang
Indonesia
+62 21 70753578
+62 21 75873574 Fax
indonesia@titusplus.com

Headquarters

Titus International Ltd

28 Fitzroy Square
W1T 6DD London
United Kingdom
+44 20 8004 8083
info@titusplus.com
www.titusplus.com

Titus

info@titusplus.com | www.titusplus.com